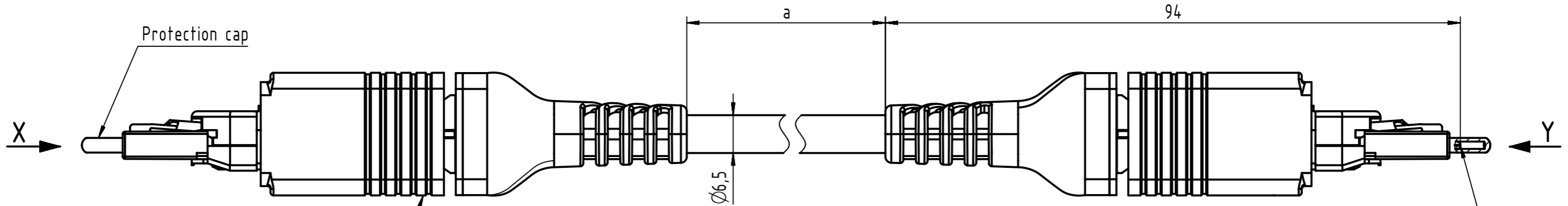


Connector Location A

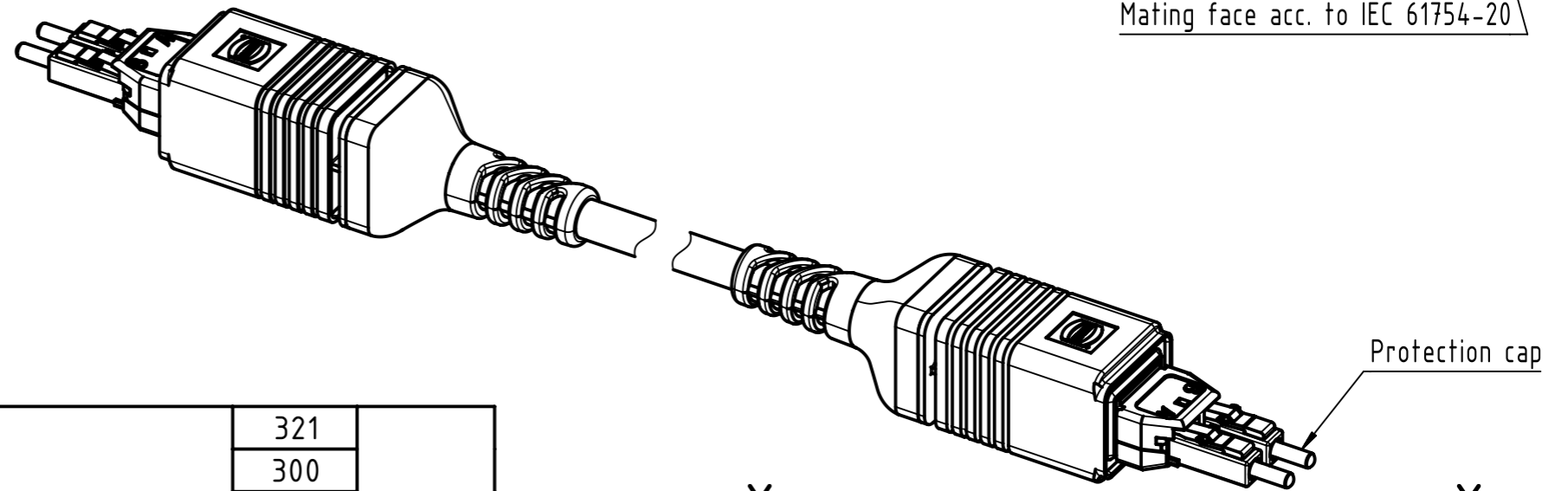
Connector Location B



HARTING PushPull LC Duplex (overmolded)

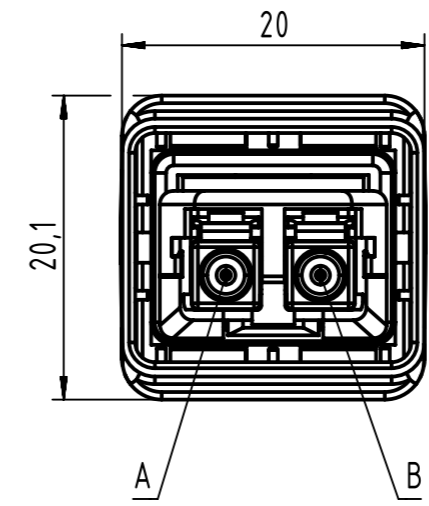
Mating face acc. to IEC 61754-20

-Protection level: IP67/65
-Temperature range: -40°C ...+70°C



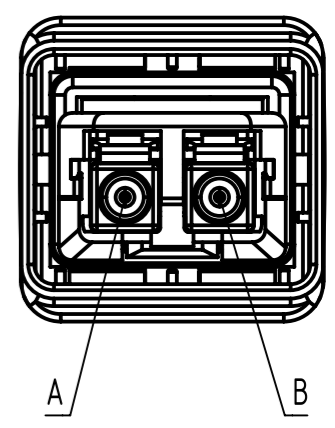
X
(without protection cap)

Y
(without protection cap)



Loading-Plan

A — blue — B
B — orange — A



20	33582313210015		321	± 1%
19	33582313000015		300	
18	33582312290015		229	
17	33582311480015		148	
16	33582311140015		114	
15	33582311100015		110	
14	33582311060015		106	
13	33582311000015		100	
12	33582310870015		87	
11	33582310730015		73	
10	33582310600015		60	
9	33582310500015		50	
8	33582310400015		40	
7	33582310300015		30	
6	33582310200015		20	
5	33582310100015		10	
4	33582310050015		5	
3	33582320410015		4.1	
2	33582310030015		3	
1	33582310010015		1	

Fiber optic breakout cable,
SM 9/125µm

Cont. no.	Part no.	Type of cable	Dim. a[m]
-----------	----------	---------------	-----------

	All rights reserved Department HCS - RO	Created by MUNTEANV	Inspected by POPESCU	Standardisation AVRAM	Date 2017-03-20	State Final Release
HARTING Customised Solutions D-32427 Minden		Title HARTING PushPull LC Cable Assembly		Number 335823XXXX0015		Doc-Key / ECM-Nr. 100201174/UGD/013/C 500000117006
		Type TB	Rev. C		Page 1/1	