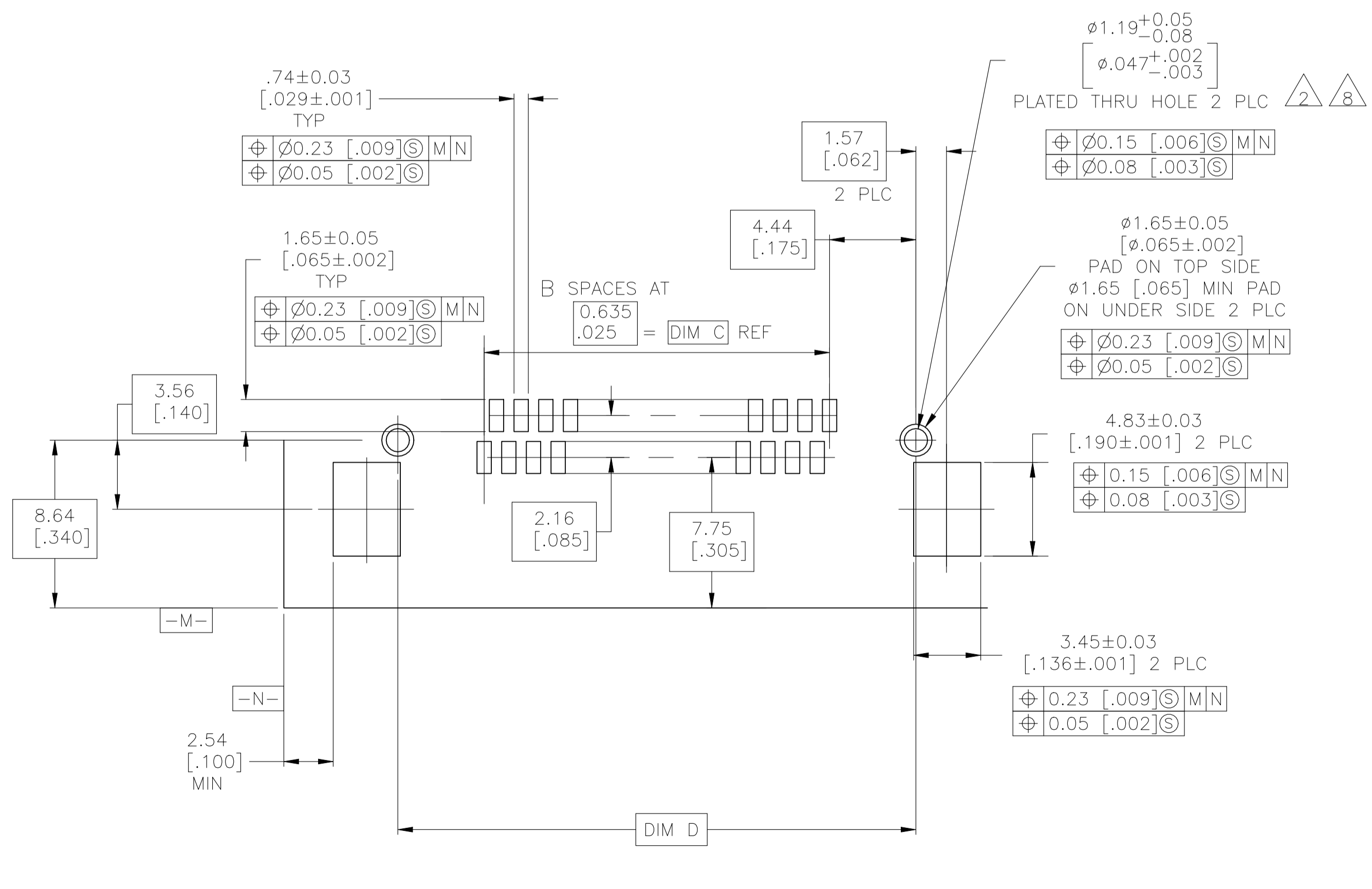
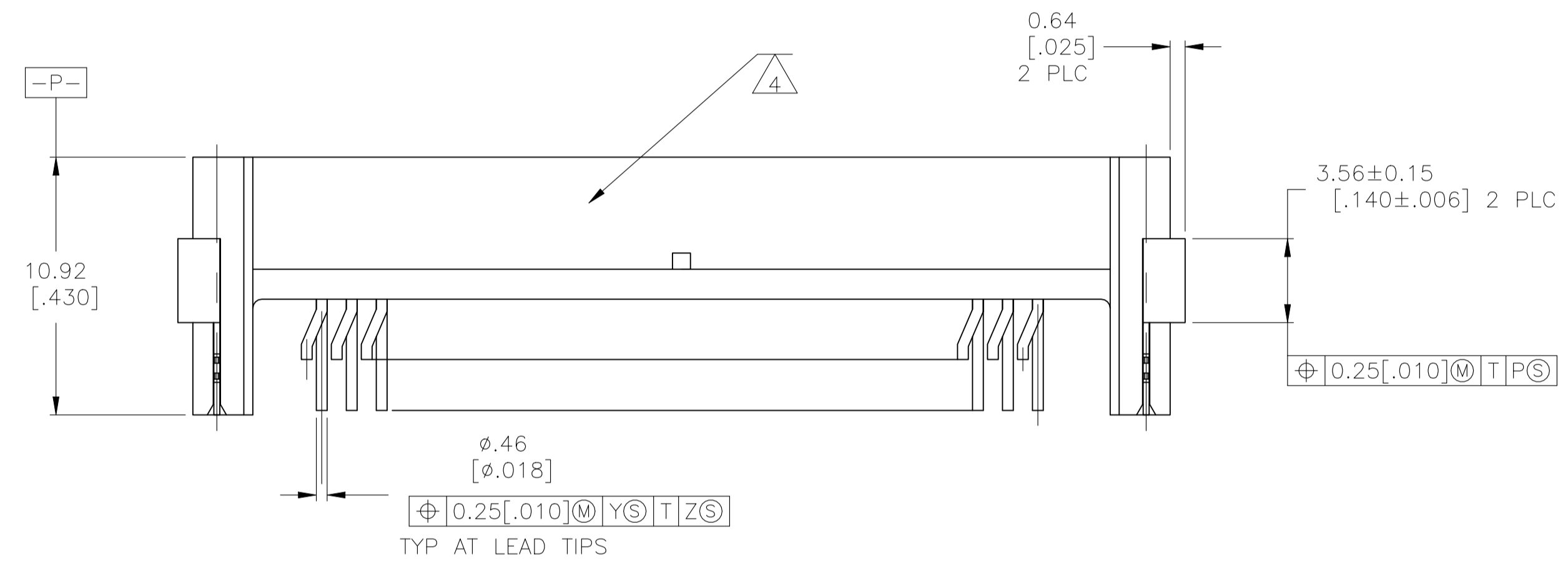
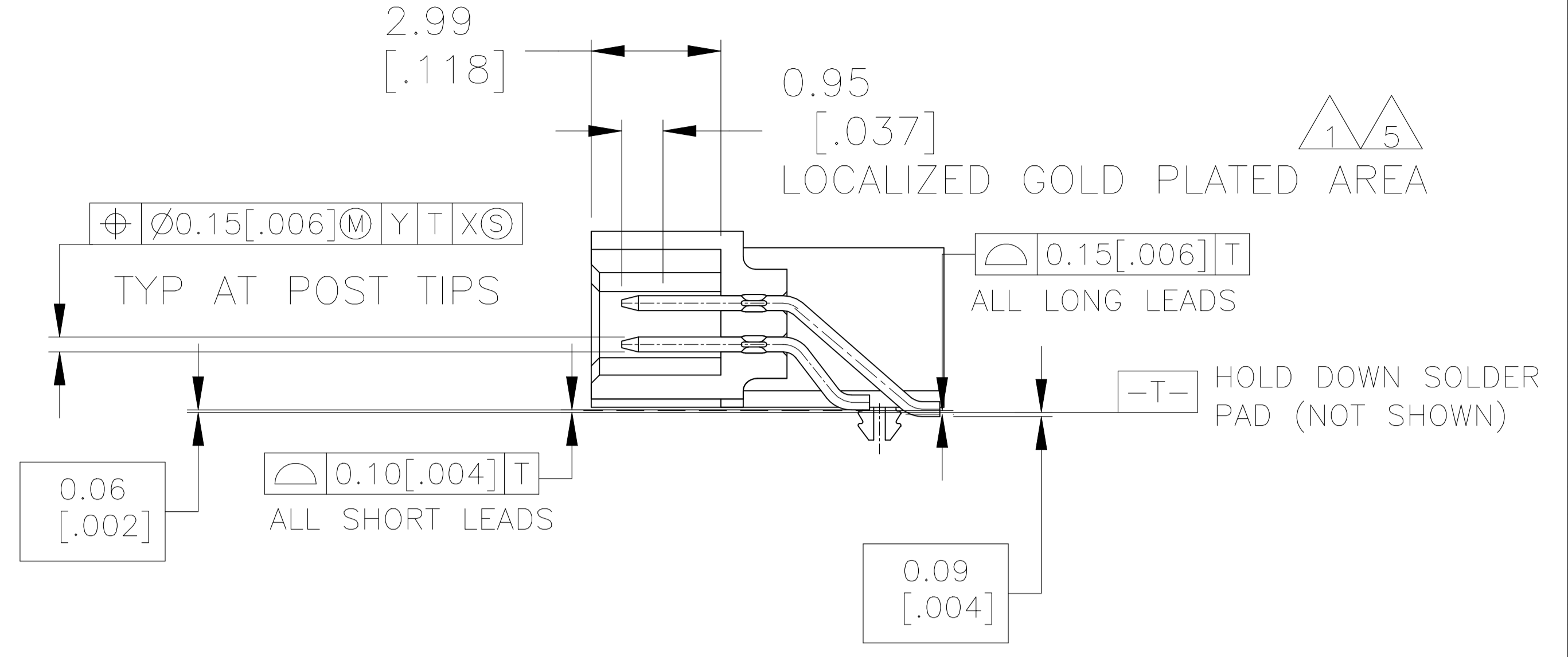
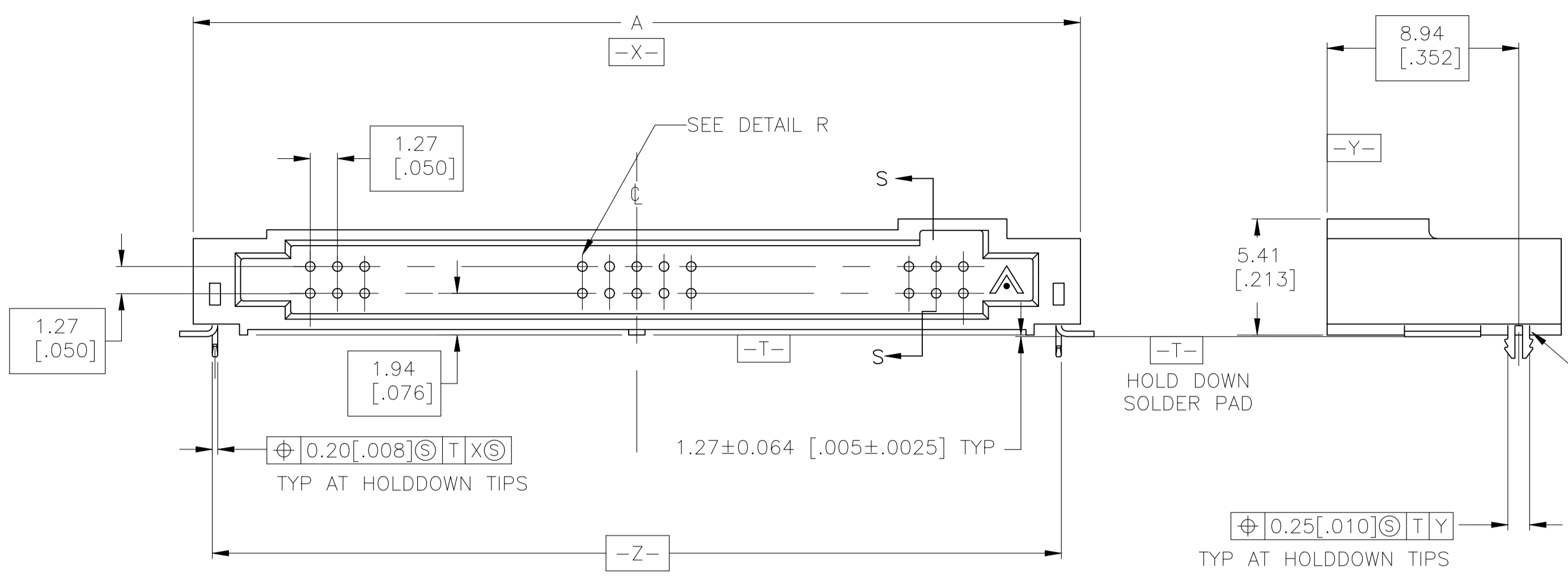


REVISIONS					
REV	DATE	BY	APP'D	DESCRIPTION	REVISED PER
K	22NOV2021	RK	JO	REVISED PER ECN-21-126745	



- 1 0.00076 [.000030] GOLD IN LOCALIZED PLATE AREA 0.00381 [.000150] TIN-LEAD ON SOLDER LEADS ALL OVER 0.00127 [.000050] NICKEL
- 2 USE 1.32±0.02 [.0520±.0010] DRILLED HOLE (#55 DRILL) FINISH TO BE TIN-LEAD OVER 0.02 [.001] MIN COPPER
- 3 PLATING: 0.0038 [.000150] TIN-LEAD OVER 0.00127 [.000050] NICKEL
- 4 SERRATIONS OPTIONAL THIS SURFACE.
- 5 0.00076 [.000030] GOLD IN LOCALIZED PLATE AREA 0.00381 [.000150] TIN ON SOLDER LEADS ALL OVER 0.00127 [.000050] NICKEL
- 6 PRELIMINARY PART - NOT RELEASED FOR PRODUCTION.
- 7 PLATING: 0.0038 (.00015) TIN OVER .00127 (.000050) NICKEL.
- 8 USE 1.32+/-0.02 (.052+/-0.0010) DRILLED HOLE (#55 DRILL) FINISH TO BE TIN OVER 0.02 (.001) MIN COPPER
- 9 ROHS 2002/95/EC COMPLIANT.
- 10 OBSOLETE PARTS: OBSOLETE CIS STREAMLINING PER D.RENAUD/D.SINISI

REV	DATE	BY	APP'D	DESCRIPTION	REVISED PER		
9	5	7	49	71.12 [2.800]	62.87 [2.475]		
5	7	44	64.77 [2.550]	56.52 [2.225]	89		
5	7	39	58.42 [2.300]	50.17 [1.975]	79		
5	7	34	52.07 [2.050]	43.82 [1.725]	69		
5	7	29	45.72 [1.800]	37.47 [1.475]	59		
5	7	24	39.37 [1.550]	31.12 [1.225]	49		
5	7	19	33.02 [1.300]	24.77 [0.975]	39		
5	7	14	26.67 [1.050]	18.42 [0.725]	29		
5	7	9	20.32 [0.800]	12.07 [0.475]	19		
5	7	4	13.97 [0.550]	5.72 [0.225]	9		
5	7	24	39.37 [1.550]	31.12 [1.225]	49		
5	7	14	26.67 [1.050]	18.42 [0.725]	29		
1	3	49	71.12 [2.800]	62.87 [2.475]	99		
1	3	44	64.77 [2.550]	56.52 [2.225]	89		
1	3	39	58.42 [2.300]	50.17 [1.975]	79		
1	3	34	52.07 [2.050]	43.82 [1.725]	69		
1	3	29	45.72 [1.800]	37.47 [1.475]	59		
1	3	24	39.37 [1.550]	31.12 [1.225]	49		
1	3	19	33.02 [1.300]	24.77 [0.975]	39		
1	3	14	26.67 [1.050]	18.42 [0.725]	29		
1	3	9	20.32 [0.800]	12.07 [0.475]	19		
1	3	4	13.97 [0.550]	5.72 [0.225]	9		
1	3	49	71.12 [2.800]	62.87 [2.475]	99		
1	3	44	64.77 [2.550]	56.52 [2.225]	89		
1	3	39	58.42 [2.300]	50.17 [1.975]	79		
1	3	34	52.07 [2.050]	43.82 [1.725]	69		
1	3	29	45.72 [1.800]	37.47 [1.475]	59		
1	3	24	39.37 [1.550]	31.12 [1.225]	49		
1	3	19	33.02 [1.300]	24.77 [0.975]	39		
1	3	14	26.67 [1.050]	18.42 [0.725]	29		
1	3	9	20.32 [0.800]	12.07 [0.475]	19		
1	3	4	13.97 [0.550]	5.72 [0.225]	9		
FINISH	NO. OF SPA (SEE DETAIL R)	D	C	B	A	NUMBER OF POSITIONS	PART NUMBER

BASIC DIMENSIONS FOR ODD NO OF SPACES (SEE TABLE)

DETAIL R

BASIC DIMENSIONS FOR EVEN NO OF SPACES (SEE TABLE)

RECOMMENDED BOARD LAYOUT
SCALE 5:1

THIS DRAWING IS A CONTROLLED DOCUMENT.

DIN 18-6-93 HERRINGTON
CIRK 24-6-93 P. SREMCICICH
APVD D. DUPLER 24-6-93 NAME

TE Connectivity

ASSEMBLY, HEADER, RIGHT ANGLE, DOUBLE ROW, AMPMODU 50/50 GRID CONNECTOR

108-1332

114-7010

00779C=104894

CUSTOMER DRAWING SCALE 5:1 SHEET 1 OF 1 REV K