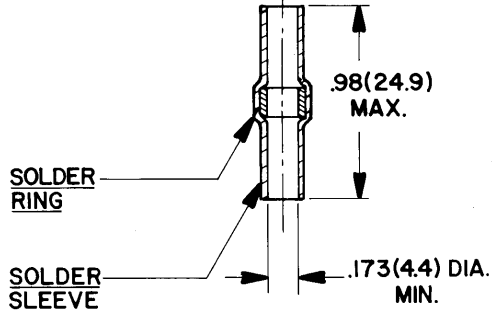
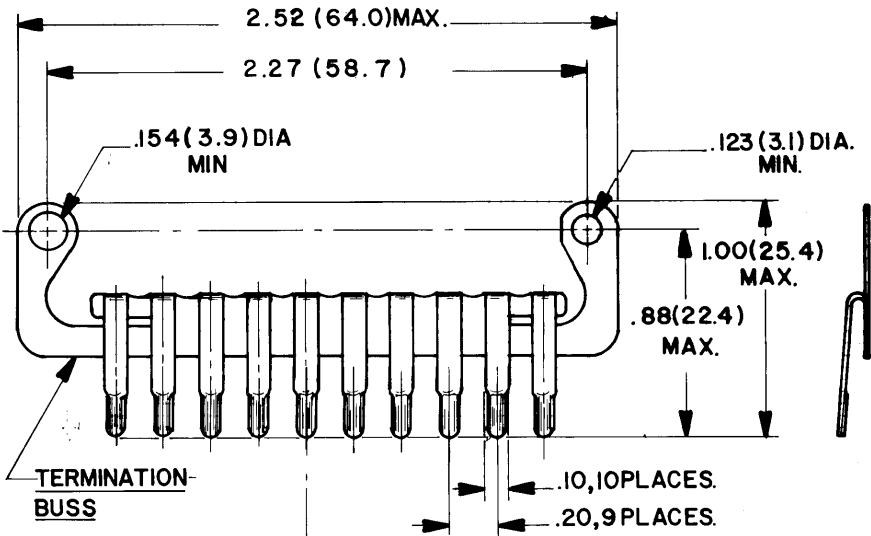


REVISIONS		DESCRIPTION	DATE	APPROVED
ZONE	LTR			
	A	INITIAL RELEASE DCO # 00175	4-10-79	MJD



NOTES:

- MATERIALS:**
 - 1-A TERMINATION BUSS; .020(0.5) THICK COPPER ALLOY PER QQ-C-533.
 - 1-B SOLDER SLEEVE; TRANSPARENT BLUE HEAT SHINKABLE RADIATION CROSS LINKED PVF₂.
 - 1-C SOLDER RING; SOLDER PREFORM WITH FLUX. TYPE: Sn63 SRAP PER QQ-S-571.
- FINISH:**
 - 2-A TERMINATION BUSS; TIN PLATED PER MIL-T-10727, TYPE I.
- THIS KIT IS DESIGNED TO TERMINATE CONDUCTOR SHIELDS TO Raychem MTC100 SERIES, 2 INCH CONNECTOR.**
- BUSS TABS AND SOLDER SLEEVE DESIGNED TO ACCOMODATE SHIELDED CABLE CONSTRUCTION NOT TO EXCEEDING .152(3.8) DIA. MAX.**
- THIS KIT CONSISTS OF THE FOLLOWING:**
 - 5-A (1) SHIELD TERMINATION BUSS.
 - 5-B (10) CTA-0024, SOLDER SLEEVE WIRE TERMINATORS.

CONNECTOR SPECIFICATION CONTROL DRAWING

UNLESS OTHERWISE SPECIFIED DIMENSIONS ARE IN INCHES. BRACKETED DIMENSIONS () ARE METRIC AND TOLERANCES ARE: .XXX: ± .005 (0.1) .XX: ± .02 (0.5) Δ: ±	DRAWN	SA. LOPEZ	4-10-79	<p>Raychem</p> <p>RAYCHEM CORPORATION 300 CONSTITUTION DRIVE MENLO PARK, CALIFORNIA 94025</p>		
	CHECKED	Hagman	4-10-79			
	APPROVED	MJD	4-10-79			
	APPROVED	SLR	4-10-79			
				TITLE		
				2" SHIELD TERMINATION BUSS KIT		
				LOW TEMP 125°C (Sn63) MTC100 SERIES		
				SIZE	CODE IDENT	DWG. NO.
				B	NO. 06090	CTA-0023
	PROJECT	6448 - 7055		WEIGHT	SHEET	1 OF 1

If this document is printed it becomes uncontrolled.
Check with the web for latest revision.

DO NOT SCALE THIS DRAWING