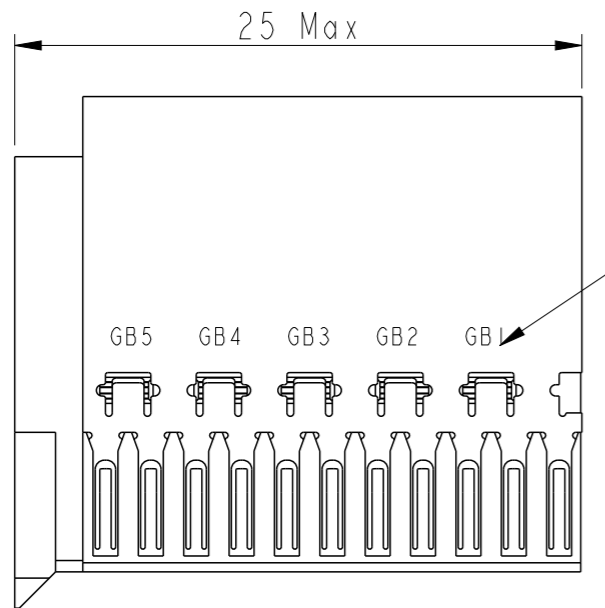


PART NUMBER	GRNDBAR 1 POS.	GRNDBAR 2 POS.	GRNDBAR 3 POS.	GRNDBAR 4 POS.	GRNDBAR 5 POS.
10127169-101LF	2A, 3B, 2C, 3D, 2E	5A, 4B, 5C, 4D, 5E	6A, 7B, 6C, 7D, 6E	9A, 8B, 9C, 8D, 9E	10A, 11B, 10C, 11D, 10E
10127169-102LF	NIL	NIL	NIL	NIL	NIL

ABOVE TABLE SHOWS CONNECTED GROUND POSITIONS OF INDIVIDUAL GROUNDBARS

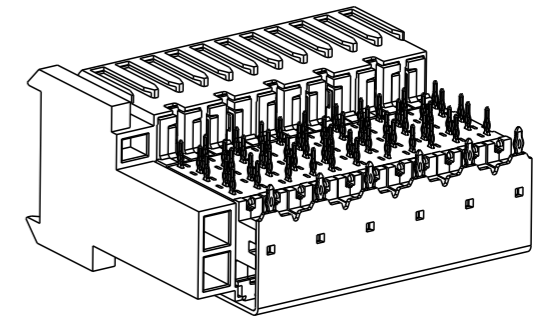
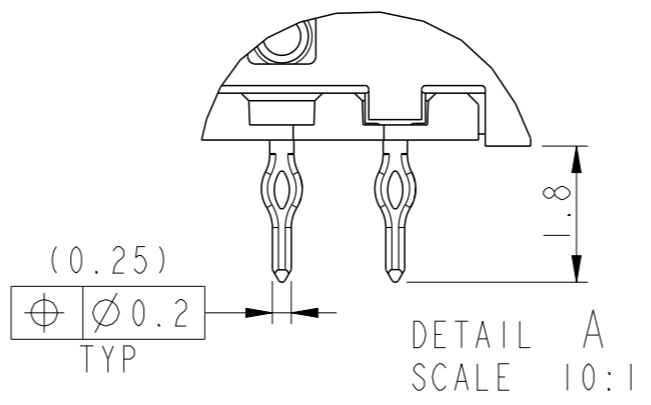
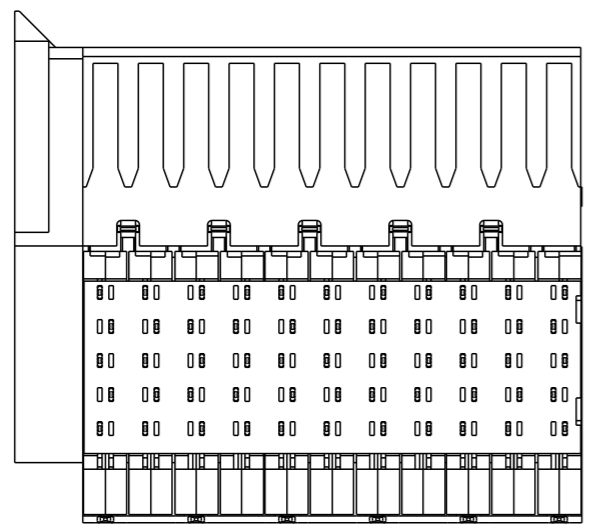
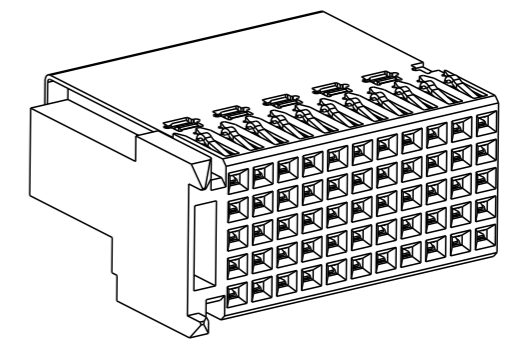
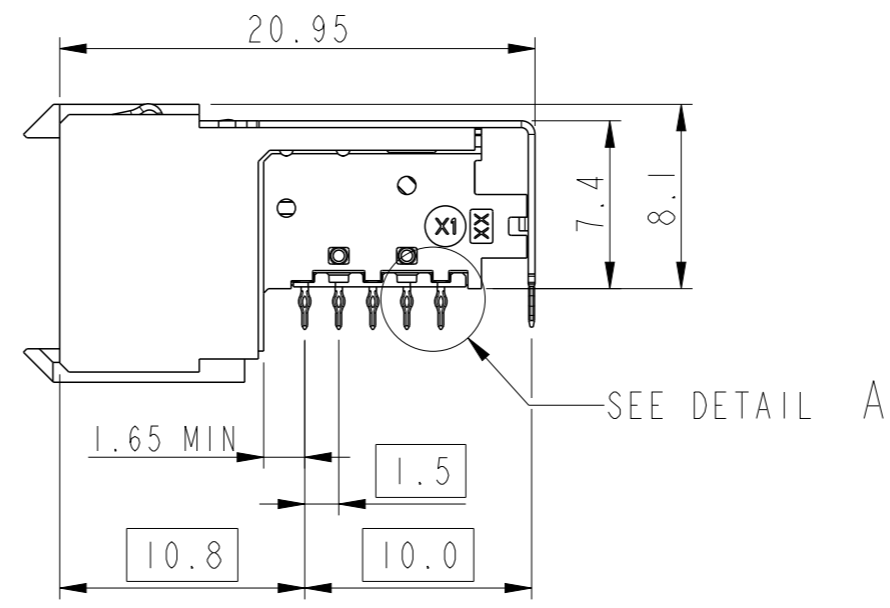
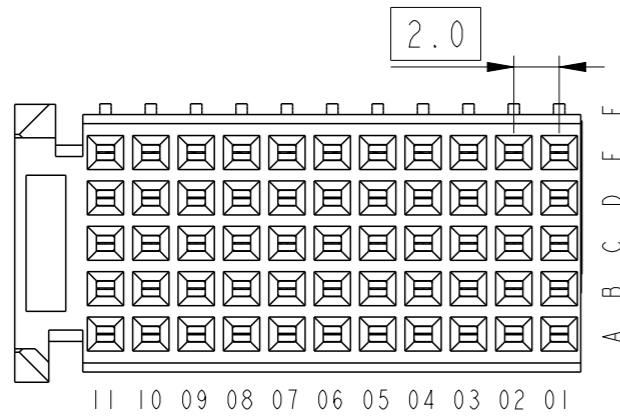


PINNING CONFIGURATION

F	G	G	G	G	G	G	G	G	G	G	G
E	G	G	HS	HS	G	G	HS	HS	G	G	LS
D	HS	HS	G	G	HS	HS	G	G	HS	HS	G
C	G	G	HS	HS	G	G	HS	HS	G	G	LS
B	HS	HS	G	G	HS	HS	G	G	HS	HS	G
A	G	G	HS	HS	G	G	HS	HS	G	G	LS
Z	0	0	0	0	0	0	0	0	0	0	0

01 11

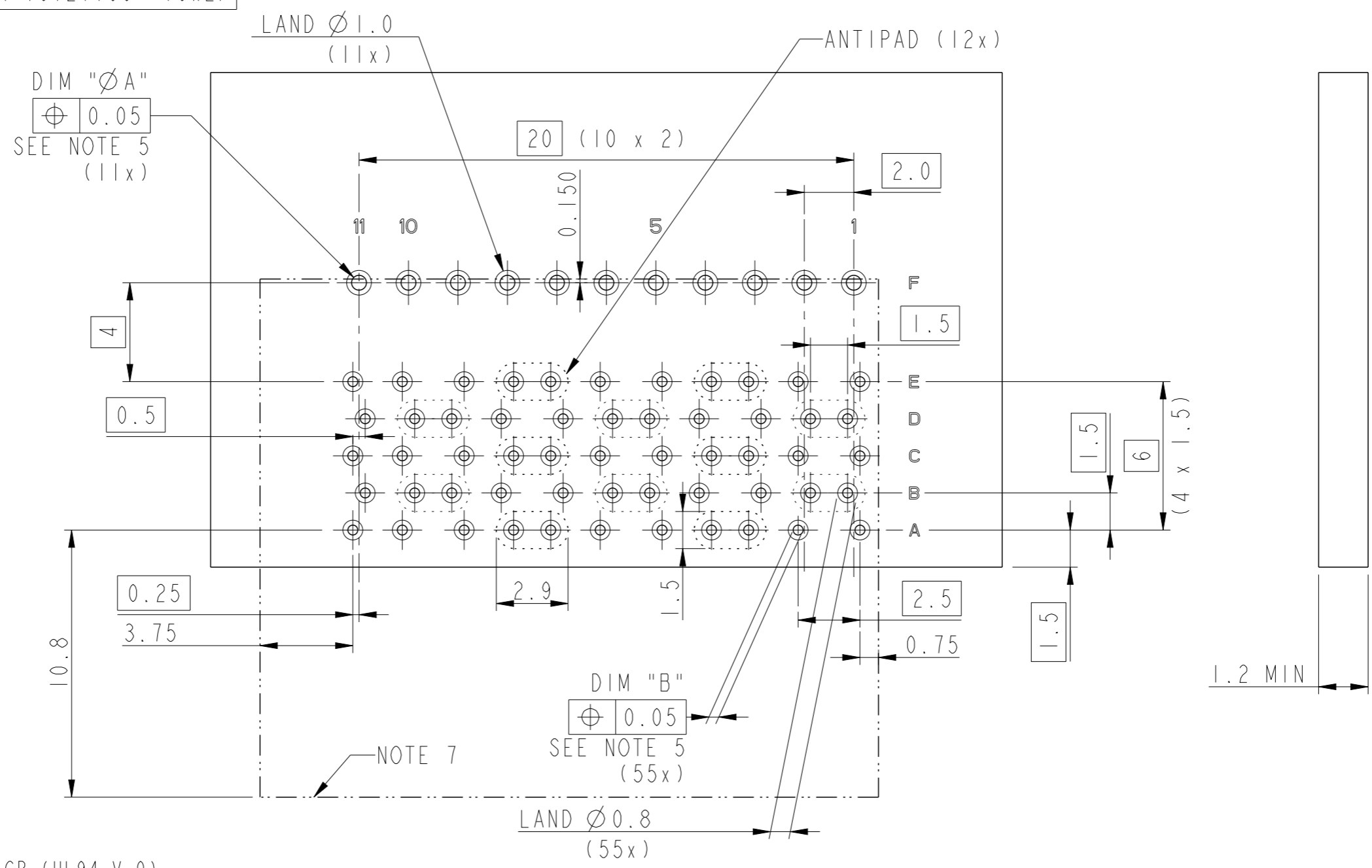
HS	HIGH SPEED SIGNAL
LS	LOW SPEED SIGNAL
G	GROUND
0	EMPTY



spec ref	-	dr	Binesh C	2016/04/07	projection	MM	size	A3	scale	2:1		
tolerance std	ISO 406 ISO 1101	eng	Alex Babu	2019/05/09			ecn no	ELX-I-33137-1	rel level	Released		
TOLERANCES UNLESS OTHERWISE SPECIFIED		chr	-	product family							MILLIPACS	
surface	linear	appr	K-Paul Biju	2019/05/09			TYPE-C RECEPTACLE ASSEMBLY		dwg no	10127169	rev	D
ISO 1302	angular			cat. no.	10127169-10xLF	Product - Customer Drw		sheet 1 of 2				

PART NUMBER

RECOMMENDED PCB LAYOUT FOR 10127169 -10xLF



NOTES:

1. Materials
 - Housing & Impls: LCP (UL94 V-0)
 - Leadframe: Copper alloy
2. Finish
 - Contact area: Ni underlayer with Au or GXT top layer(Performance Level-2)
 - EON area: Ni underlayer with Sn top layer
3. Mates with IEC 61076-4-101 series 2mm HM headers with contact mating level 1 & 2 in signal rows. Outer shielding row of receptacle can mate with level 1,2 & 3 header contacts.
4. Mounting style: Press-fit, flat rock insertion
5. Refer below table for Recommended plated through hole dimensions.
6. Groundbar positions indicated by "GBx".
7. Connector spacing

RECOMMENDED PLATED THROUGH HOLE DIMENSIONS

DIM	FINISHED HOLE DIA	Cu. THICKNESS	Sn THICKNESS	DRILLED HOLE DIA
B	0.35-0.45	0.02-0.05	0.0008-0.0012	0.45-0.49
A	0.55-0.65	0.02-0.05	0.0008-0.0012	0.65-0.69

spec ref	-	dr	Binesh C	2016/04/07	projection	MM	size	A3	scale	5:1			
tolerance std	ISO 406 ISO 1101	eng	Alex Babu	2019/05/09		←→	ecn no	ELX-I-33137-1					
TOLERANCES UNLESS OTHERWISE SPECIFIED		chr	-	appr			K-Paul Biju	2019/05/09	product family	MILLIPACS			
surface	linear	0.X	±0.30			TYPE-C RECEPTACLE ASSEMBLY MILLIPACS HS		rel level	Released				
		0.XX	±0.20					dwg no	10127169		rev	D	
		0.XXX	±0.15					cat. no.	10127169-10xLF		Product - Customer Drw		sheet 2 of 2
	angular	0°	±3°										

Amphenol FCI

© 2016 AFCI