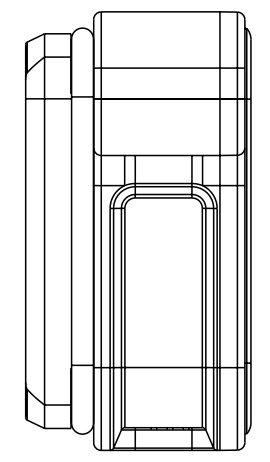
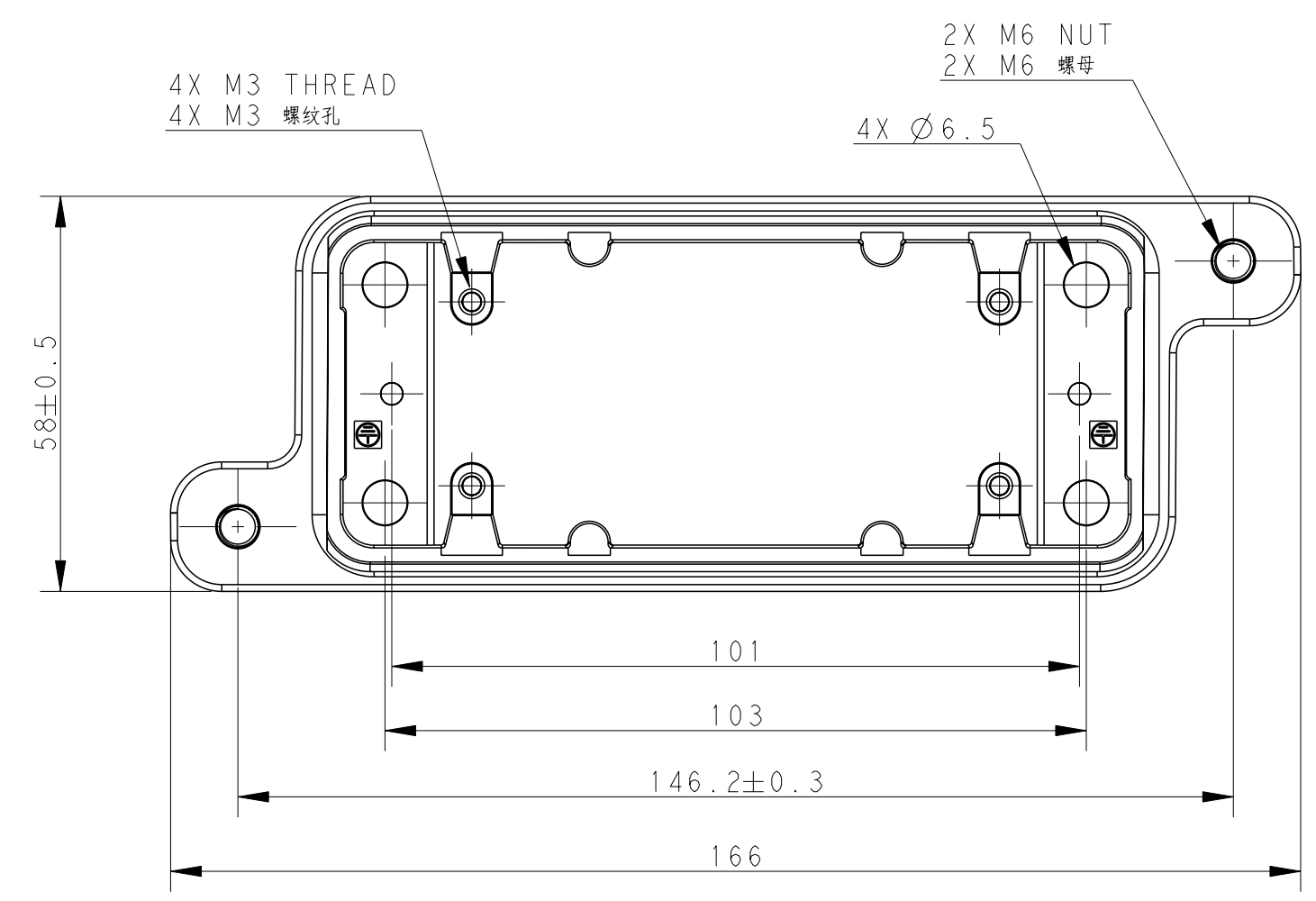


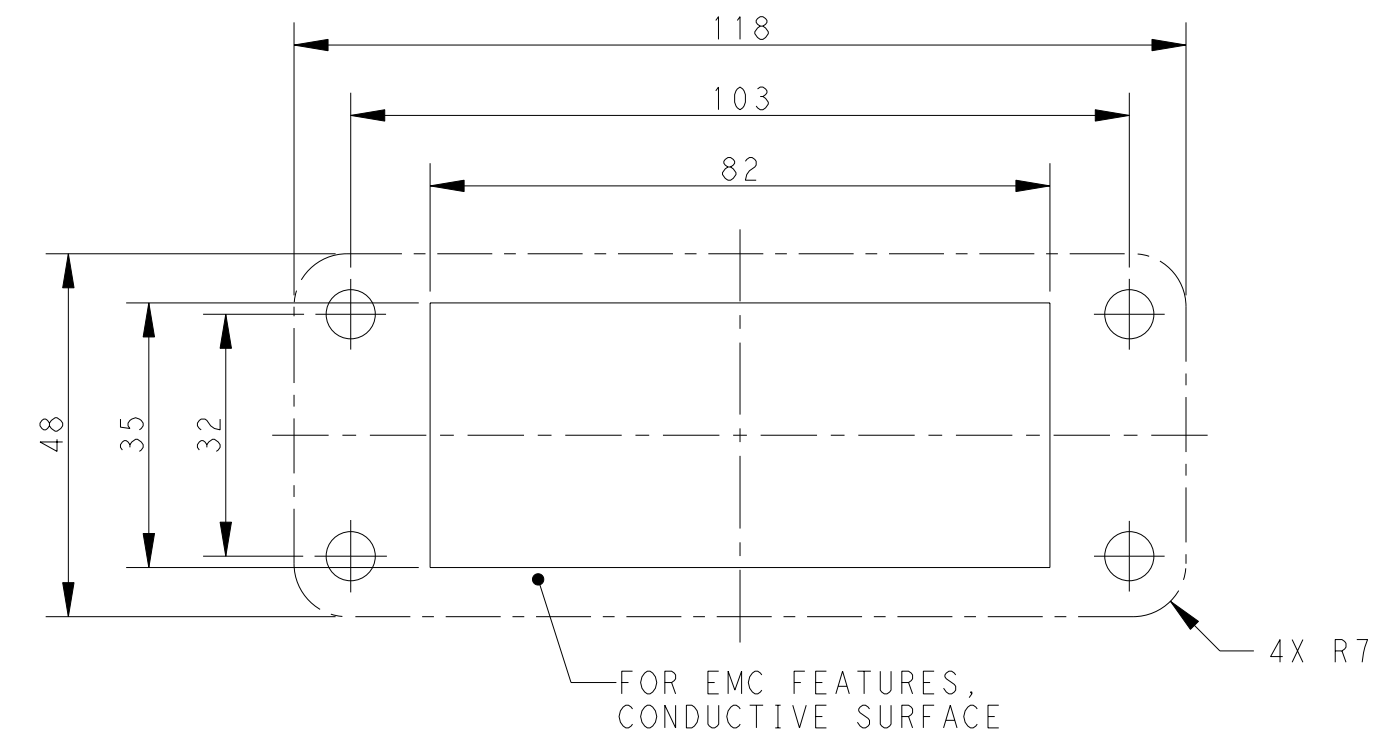
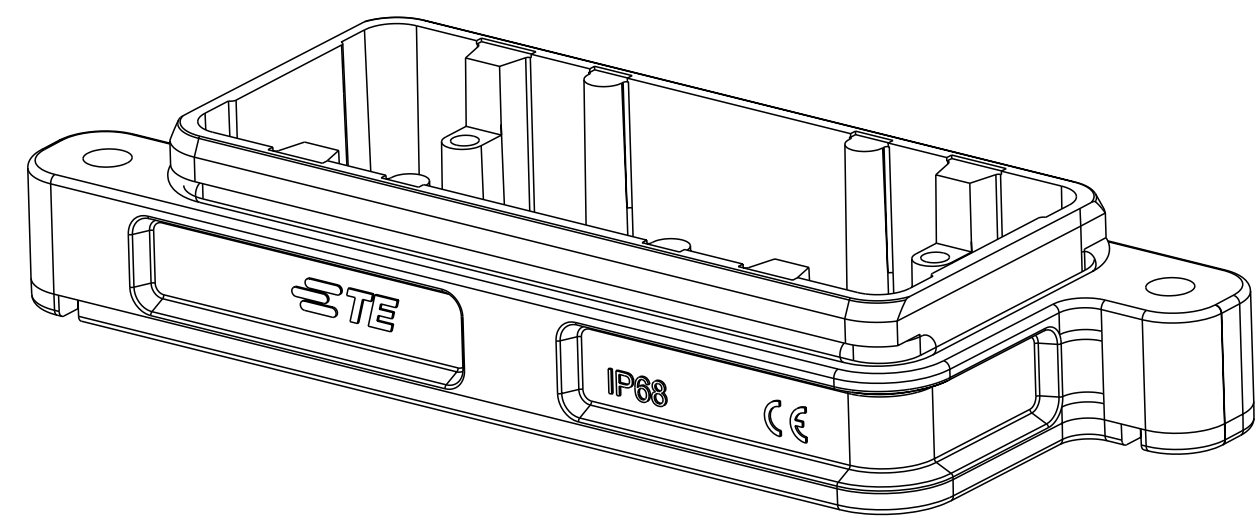
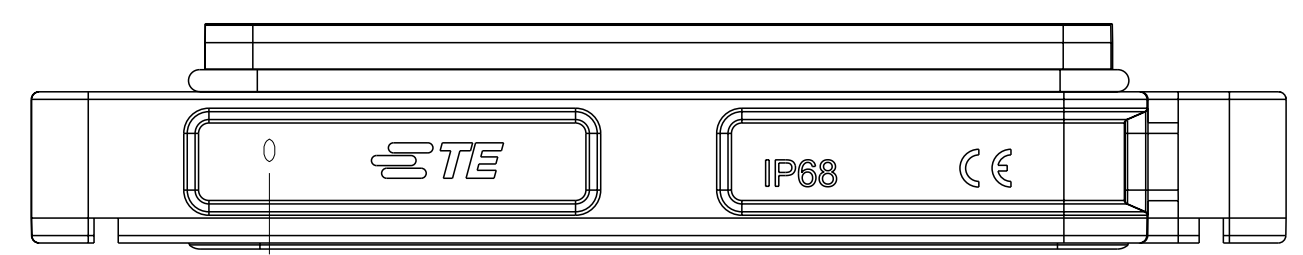
THIS DRAWING IS UNPUBLISHED. RELEASED FOR PUBLICATION 20
 © COPYRIGHT 20 BY - ALL RIGHTS RESERVED.

REVISIONS				
P	LTR	DESCRIPTION	DATE	APVD
A		INITIAL RELEASE	24AUG2016	DW CW
B		ECR-20-016312	03JUN2021	BS CW



NOTES:
 1. TECHNICAL CHARACTERISTICS:
 HOUSING MATERIAL: DIE CAST ALUMINIUM ALLOY
 SURFACE: SEE TABLE
 DEGREE OF PROTECTION: IP68 (MATED)

注释:
 1. 技术参数:
 壳体材料: 铝合金
 表面处理: 见表格
 防护等级: IP68 (配合)



Panel Cut Out Dimension, Only for Reference
 面板开口尺寸, 仅供参考

PART NUMBER 料号	PART DESCRIPTION 描述
T1930162000-009	H16BPR HOUSING, DIAGONAL LOCKING, BULKHEAD MOUNTED, POWDER COATED, GREY H16BPR 对角锁定开孔下壳 灰色
T1930161000-009	H16BPR HOUSING, DIAGONAL LOCKING, BULKHEAD MOUNTED, POWDER COATED, SILVER WHITE H16BPR 对角锁定开孔下壳 银白色
T1930160000-009	H16BPR HOUSING, DIAGONAL LOCKING, BULKHEAD MOUNTED, POWDER COATED, BLACK H16BPR 对角锁定开孔下壳 黑色

THIS DRAWING IS A CONTROLLED DOCUMENT.		DWN 24AUG2016 DAVID WANG	TE Connectivity
DIMENSIONS: mm		CHK 24AUG2016 CHRIS WANG	
TOLERANCES UNLESS OTHERWISE SPECIFIED:		APVD 24AUG2016 XIANG XU	NAME H16BPR-AG-EMC-C
0 PLC ± 1 PLC ± 2 PLC ± 3 PLC ± 4 PLC ± ANGLES ± FINISH -		PRODUCT SPEC 108-137191	SIZE A2
MATERIAL		APPLICATION SPEC 114-137191	CAGE CODE -
		WEIGHT -	DRAWING NO G-T193016XXXXX09
		CUSTOMER DRAWING	RESTRICTED TO B
		SCALE 1:1	SHEET 1 OF 1

Printed on 8 Jun 2021 09:32 (China Standard Time) from IE236667