

CLRB

Repeat Cycle Plug-In Timer



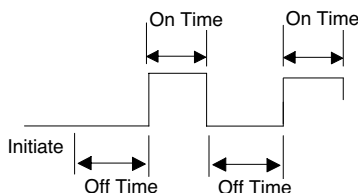
- Independent On & Off Adjustments
- Digital CMOS Design
- 10 Amp, DPDT
- $\pm 0.2\%$ Repeatability
- Transient Protected
- On Time Ranges Up To 24 Hours
- Off Time Ranges Up To 24 Hours



Operation

Repeat Cycle

When input voltage is applied to the CLRB, the first delay period (off time) begins. At the end of the off time period, the internal relay is energized and the second delay period (on time) begins. At the end of the on time, the internal relay is de-energized. The CLRB will continue to cycle the internal relay until the input voltage is removed. Separate knobs are used to adjust the off and on times. (The CLRB is also available with reverse operation.)



Specifications

Electrical

Input Voltage:

24 or 115VAC $\pm 10\%$, 50/60Hz.
24 or 125VDC $\pm 10\%$, Filtered to Full Wave.

Time Delays:

Type: Adjustable or Factory Fixed
Range: 50 Milliseconds to 24 Hours
Repeat Accuracy: $\pm 0.2\%$ of Time Range or ± 10 Milliseconds, Whichever is Greater.

Fixed Time Accuracy: $\pm 5\%$ Worst Case
Reset Times: 50 Milliseconds, Typical

Protection: Varistor and/or R-C Network

Power Consumption: 5VA

Output Relay: 10 Amps @ 120/240VAC
500,000 Full Load Electrical Cycles
50,000,000 Mechanical Cycles

U.L. Ratings:

6.5 Amps, 1/3 HP, 125VA @ 240VAC
7 Amps, 1/6 HP, 125VA @ 120VAC

Physical

Mounting: Plug-In

Termination: 8 or 11 Pin & Blade Base

Packaging: Dust Cover

Weight: 7 Oz.

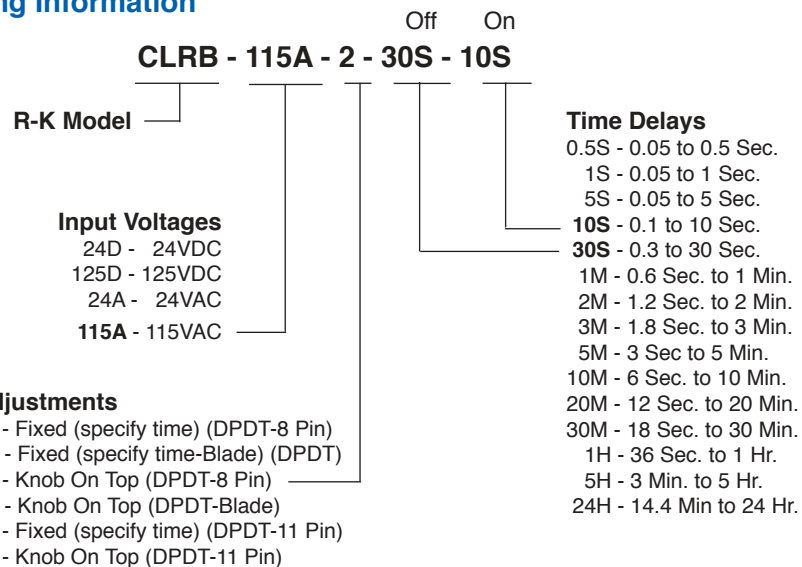
Ambient Temperatures

Operating: -10°C to 65°C

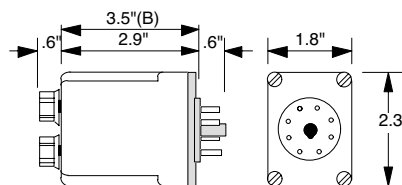
U.L. Operating: -10°C to 40°C

Storage: -10°C to 85°C

Ordering Information



Dimensions



Connections

