

6

5

4

3

2

1

APPROVED: _____

DATE: _____ TITLE: _____

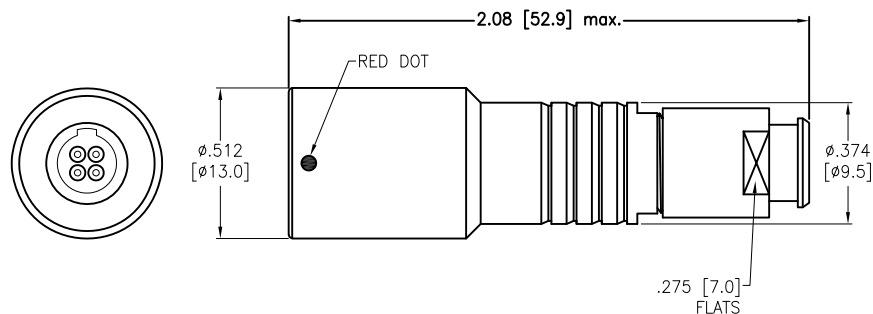
Rev	AWO #	Description	Date	Appr
-		RELEASED	8/16/21	

MMI-MOFGXXSXXB-IP67

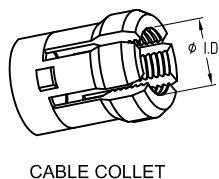
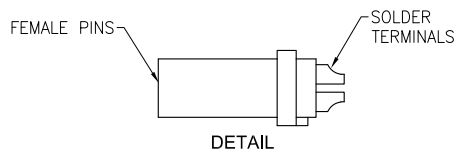
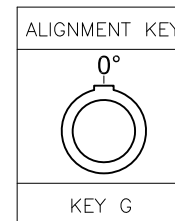
ALIGNMENT KEY
G = 0

CABLE COLLET SIZE
32 = 2.2mm ~ 3.2mm ID
42 = 3.2mm ~ 4.2mm ID
45 = 3.5mm ~ 4.5mm ID
52 = 4.2mm ~ 5.2mm ID

OF POSITIONS
02, 03, 04, 05,
06, 07 & 09



NOTE; BEND RELIEF MUST BE ORDERED SEPARATELY SEE MMI-BR0-XX-XX-X



	2 Pin	3 Pin	4 Pin	5 Pin	6 Pin	7 Pin	9 Pin
Configuration							
Diameter of Pin	0.9	0.9	0.7	0.7	0.5	0.5	0.5
Testing Voltage	1200V	1200V	1000V	1000V	900V	800V	800V
Working Voltage	250V	250V	200V	200V	200V	200V	200V
Rated Current / Pin	8A	7A	5A	5A	2.5A	2A	2A
Max. Wire Awg	22	22	22	22	28	28	28

SPECIFICATIONS:

Material:
Housing (Body): Brass, Natural Chrome plated
Insulator: PPS
Terminal: Brass, Gold Plated
Electrical:
Voltage Rating: See chart
Current Rating: See chart
Dielectric withstanding voltage: See chart
Electrical Life: 5,000 Cycles min.
Temperature Rating:
Operating temperature: -55°C to +150°C
Environmental:
IP67 Protection (Mated Condition)
Lead free, RoHS compliant



UNLESS OTHERWISE SPECIFIED ALL DIMENSIONS ARE INCHES [MM] TOLERANCES: EXCEPT AS NOTED INCHES HOLES		 909 Rahway Avenue, Union, NJ 07083 Phone: 908-687-5000 Fax: 908-687-5710	
.X ± .10	Ø.X ± .10		
.XX ± .020	Ø.XX ± .015	TITLE: PUSH-PULL CONNECTOR FEMALE PLUG, METAL, SIZE 0, SOLDER TERMINAL, BEND RELIEF TYPE, IP67	
.XXX ± .015	Ø.XXX ± .010	REV. -	
APPROVALS		DATE	
DRAWN	SS	8/16/21	
CHECKED	SS	8/16/21	
APPROVED			
SIZE X	PART NO.	MMI-MOFGXXSXXB-IP67	
REF: SXXXXXX	SCALE: NTS	SHEET 1 OF 1	

6

5

4

3

2

1