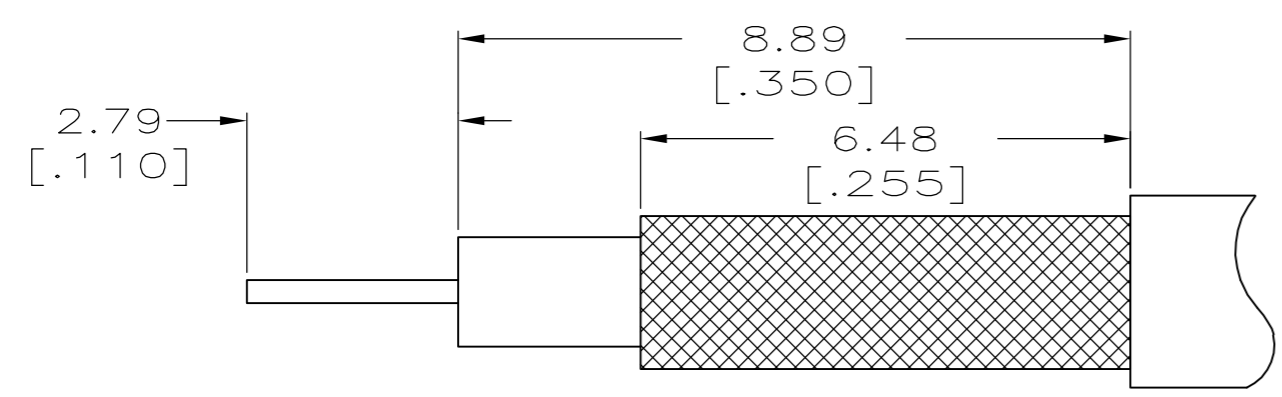
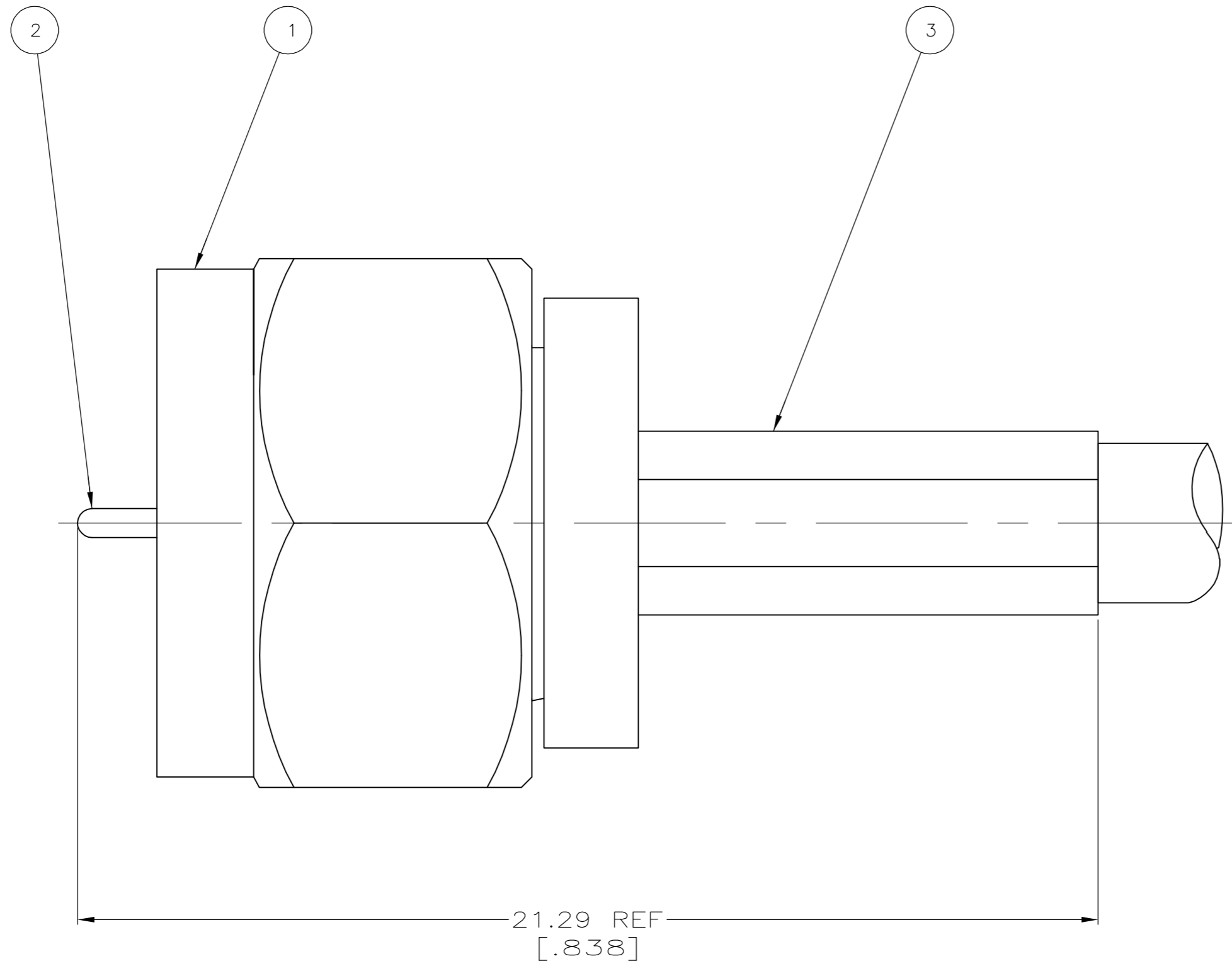


THIS DRAWING IS UNPUBLISHED. RELEASED FOR PUBLICATION
 © COPYRIGHT BY TYCO ELECTRONICS CORPORATION. ALL RIGHTS RESERVED.

LOC	DIST	REVISIONS			
P	LTR	DESCRIPTION	DATE	DWN	APVD
AF	49	0	REV PER EC-0S14-0496-04	01FEB2005	GA KW

△1 FOR USE WITH RG-179 COAXIAL CABLE.
 △2 TERMINATION TOOLING:
 BRAID: M 22520/5-01 WITH DANIELS DIE SET HX4-1637(.128 HEX).
 CONTACT: M 22520/2-01 WITH DANIELS POSITIONER K727, POS. 2.



RECOMMENDED STRIP LENGTH

△1△2	9-413889-0	9-415416-0	9-415411-0	5415226-1
3	FERRULE QTY=1	2	CONTACT QTY=1	1
			PLUG ASSY QTY=1	PART NUMBER

THIS DRAWING IS A CONTROLLED DOCUMENT.		DWN G. ATTADIA - DOCK5 01FEB2005	Tyco Electronics Corporation Harrisburg, PA 17105-3608												
DIMENSIONS: mm [INCHES]		CHK J. HAVENER 01FEB2005	NAME PLUG, SERIES F												
TOLERANCES UNLESS OTHERWISE SPECIFIED:		APVD K. WEIDNER 01FEB2005	PRODUCT SPEC												
<table border="0"> <tr><td>0 PLC</td><td>± -</td></tr> <tr><td>1 PLC</td><td>± -</td></tr> <tr><td>2 PLC</td><td>± 0.3[.010]</td></tr> <tr><td>3 PLC</td><td>± -</td></tr> <tr><td>4 PLC</td><td>± -</td></tr> <tr><td>ANGLES</td><td>± -</td></tr> </table>		0 PLC	± -	1 PLC	± -	2 PLC	± 0.3[.010]	3 PLC	± -	4 PLC	± -	ANGLES	± -	APPLICATION SPEC	
0 PLC	± -														
1 PLC	± -														
2 PLC	± 0.3[.010]														
3 PLC	± -														
4 PLC	± -														
ANGLES	± -														
MATERIAL SEE NOTES		FINISH SEE NOTES	WEIGHT -	RESTRICTED TO -											
CUSTOMER DRAWING		SCALE 10:1	SHEET 1 OF 1	REV 0											

5415226