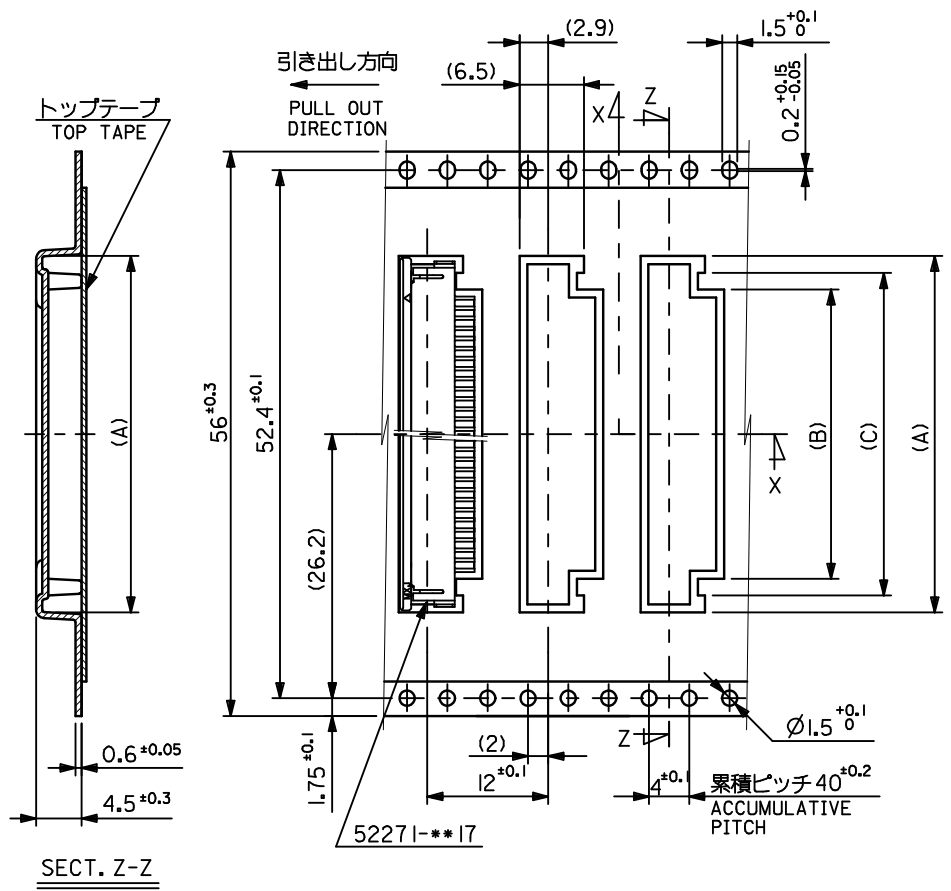


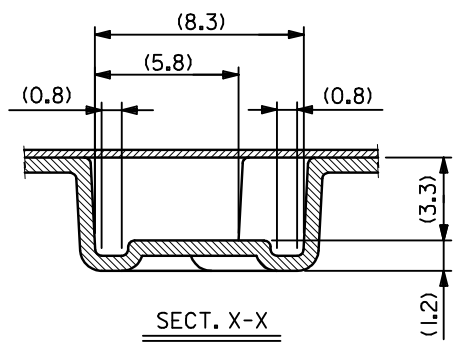
44	45.5	30	26.4	33.35	52271-2690	26
		28	24.4	31.35	-2490	24
		27	23.4	30.35	-2390	23
		22	18.4	25.35	-1890	18
		21	17.4	24.35	-1790	17
32	33.5	19	15.4	22.35	-1590	15
		18	14.4	21.35	-1490	14
		17	13.4	20.35	52271-1390	13
		(C)	(B)	(A)	MATERIAL NO.	極数 CKT.

キャリアテープ幅
CARRIER TAPE WIDTH D (C) (B) (A) MATERIAL NO. 極数
CKT.
fb_frame_A3_J_ME_S
Rev G 2012/01/25

REVISED EC NO.: J2013-1404 DRWN:MTAKAHASHI 04/2013/05/30 CHKD:KTAHAKASHI 2013/05/30 APPR:YNOGAWA 2013/07/24	DESCRIPTION	GENERAL TOLERANCES (UNLESS SPECIFIED)		DIMENSION STYLE	SCALE	DESIGN UNITS	THIRD ANGLE PROJECTION	
				MM ONLY	---	METRIC		
		10 UNDER	±0.2	DRAWN BY	DATE	TITLE		
		10 OVER 30 UNDER	±0.25	STADOKORO	1988/09/29	EMBOSSED TAPE PACKAGE FOR 52271-**17		
30 OVER	±0.3	CHECKED BY	DATE					
		SKUNISHI	2000/12/20					
		APPROVED BY	DATE					
		MFUKUSHIMA	2000/12/20					
		ANGULAR ±3 °		MATERIAL NO.	DOCUMENT NO.		SHEET NO.	
		DRAFT WHERE APPLICABLE MUST REMAIN WITHIN DIMENSIONS		SEE CHART	SD-52271-043		2 OF 3	
		SIZE	THIS DRAWING CONTAINS INFORMATION THAT IS PROPRIETARY TO MOLEX INCORPORATED AND SHOULD NOT BE USED WITHOUT WRITTEN PERMISSION					
		A3						



SECT. Z-Z



SECT. X-X

REVISED EC NO: J2013-1404 DRWN:MTAKAHASHI 04/2013/05/30 CHKD:KTAHAKASHI 2013/05/30 APPR:YNOGAWA 2013/07/24	GENERAL TOLERANCES (UNLESS SPECIFIED)	
	10 UNDER	±0.2
	10 OVER 30 UNDER	±0.25
	30 OVER	±0.3
DESCRIPTION	ANGULAR ±3 °	
REV	DRAFT WHERE APPLICABLE MUST REMAIN WITHIN DIMENSIONS	

56	57.5	34	30.4	37.35	52271-3090	30
キャリアテープ幅 CARRIER TAPE WIDTH	D	(C)	(B)	(A)	MATERIAL NO.	極数 CKT.
DIMENSION STYLE MM ONLY		SCALE ---	DESIGN UNITS METRIC		THIRD ANGLE PROJECTION	
DRAWN BY STADOKORO	DATE 1988/09/29	TITLE EMBOSSD TAPE PAKEGE FOR 52271-**17				
CHECKED BY SKUNISHI	DATE 2000/12/20					
APPROVED BY MFUKUSHIMA	DATE 2000/12/20					
MATERIAL NO.	SEE CHART	DOCUMENT NO. SD-52271-043	SHEET NO. 3 OF 3			
THIS DRAWING CONTAINS INFORMATION THAT IS PROPRIETARY TO MOLEX INCORPORATED AND SHOULD NOT BE USED WITHOUT WRITTEN PERMISSION						