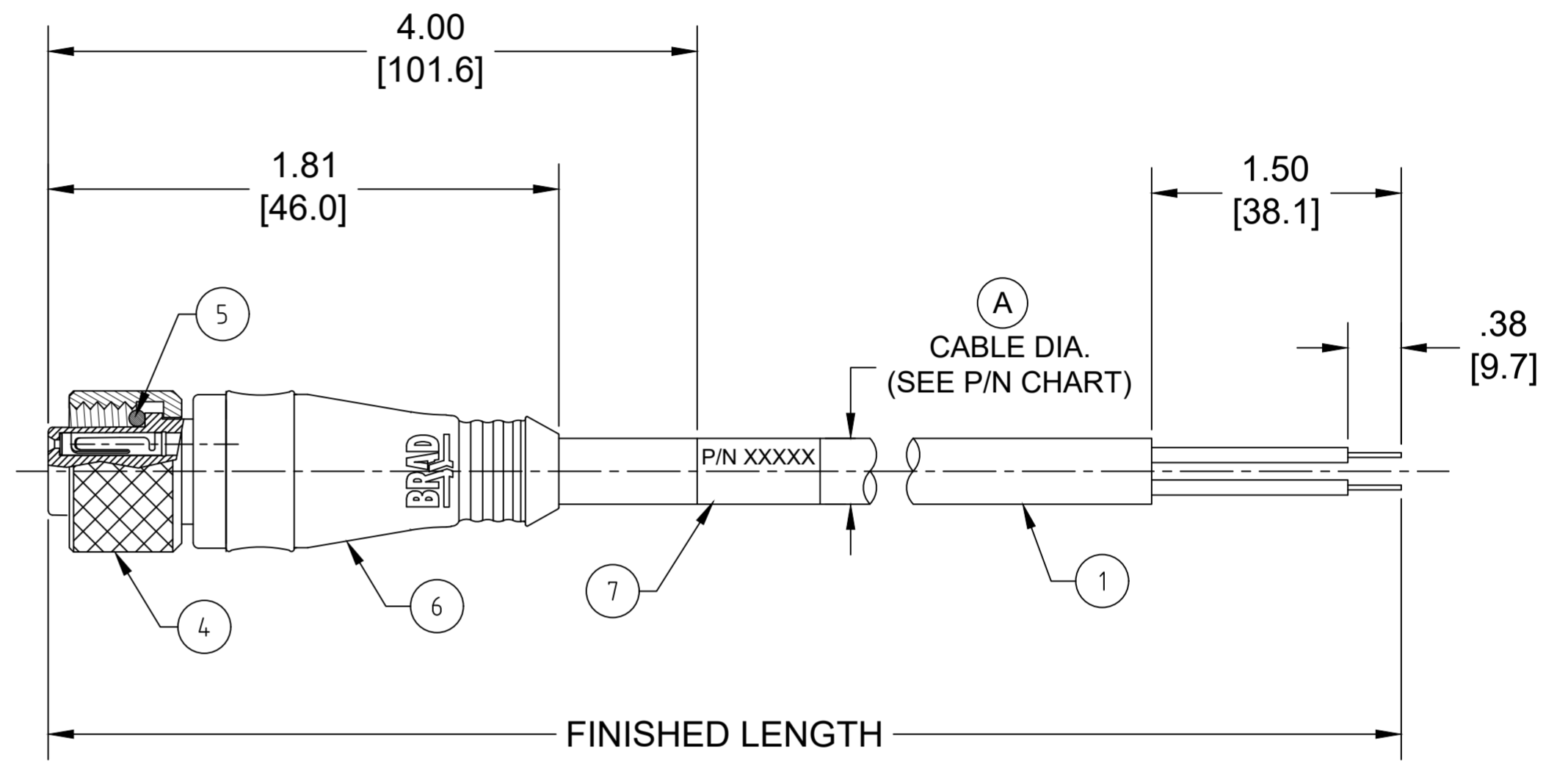
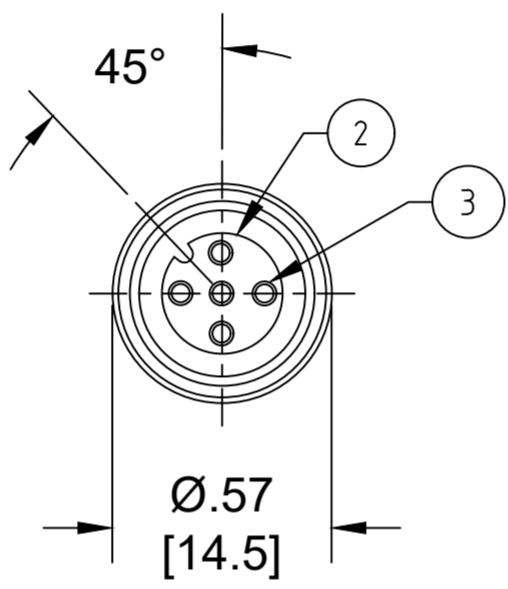


PART NO	ENGINEERING NO.	FINISHED LENGTH	POLES	CABLE DIA.
1200650252	804000A09M010	1M [3FT 3 IN]	4	.21 [5.3]
1200652496	804000A09M500	50M [164FT]		
1200650470	805000A09M010	10M [32FT 10 IN]	5	.22 [5.6]
1200650498	805000A09M300	30M [98FT 5 IN]		

- NOTES:**
- MATERIAL: AS NOTED
 - FINISH: AS NOTED
 - ELECTRICAL:
VOLTAGE: 250V
CURRENT: 4A
 - TEMP RATING: -20°TO +105°C
 - PROTECTION: IP67 (WHEN MATED)
 - COUPLING THREAD: M12X1
 - UL RECOGNIZED FILE: E152210
CSA CERTIFIED FILE: LR6837 (A)
 - ALL DIMENSIONS ARE FOR REFERENCE
UNLESS TOLERANCED OR NOTED OTHERWISE



ITEM	DESCRIPTION	MATERIAL	FINISH
7	WRAP LABEL	VINYL	BLACK/YELLOW
6	OVERMOLD	PUR	YELLOW
5	O-RING	VITON	RED
4	COUPLING NUT	BRASS	NICKEL PLATED
3	CONTACT SOCKET	COPPER ALLOY	GOLD OVER NICKEL
2	FEMALE INSERT	PUR	BLACK
1	#22/3-5 AWG CABLE	PVC	YELLOW

PART NUMBER LEGEND

804000A09M003

POLES (4 & 5)

FINISHED LENGTH
M005 = 0.5 METER
M010 = 1 METER
M100 = 10 METER

CABLE LENGTH TOLERANCES

<.3M [1FT]:	+19mm-0 [+ .75in-0]
.3 - .9M [1 - 3FT]:	+44.5mm-0 [+1.75in-0]
.9 - 1.8M [3 - 6FT]:	+55.6mm-0 [+2.19in-0]
1.8 - 3.7M [6 - 12FT]:	+88.9mm-0 [+3.50in-0]
3.7 - 7.3M [12 - 24FT]:	+165.1mm-0 [+6.50in-0]
7.3-14.6M [24 - 48FT]:	+317.5mm-0 [+12.50in-0]
14.6 - 30.5M [48-100FT]:	+622.3mm-0 [+24.50in-0]
OVER 30M [100FT]	+2% OF FINISHED LENGTH

<p>FUNCTIONAL SYMBOLS</p> <p>FA=0</p> <p>FC=0</p> <p>FP=0</p> <p>DIVISIONAL SYMBOLS</p>	<p>THIS DRAWING CONTAINS INFORMATION THAT IS PROPRIETARY TO MOLEX ELECTRONIC TECHNOLOGIES, LLC AND SHOULD NOT BE USED WITHOUT WRITTEN PERMISSION</p> <p>DIMENSION UNITS: INCH/MM</p> <p>SCALE: NTS</p> <p>GENERAL TOLERANCES (UNLESS SPECIFIED)</p> <table border="1"> <tr> <th></th> <th>mm</th> <th>INCH</th> </tr> <tr> <td>4 PLACES</td> <td>±----</td> <td>±----</td> </tr> <tr> <td>3 PLACES</td> <td>±----</td> <td>±----</td> </tr> <tr> <td>2 PLACES</td> <td>±----</td> <td>±----</td> </tr> <tr> <td>1 PLACE</td> <td>±----</td> <td>±----</td> </tr> <tr> <td>0 PLACES</td> <td>±----</td> <td>±----</td> </tr> </table> <p>ANGULAR TOL ± ---- °</p> <p>DRAFT WHERE APPLICABLE MUST REMAIN WITHIN DIMENSIONS</p>		mm	INCH	4 PLACES	±----	±----	3 PLACES	±----	±----	2 PLACES	±----	±----	1 PLACE	±----	±----	0 PLACES	±----	±----	<p>CURRENT REV DESC: REMOVED 3-POLE DETAILS. ITEM #7 WAS MYLAR. ADDED CABLE DIA, CSA NUMBER & TOL CHART. MODIFIED MATERIAL NUMBER CHART.</p> <p>EC NO: 698297</p> <p>DRWN: ABENJAMINLW 2021/09/29</p> <p>CHK'D: RSTONE 2022/03/16</p> <p>APPR: BWOODMAN 2022/03/26</p> <p>INITIAL REVISION:</p> <p>DRWN: GGUSTAFS 2013/11/26</p> <p>APPR: BWOODMAN 2013/12/06</p>	<p>molex</p> <p>MICRO-CHANGE CORDSET, M12, 4-5 POLE, FEMALE, STRAIGHT, SINGLE KEY, #22 AWG</p> <p>PRODUCT CUSTOMER DRAWING</p>
		mm	INCH																		
	4 PLACES	±----	±----																		
	3 PLACES	±----	±----																		
2 PLACES	±----	±----																			
1 PLACE	±----	±----																			
0 PLACES	±----	±----																			
<p>THIRD ANGLE PROJECTION</p> <p>DRAWING: C-SIZE</p> <p>SERIES: 120065</p>	<p>DOCUMENT NUMBER: SD-120065-026</p> <p>DOC TYPE/DOC PART: PSD 001</p> <p>REVISION: A</p>	<p>MATERIAL NUMBER: SEE CHART</p> <p>CUSTOMER: GENERAL MARKET</p> <p>SHEET NUMBER: 1 OF 1</p>																			