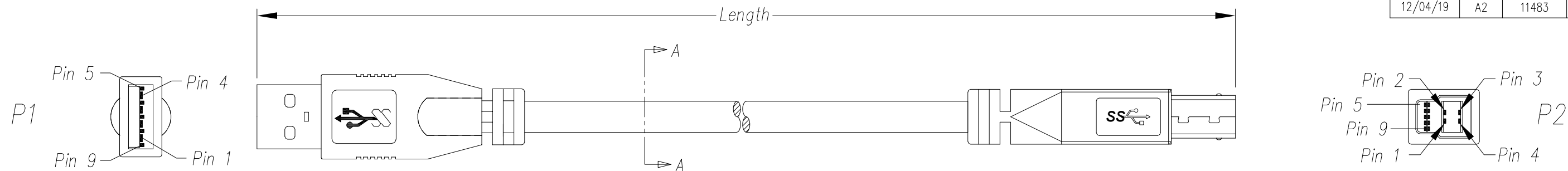


| DATE | REV | ECN | APP'D. BY |
|----------|-----|----------|-----------|
| 08/31/17 | A0 | Released | JRC |
| 09/18/17 | A1 | 11095 | GWL |
| 12/04/19 | A2 | 11483 | ADB |



Notes:

- 1) Each cable assembly to be individually bagged.
- 2) Cable Construction USB 3.0:
 - 28 AWG 1 Twisted Pair
 - 28 AWG +D +AL MY x 2 Twisted Pair
 - 24 AWG x 2C
 - AMA BRAID 85%
 - 5.8mm OD
 - Black PVC Jacket
- 3) Connector P1 :USB A Male 3.0 Blue Insulator, Gold flash on contacts, Nickel Plated Shell
Connector P2 :USB B Male 3.0 Blue Insulator, Gold flash on contacts, Nickel Plated Shell
- 4) Hood P1 & P2: Molded Black PVC Strain Relief
- 5) All cables tested for Continuity & Shorts

P/N Key:

SC-3ABKxxxF

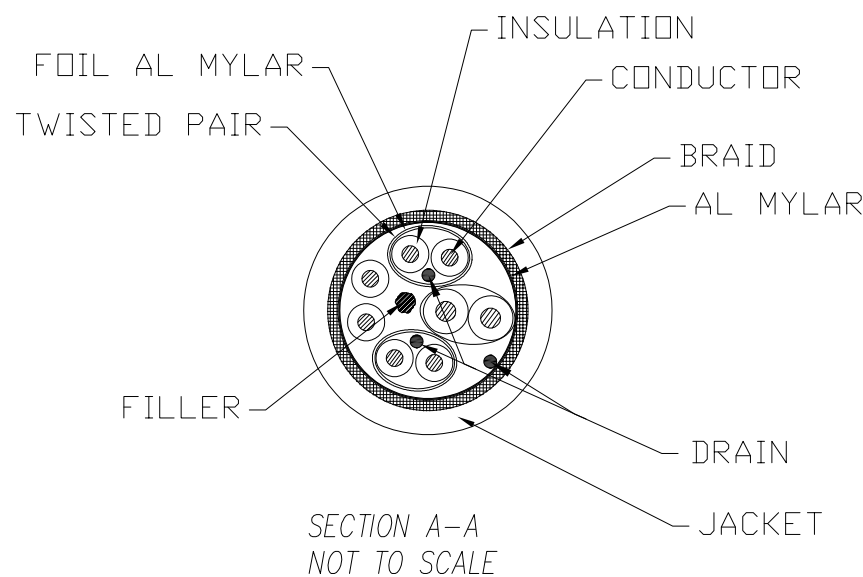
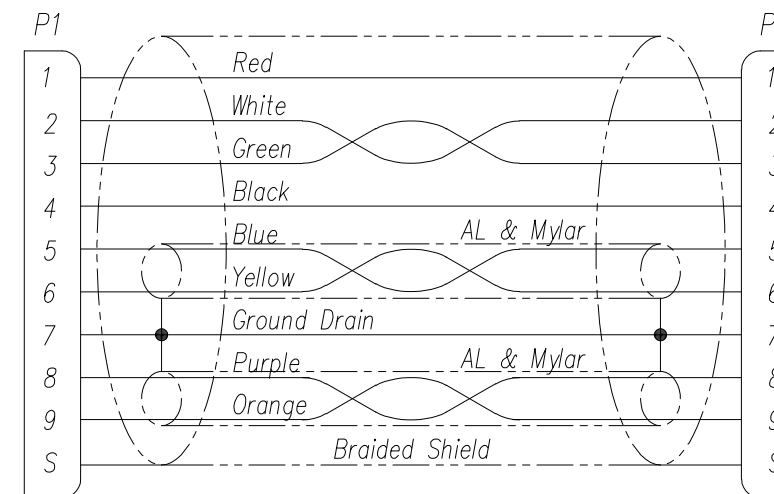
Length
003 = 3 Ft
006 = 6 Ft

O/A Length Tolerance:

| Metric | |
|---------------|-------|
| 0 ~ 200mm | ±10mm |
| 201 ~ 1000mm | ±20mm |
| 1001 ~ 1500mm | ±25mm |
| 1501 ~ 2100mm | ±30mm |
| >2100mm | ±40mm |

| Imperial | |
|-----------|---------|
| 0 ~ 1ft | ±0.5in |
| 2ft ~ 3ft | ±0.75in |
| 4ft ~ 7ft | ±1.0in |
| > 7ft | ±1.5in |

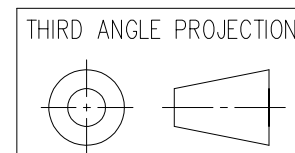
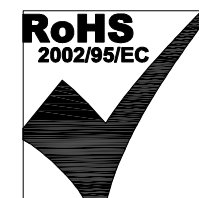
Wiring Map: USB 3.0 Super Speed



Example Parts Numbers

| Feet | |
|-------------|--------|
| P/N | Length |
| SC-3ABK003F | 3' |
| SC-3ABK006F | 6' |

For Part Numbers Not Shown Follow Part Number Key Format



DO NOT SCALE DRAWING
DRAWING IS SUBJECT TO CHANGE WITHOUT NOTICE
DIMENSIONS: INCHES [METRIC]
UNLESS OTHERWISE SPECIFIED TOLERANCES ARE ±.005 [0.13] ANGLES ARE ± 1°
SHEET NO. 1 OF 1



11118 Susquehanna Trail South
Glen Rock, PA 17327-9199
(717) 235-7512
<http://www.stewartconnector.com>

TITLE: Cable Assembly, USB 3.0, Type A/M - Type B/M, Black

THIS DRAWING AND THE SUBJECT MATTER SHOWN THEREON ARE CONFIDENTIAL AND THE PROPRIETARY PROPERTY OF STEWART CONNECTOR AND SHALL NOT BE REPRODUCED, COPIED, OR USED IN ANY MANNER WITHOUT PRIOR WRITTEN CONSENT OF STEWART CONNECTOR

| | |
|------------------|----------------|
| DRN BY: KAC | DATE: 08/29/17 |
| APPD BY: JRC | DATE: 08/31/17 |
| DWG NO. CT999149 | REV. A2 |