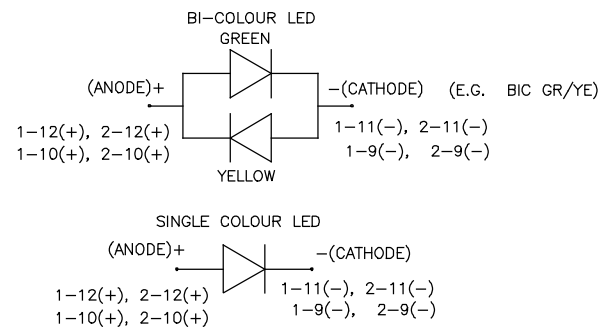
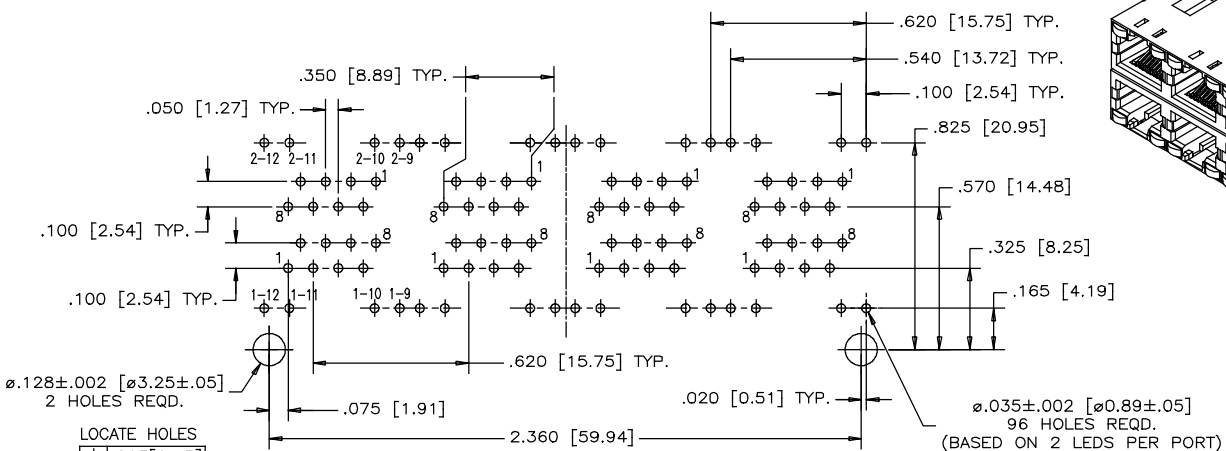
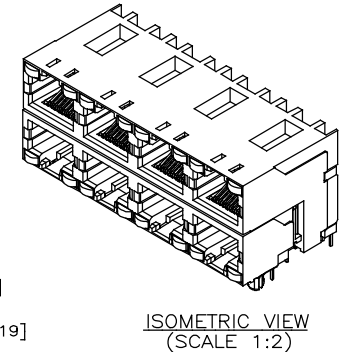
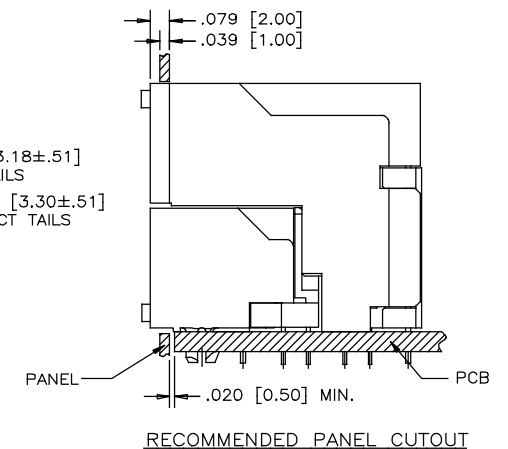
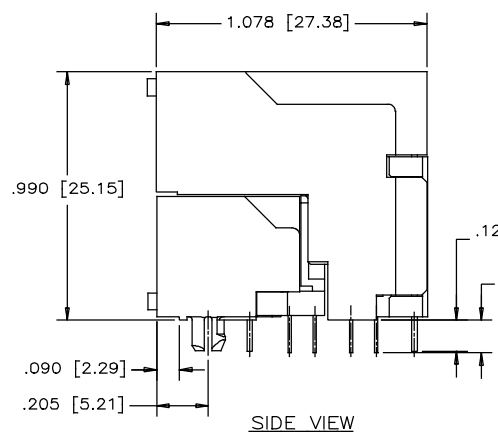
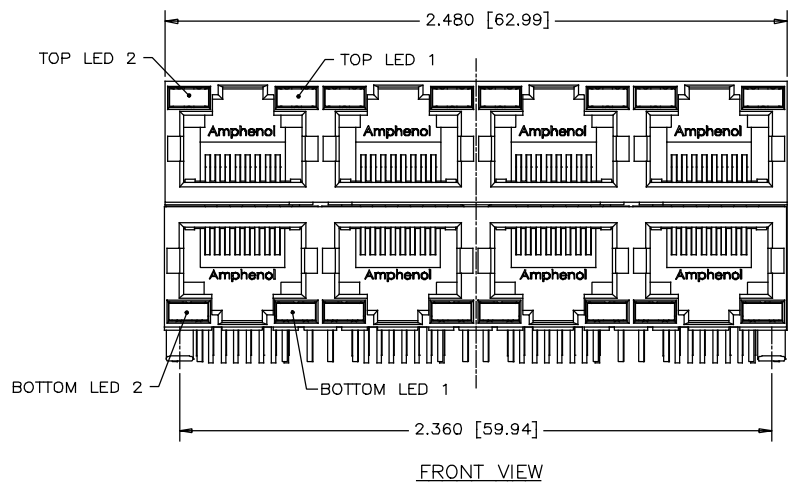


REVISIONS			
REV	DESCRIPTION, ECN, EAR NO.	DATE	APP'D
A	PROPOSAL	SEP10/19	L.CHAN



NOTES:

1. MATERIALS:

CONTACTS: PHOSPHOR BRONZE, SELECTIVE GOLD PLATING ON MATING SURFACES SEE PART NO. FOR THICKNESS. 50 MICROINCHES MIN. NICKEL OVERALL. 100 MICROINCHES MIN. MATTE TIN OR GOLD FLASH ON TAILS.

HOUSING: ENGINEERING PLASTIC. FLAMMABILITY RATING UL 94V-0, BLACK

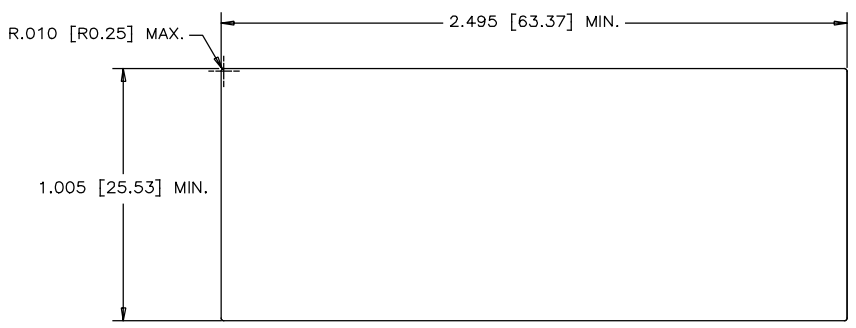
2. RECOMMENDED SOLDERING TEMPERATURE:

WAVE SOLDERING PEAKED AT 260°C MAXIMUM FOR 5 SEC MAXIMUM

AMPHENOL PART NO.: RJSAE-X08X-A8X

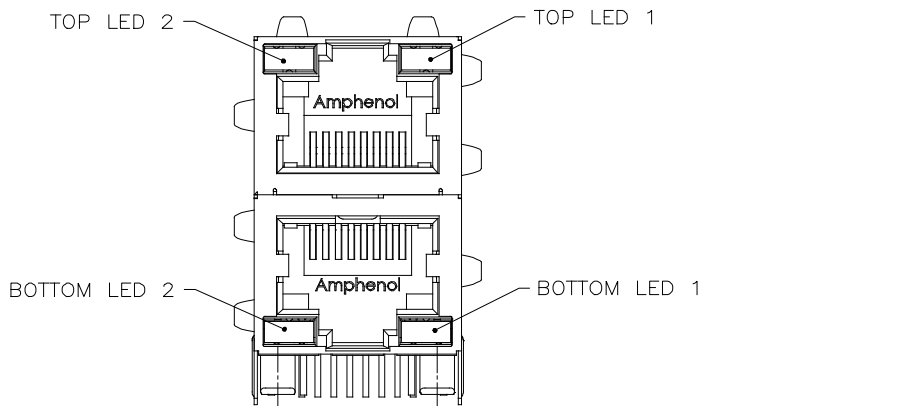
GOLD PLATING OPTION:
 D=6u" GOLD PLATING
 G=15u" GOLD PLATING
 J=30u" GOLD PLATING
 5=50u" GOLD PLATING

REFER TO LED OPTIONS DRAWING FOR ORDERING CODES



UNLESS SPECIFIED OTHERWISE		DRAWN RONNIE.C	SEP10/19	Amphenol Canada Corp. Commercial Products
PRIMARY UNITS INCHES	CHECKED KELVIN.T	SEP10/19		
SECONDARY MILLIMETERS	M.E. APP'D			STACKABLE 2x4 PORT MODULAR JACK, 8 POSITION, 8 CONTACTS, WITH LEDs, 0.130INCH CONTACT TAILS, UNSHIELDED - RoHS COMPLIANT
REFERENCE IN PARENTHESES	Q.A. APP'D			
GENERAL TOLERANCES		DWG APP'D		DWG NO. P-RJSAE-X08X-A8X
1 DECIMAL PLACE		ENG. REL. NO.		
2 DECIMAL PLACES		REF.		REV A
3 DECIMAL PLACES ±.015				
ANGULAR DEGREES ±1.5°		THIRD ANGLE PROJECTION	DO NOT SCALE DRAWING	CODE ID NO. 03554 DWG SIZE X SCALE 1:1 SHEET 1 OF 1

THIS DOCUMENT CONTAINS PROPRIETARY INFORMATION AND SUCH INFORMATION MAY NOT BE DISCLOSED TO OTHERS FOR ANY PURPOSE OR USED FOR MANUFACTURING PURPOSES WITHOUT WRITTEN PERMISSION FROM AMPHENOL CANADA CORP.



EXAMPLE:1
PART NUMBER RJS AE-***X-**

SEE NOTE 2 → LED COLOR CODE

EXAMPLE:2
PART NUMBER RJS AE-***U-**-XX

SEE NOTE 2 → SPECIAL CODE FOR TOP & BOTTOM LEDS CONFIGURATION
SEE NOTE 2 → BOTTOM ASSY LED (SAME AS STD CODE)
SEE NOTE 2 → TOP ASSY LED (SAME AS STD CODE)

CODE	LED 2 (LEFT)	LED 1 (RIGHT)	CODE	LED 2 (LEFT)	LED 1 (RIGHT)	CODE	LED 2 (LEFT)	LED 1 (RIGHT)
0	BLOCKED	BLOCKED	9	GREEN	BLOCKED	J	BIC RD/GR	YELLOW
1	YELLOW	GREEN	A	BIC GR/YE	BIC GR/YE	K	YELLOW	BIC GR/OR
2	BLOCKED	GREEN	B	BIC RD/GR	BIC RD/GR	L	BIC GR/YE	RED
3	YELLOW	BLOCKED	C	BIC RD/GR	BIC GR/YE	M	RED	YELLOW
4	GREEN	YELLOW	D	GREEN	BIC GR/YE	N	BIC GR/RD	BIC GR/YE
5	GREEN	GREEN	E	YELLOW	BIC GR/YE	P	GREEN	BIC RD/GR
6	YELLOW	YELLOW	F	BIC GR/YE	YELLOW	R	BIC GR/OR	GREEN
7	RED	GREEN	G	BIC GR/OR	BIC GR/OR	T	RED	RED
8	GREEN	RED	H	BIC GR/YE	GREEN	V	BIC RD/GR	GREEN
						W	ADDITIONAL OPTIONS	
						U	SPECIAL CODE FOR TOP & BOTTOM LEDS CONFIGURATION	

EXAMPLE:3
PART NUMBER RJS AE-***W-**X

SEE NOTE 2 → ADDITIONAL LED COLOR CODE
SEE NOTE 2 → DENOTES ADDITIONAL LED OPTIONS TO BE USED

CODE	LED 2 (LEFT)	LED 1 (RIGHT)	CODE	LED 2 (LEFT)	LED 1 (RIGHT)	CODE	LED 2 (LEFT)	LED 1 (RIGHT)
0	DO NOT USE		5	BLOCKED	YELLOW	A	LOWC YE	LOWC YE
1	RED	BLOCKED	6	RED	BIC RD/GR	B	LOWC YE	LOWC GR
2	BIC GR/OR	YELLOW	7			C	LOWC GR	LOWC YE
3	YELLOW	RED	8	BIC RD/GR	BLOCKED	D	LOWC GR	LOWC GR
4	BLOCKED	RED	9	BIC GR/YE	BLOCKED	M	LOWC RD	LOWC YE
						N	GREEN	BIC GR/OR
						E	GREEN	ORANGE
						F	ORANGE	GREEN
						G	BIC YE/GR	BIC YE/GR
						P	BIC RD/YE	GREEN
						R	BIC RD/YE	BIC RD/YE
						T	BIC GR/YE	BIC RD/GR
						H	BLUE	RED

EXAMPLE:4
PART NUMBER RJS AE-***X-***X*

SEE NOTE 2 → LED COLOR CODE THE SAME AS EXAMPLE 1, 2, 3
SEE NOTE 2 → LED COLOR CODE THE SAME AS EXAMPLE 1, 2, 3

REVISIONS			
REV	DESCRIPTION, ECN, EAR NO.	DATE	APP'D
H	PROPOSAL	JUL04/12	L.CHAN
J	PROPOSAL	MAR03/14	L.CHAN
K	ADD NEW COLOR OPTION	FEB09/17	L.CHAN
L	REPLACE THE DRAWING FRAME	JUL06/18	L.CHAN
M	FIX THE ERROR FOR LED SPEC.	SEP11/19	L.CHAN

LED SPECIFICATIONS:
FORWARD VOLTAGE: 1.8~3.4 VOLTS.
REVERSE VOLTAGE: 5.0 VOLTS MAX.
LUMINOUS INTENSITY: 3~60 mcd
(AT If=20mA)
STORAGE TEMPERATURE: -40° TO 85° C
PLATING ON TAILS: TIN OR TIN/COPPER ALLOY OVER SILVER

PRIMARY COLOR FOR BI-COLOR LEDS IN STANDARD ANODE/CATHODE CONFIGURATION IS:
RED-GREEN= RED
RED-YELLOW= RED
GREEN-YELLOW= GREEN
GREEN-ORANGE= GREEN

LEGEND
BIC=BI-COLOR LED
LOWC=LOW CURRENT LED
YE=YELLOW
GR=GREEN
RD=RED
OR=ORANGE



NOTES:
1. THE TWO DIGITS PRECEDING THE ADDITIONAL LED CODE MUST BE USED IN THE PART NUMBER, WHEN ORDERING ANY OF THE ADDITIONAL LED OPTIONS.
2. '*' REPRESENT DIFFERENT OPTION OF CONNECTOR, DETAIL OPTION PLEASE SEE RELEVANT CONNECTOR DRAWING.

UNLESS SPECIFIED OTHERWISE	DRAWN PAUL WANG	JUL22/05	Amphenol Canada Corp. Commercial Products
PRIMARY UNITS	CHECKED LAWRENCE C	JUL22/05	
SECONDARY	M.E. APP'D		LED OPTIONS FOR RJS AE, MULTI-PORT CONNECTORS - RoHS COMPLIANT
REFERENCE IN PARENTHESES	Q.A. APP'D		
GENERAL TOLERANCES	DWG APP'D		DWG NO. P-RJS AE-LEDS
1 DECIMAL PLACE	ENG. REL NO.		
2 DECIMAL PLACES	REF.		REV M
3 DECIMAL PLACES			
ANGULAR DEGREES	THIRD ANGLE PROJECTION	DO NOT SCALE DRAWING	CODE ID NO. 03554 DWG SIZE N/A SCALE N/A SHEET 1 OF 1