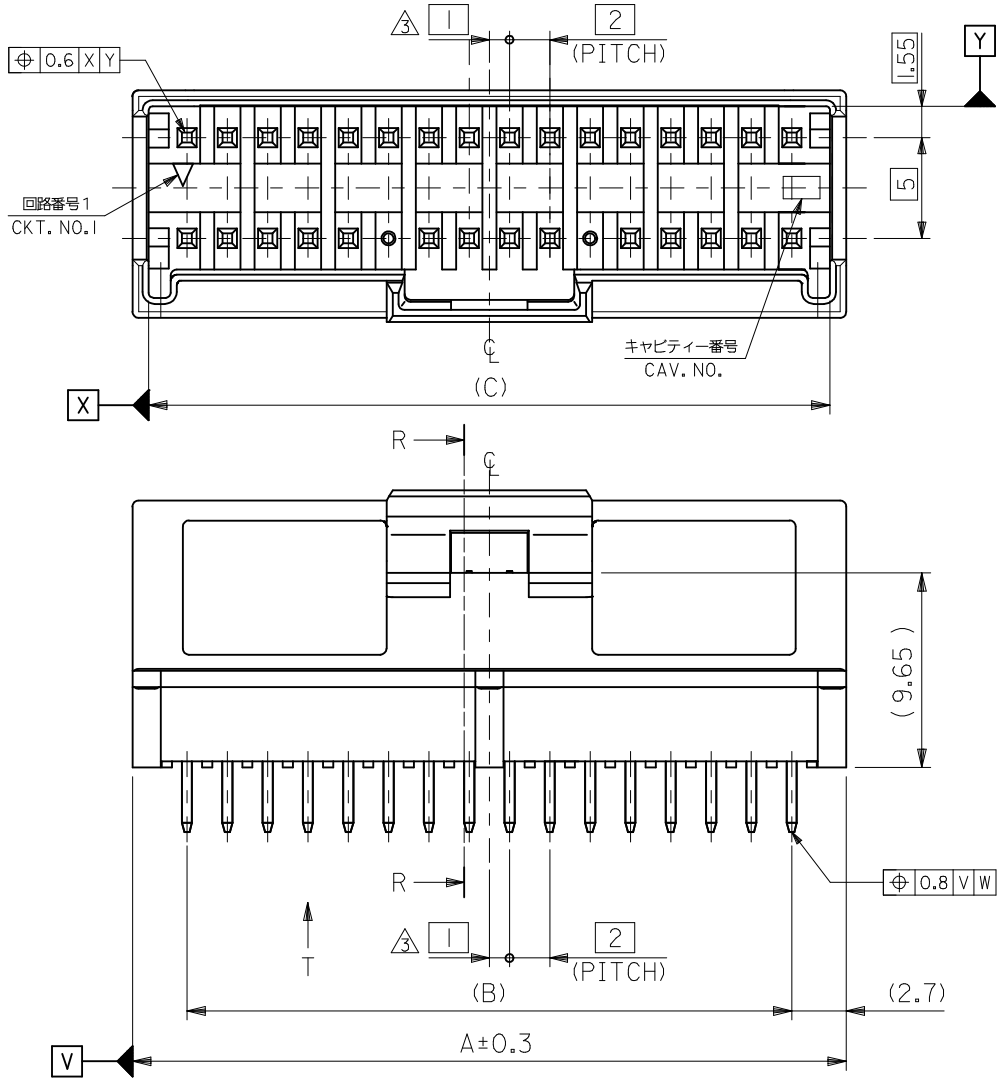


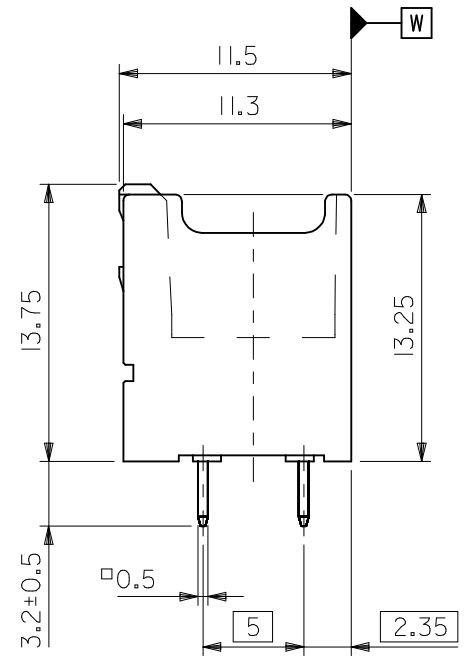
10 9 8 7 6 5 4 3 2 1



注記
NOTES

- 材料 MATERIAL
ピン : 黄銅, ニッケル下地鍍メッキ
PIN : BRASS, Sn OVER NI PLATED
ハウジング : PBT (ガラス入り: 15%), UL94V-0
HOUSING : PBT(G.F.: 15%), UL94V-0
- 嵌合相手 : 500915シリーズ
MATE WITH : 500915 SERIES
(全極数/2) = 偶数の場合に適用。
APPLY FOR (CIRCUIT/2)=EVEN
- 製品番号 : 500637-321*
MATERIAL No. 500637-321*

ナチュラル NATURAL	0
黒 BLACK	1
赤 RED	2
青 BLUE	4

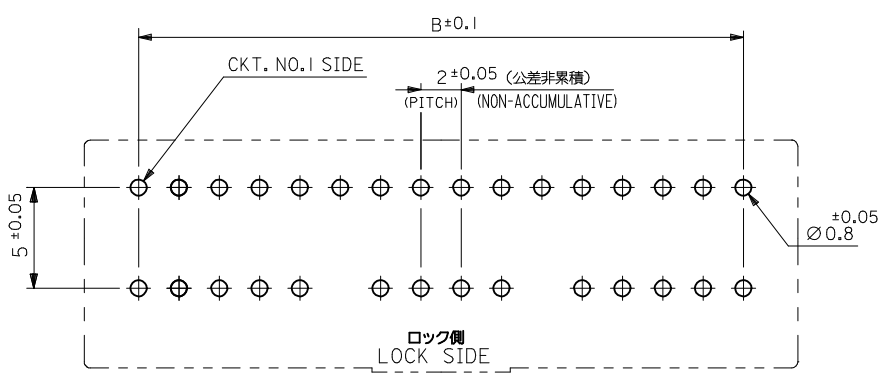


33.8	30	35.4	500637-321*	32
C	(B)	A	製品番号 MATERIAL NO.	極数 CKT.

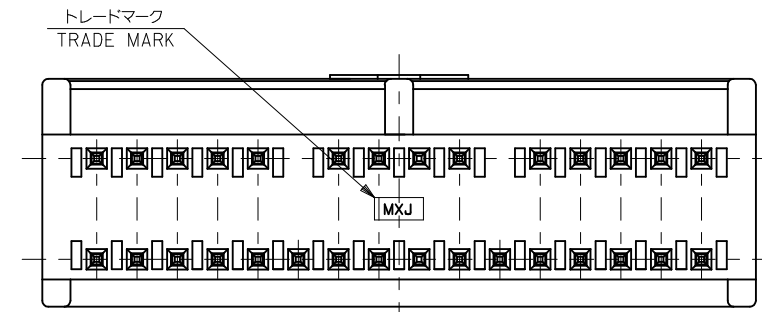
REVISED EC NO: J2016-0382 DRW: KYAMADA02 2015/08/07 CHK: KASAKAWA 2015/10/29 APPR: NUKITA 2015/11/02	GENERAL TOLERANCES (UNLESS SPECIFIED)		DIMENSION STYLE MM ONLY		SCALE ---	DESIGN UNITS METRIC	MODEL NO. 500637-***1*	THIRD ANGLE PROJECTION
	0.25 UNDER	UNDER	±0.03	DRAWN BY M. NABEI	DATE '06/05/17	TITLE 2.0MM W/B DUAL HIGH-BOX CONN DIP PLUG HSG ASSY		
	0.25 OVER	0.5 UNDER	±0.05	CHECKED BY K. TOYODA	DATE '06/05/17			
	0.5 OVER	1.0 UNDER	±0.1	APPROVED BY N. UKITA	DATE '06/05/17			
1.0 OVER	10 UNDER	±0.2	MATERIAL NO.		DOCUMENT NO. SD-500637-001	SHEET NO. 1 OF 2		
10 OVER	30 UNDER	±0.25	SEE CHART		THIS DRAWING CONTAINS INFORMATION THAT IS PROPRIETARY TO MOLEX INCORPORATED AND SHOULD NOT BE USED WITHOUT WRITTEN PERMISSION			
30 OVER		±0.3	SIZE A3					
ANGULAR		±3 °	DRAFT WHERE APPLICABLE MUST REMAIN WITHIN DIMENSIONS					

9 8 7 6 5 4 3 2 1

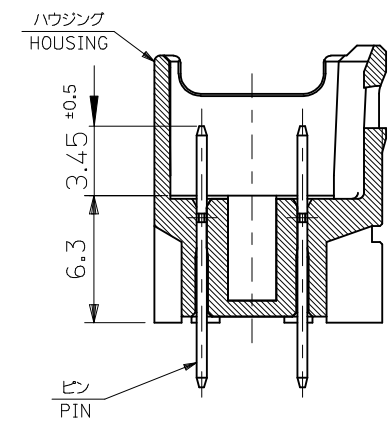
10 9 8 7 6 5 4 3 2 1



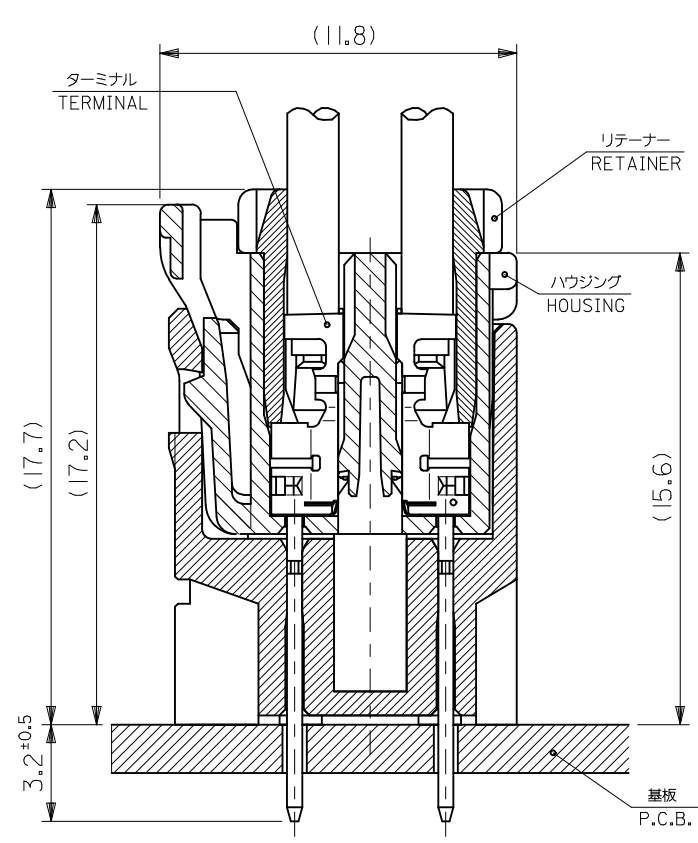
基板取付穴推奨寸法 (マウント面)
 RECOMMENDED P.C. BOARD
 HOLE DIMENSION
 (MOUNTING SIDE)
 (t=1.6)



VIEW "T"



SECT. R-R



嵌合断面図 (参考)
 MATED DRAWING (REF.)

REVISED	EC NO: J2016-0382	2015/08/07	2015/10/29	2015/11/02	GENERAL TOLERANCES (UNLESS SPECIFIED)		DIMENSION STYLE		SCALE	500637-**1*	MODEL NO.
	DRWN: KYAMADA02	CHKD: KASAKAWA	APPR: NUKITA	DESCRIPTION	0.25 UNDER	UNDER	±0.03	MM ONLY	---	DESIGN UNITS	THIRD ANGLE PROJECTION
					0.25 OVER	0.5 UNDER	±0.05	DRAWN BY	DATE	METRIC	
					0.5 OVER	1.0 UNDER	±0.1	M. NABEI	'06/05/17		TITLE
					1.0 OVER	10 UNDER	±0.2	CHECKED BY	DATE		
					10 OVER	30 UNDER	±0.25	K. TOYODA	'06/05/17		
					30 OVER		±0.3	APPROVED BY	DATE		
					ANGULAR	±3 °		N. UKITA	'06/05/17		
					DRAFT WHERE APPLICABLE MUST REMAIN WITHIN DIMENSIONS			MATERIAL NO.		DOCUMENT NO.	SHEET NO.
								SEE CHART		SD-500637-001	2 OF 2
								SIZE	THIS DRAWING CONTAINS INFORMATION THAT IS PROPRIETARY TO MOLEX INCORPORATED AND SHOULD NOT BE USED WITHOUT WRITTEN PERMISSION		
								A3			

9 8 7 6 5 4 3 2 1