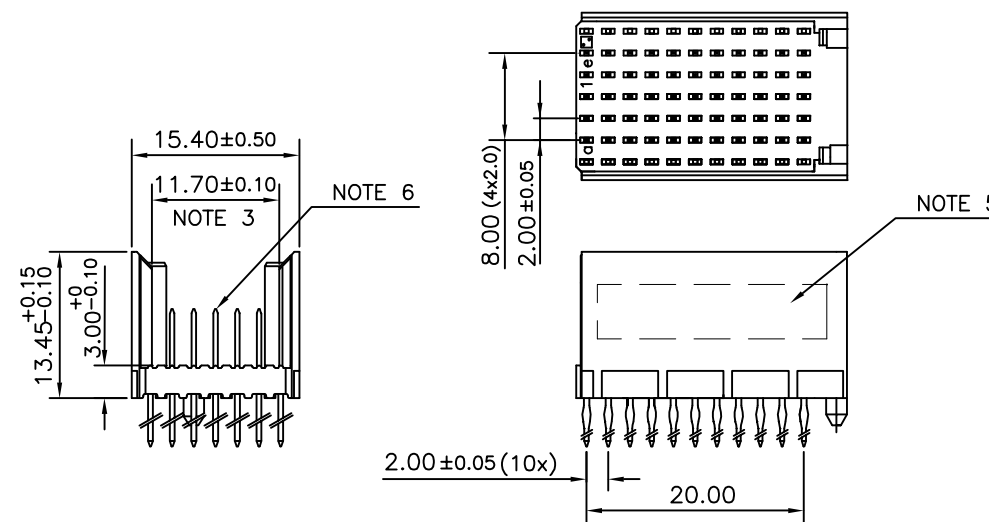


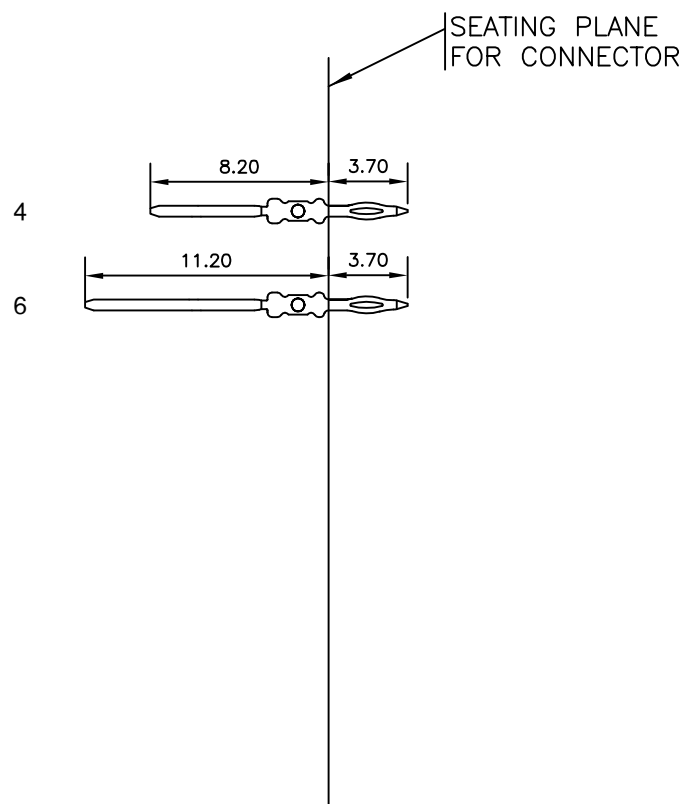
LOADING PATTERN MATING SIDE

f	0	0	0	0	0	0	0	0	0	0
e	4	4	4	4	4	4	6	6	6	6
d	4	4	4	4	4	4	6	6	6	6
c	4	4	4	4	4	4	6	6	6	6
b	4	4	4	4	4	4	6	6	6	6
a	6	6	6	6	6	4	6	6	6	6
z	0	0	0	0	0	0	0	0	0	0
P	0									
S	1						5			0

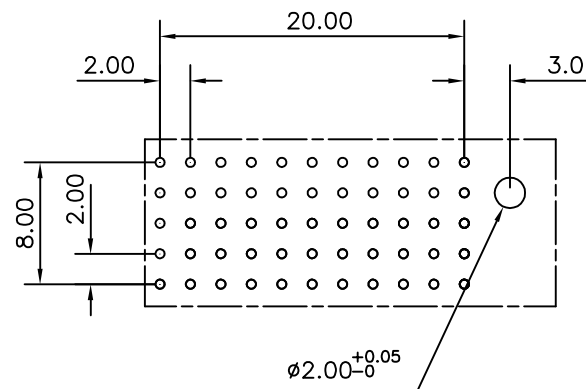
LOADED CONNECTOR ASSEMBLY
(FOR EXAMPLE)



CONTACT OVERVIEW



LAY-OUT P.C.B.-HOLE



HM2P09PDK3G0 **LEAD FREE INDICATOR : LF = LEAD FREE (DIGIT 15 & 16)**
PLATING CODE (DIGIT 13 AND 14)
 (REF DRW NO. BS,C , 201844 , 003)

NOTES

1. THIS PRODUCT IS CSA APPROVED.
2. THIS PRODUCT IS UL RECOGNIZED.
3. MEASURED AT THE BOTTOM.
4. MATERIAL CONTACT: PHOSPHORBRONZE
HOUSING: CREAM WHITE GLASS FILLED POLYESTER UL-94V0
5. CONNECTOR PRINTED WITH P/N AND DATE CODE.
6. FOR ACTUAL CONTACT LOADINGS, SEE LOADING PATTERN MATING SIDE.
7. SHAPE OF CONNECTOR HOUSING CAN ALTER DEPENDING ON PRODUCTION LOCATION
8. THIS PRODUCT (LF) MEETS EUROPEAN UNION DIRECTIVES AND OTHER COUNTRY REGULATIONS AS DESCRIBED IN GS-22-008
9. FOR RECOMMENDED PTH DIMENSIONS REFER DRAWING : BS, A , 201572 , 001

CATALOG NO: HM2P09PDK3G0- - -

mat'l. code SEE NOTE 4		surface ISO 1302 ✓	tolerance ISO 406 ISO 1101	projection 	product family MLLIPACS
ltr	ecn no	dr	date	tolerances unless otherwise specified	
A	108-0001	MNI	2008-01-05	angles	linear
				0°±1°	.0±0.2 .00±0.1
				dr	MINI K VANDANATHI 2008-01-05
				enr	ALEX BABU 2008-01-05
				chr	ALEX BABU 2008-01-05
				appd	BUJU K PAUL 2008-01-05
sheet index	revision sheet	A	1	scale -	

title
MPACS 5+2R STR HDR PF CONN TYPE C

dwg no
BS, C ,203028, 794

sheet 1 of 1
size A3

type Product Customer Drawing

FCIconnect.com
Copyright FCI