



MADE IN THE USA

### Product Description:

- Personal Wipe Dispenser - Tall-Thick
- Holds one pack personal wipes
- Two-way keyholes for vertical or horizontal wall mounting
- Made of Clear PETG Plastic

### Primary Area for Product Usage:

- Any location which requires any type of personal wipes at the point of use: bathrooms, laboratory, O.R., clinical areas, dental, veterinary, salons

### Dispenses:

- One tall, thick pack of personal wipes
- Packages no larger than 6.00"W x 11.00"H x 2.00"D (15.2 cm x 27.9 cm x 5.1 cm)

### Package Specifications:

- Package Quantity: 6 per case
- 16"W x 12"H x 12"D (40.6 cm x 30.5 cm x 30.5 cm)
- 7.0 lbs (3.2 kg) - approximated

### Product Specifications (overall external dimensions):

- 6.20"W x 10.35"H x 2.20"D (15.7 cm x 26.3 cm x 5.6 cm)
- 0.7 lbs (0.3 kg) - approximated

### Mounting Specifications:

### Alternative Products (each sold separately):

- CL011-0111, Personal Wipe Dispenser - Short
- CL012-0111, Personal Wipe Dispenser - Short Thick
- CL021-0111, Personal Wipe Dispenser - Tall



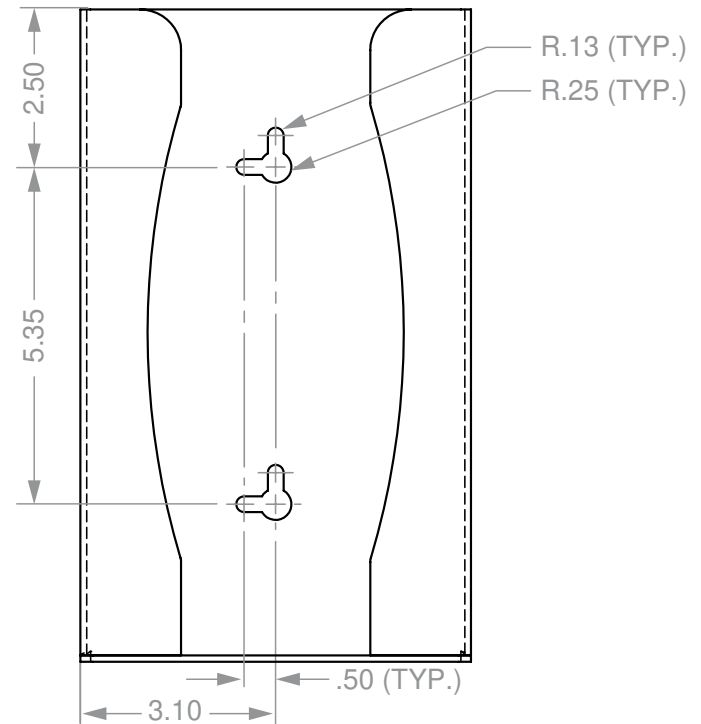
CL011-0111



CL012-0111



CL021-0111

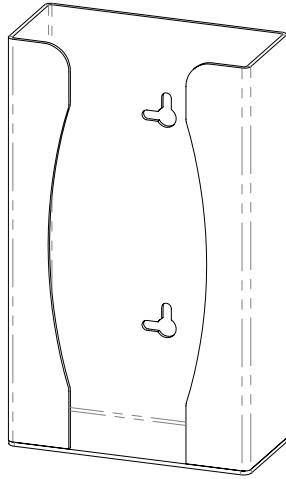




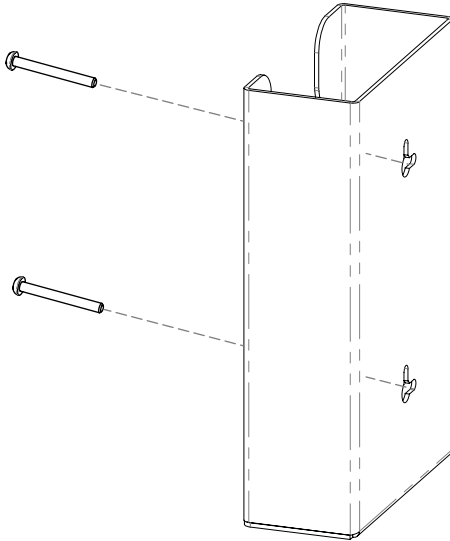
### Installation

Always mount dispensers securely *prior* to loading with product.

- Clear design enables unobstructed view of package information.
- Open front accommodates a wide variety of precut box openings.



- Mount securely to a wall with screws approved and supplied by building maintenance.



#### Parts included:

- Dispenser

#### Tools Required:

- No tools required to assemble dispenser

### Care and Construction PETG Plastic

#### Material Characteristics

#### Designed for Long-Term Heavy-Duty Applications

Copolyester resin is designed for heavy-duty applications, and is used by BOWMAN® Dispensers. We never use acrylic in our products.

Copolyester (PETG) is typically 15-20 times tougher than general purpose acrylic. PETG is made to withstand handling and reduce losses due to breakage.

PETG resists a variety of chemicals and commonly used cleaning agents. It is tough and durable (not brittle), providing years of trouble-free functionality and long life.

Clear optical characteristics mean the viewer can see the content, read text, and see true colors through the material. It complies with FDA regulations for food contact.

#### Care and Cleaning

Most cleaning chemicals do not weaken the surface or cause damage to the material. Suggested cleaning method is to use a soft cloth, warm water, and mild soap.