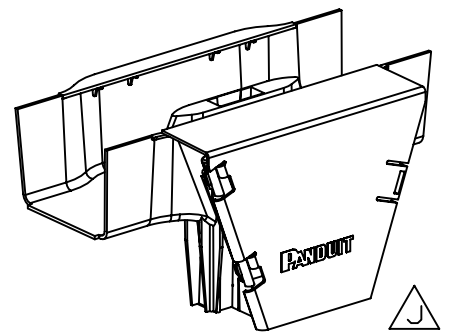
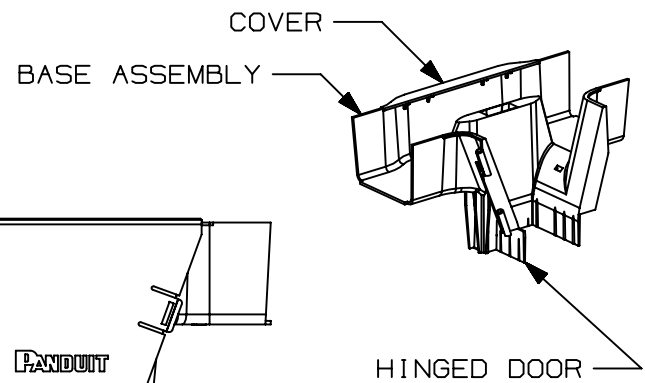
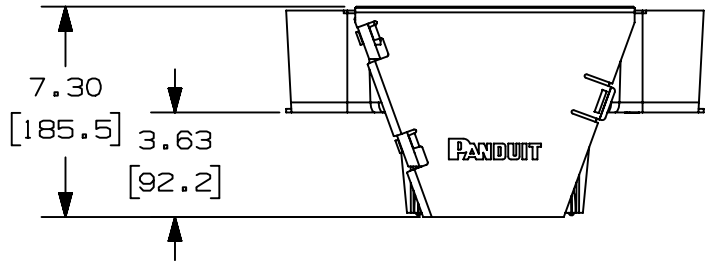
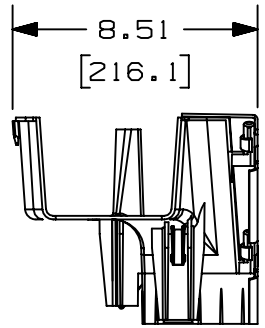
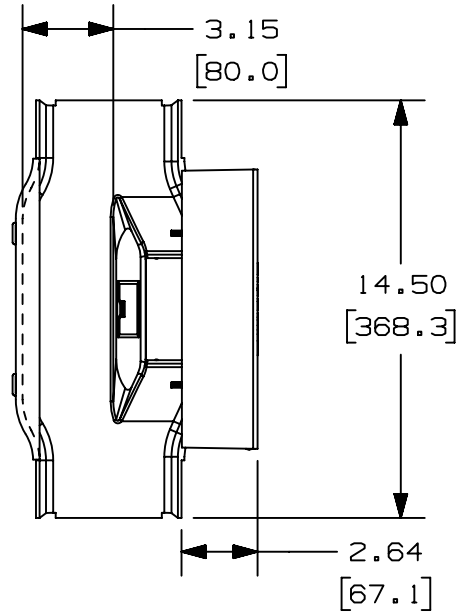


THIS COPY IS PROVIDED ON A RESTRICTED BASIS AND IS NOT TO BE USED IN ANY WAY DETRIMENTAL TO THE INTERESTS OF PANDUIT CORP.



NOTES:

1. SEE CURRENT CATALOG FOR ADDITIONAL PART SUFFIXES TO INDICATE COLOR AND/OR PACKAGE QUANTITY.
2. DIMENSIONS IN PARENTHESES ARE IN METRIC.
3. PARTS SUPPLIED:
 - (1) - QUIKLOCK VERTICAL TEE BASE ASSEMBLY
 - (1) - QUIKLOCK VERTICAL TEE COVER
 - (1) - HINGED DOOR

PANDUIT PART NUMBER	WEIGHT	MATERIAL
FRVT4X4**	1.97 LB/EACH (893g/EACH)	ABS
FRVT4X4L**	1.97 LB/EACH (893g/EACH)	PC/ABS

TITLE		FIBERRUNNER 4X4 QUIKLOCK VERTICAL TEE FITTING (FRVT4X4 & FRVT4X4L**)	
CUSTOMER DRAWING			
ITEM REVISION NAME		D37847DE/02	
DATASET FILE NAME		D37847DE_DC_FRVT4X4/02C	
MATERIAL		SEE PART NUMBER TABLE ABOVE	
DRAWING NUMBER		37847-72	
THIRD ANGLE PROJECTION			
DRAWN BY	DATE	CHK	SCALE
JHNU	07-19-01	WAB	NONE
REV	DATE	BY	CHK
04B	08/24/20	PJST	DWR
4	05-15-13	JBN	RTFI
DESCRIPTION		ECN	
ADDED PART NUMBER		V09002DZ/11	
J. UPDATED DRAWING BORDER & TITLE BLOCK		37847-72	
SHT 1 OF 1		A	

D10100DA/14