

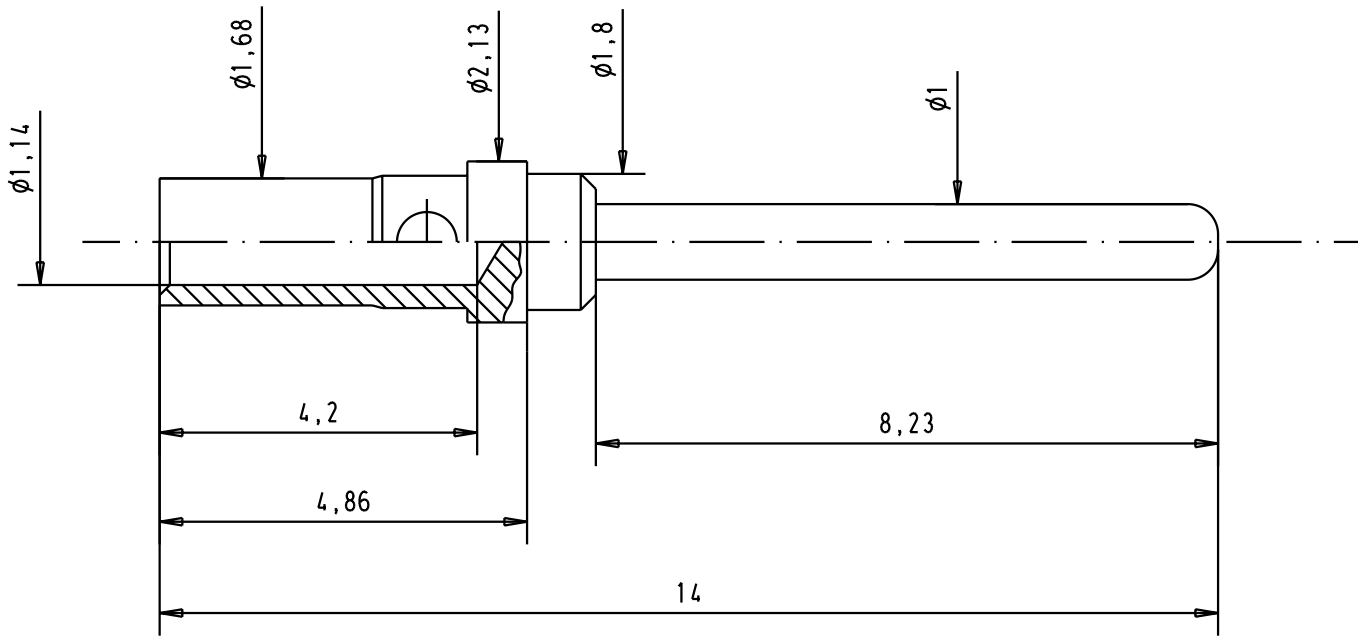
5

4

3

2

1



crimping of AWG 20-24: hand tool with positioner 09 99 000 0505

A

					Detail.	18-JUL-02	CV		Male turned signal contact, with crimp termination for AWG 20-24		Maßstab/Scale	10:1	
					Insp.			All Dim. in mm					
					Stand.			Orig. Size DIN A 4					
09692827310	0,2 µm Au				HARTING EURL			TB 09 69 282 x310		Blatt/ Page	1		
09692825310	0,8 µm Au	31062	18-JUL-02	CV	F-95972 Paris					1			
Part number	Gold plating (over Nickel)	Mod.	Dat.	Name				Sub.		1			