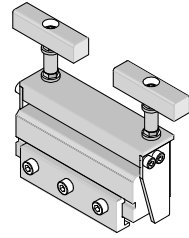




**10GB FRU
Coplanar
Extraction Tool**

**Application Tooling
Specification Sheet**



Order No. 62100-0600

FEATURES

- This tool is designed for the removal of the 10GB FRU Coplanar Assembly from a printed circuit board (PCB).

SCOPE

Products: 10GB FRU Coplanar Assembly, 216 circuit. See Product List below for specific part numbers.

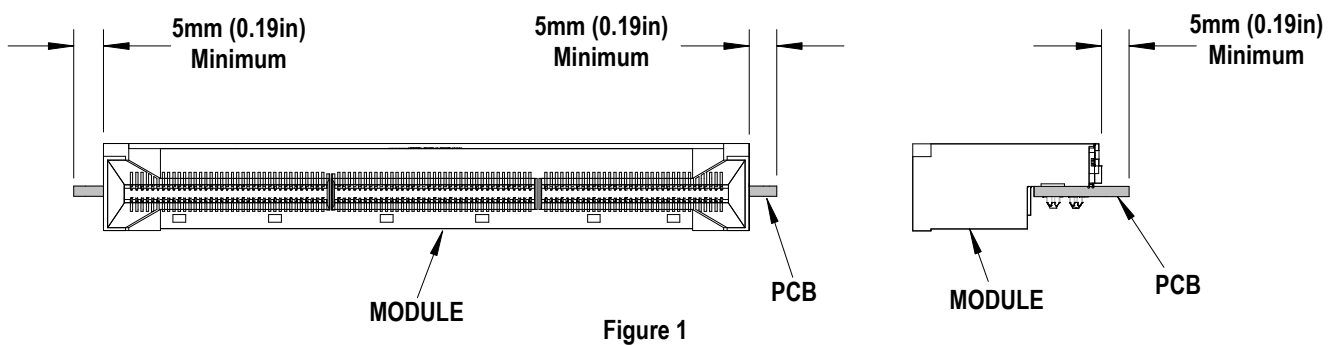
Product List

The following is a partial list of the product order numbers and their specifications this tool is designed to run. Updates to this list are available on www.molex.com.

Power Module Series No.	Assembly No.	Description
170082	170082-0216	High Speed Coplanar

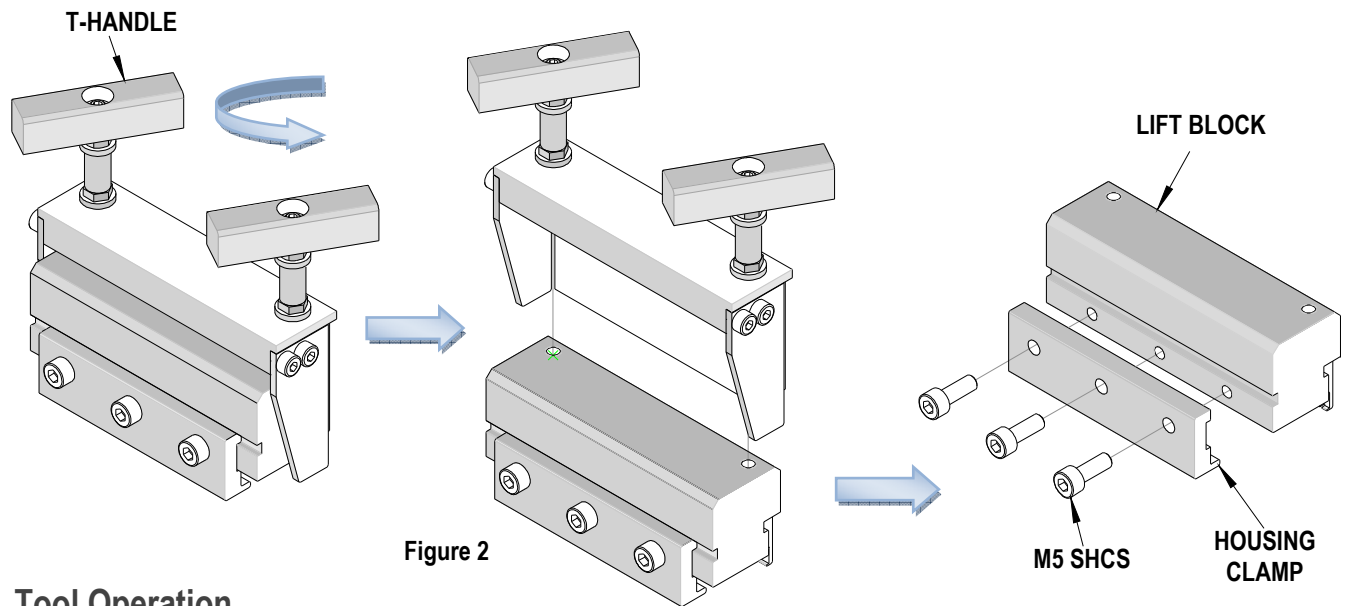
Keep-out Zone Information

Part of this extraction tool needs to contact the PCB. This contact area must be free of components as shown below.



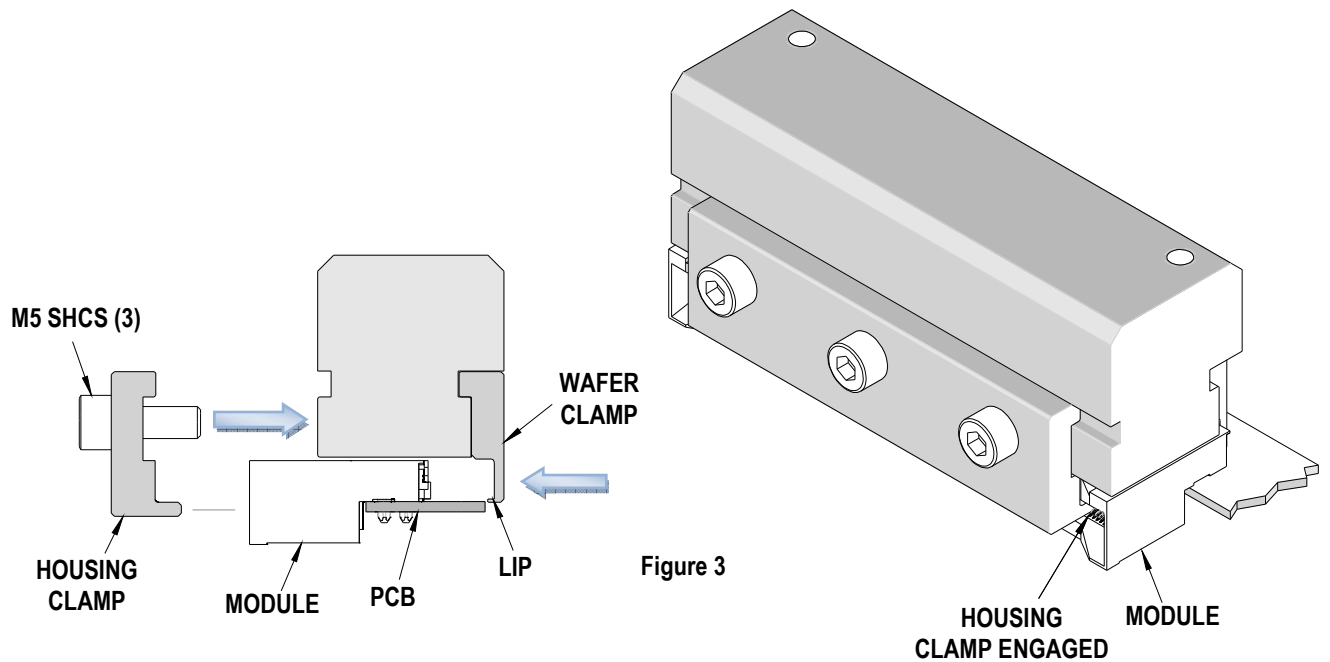
Tool Setup

1. Remove the lift assembly from the tool by turning the (2) T-handles counterclockwise (CCW)
2. Separate the front clamp from the lift block by removing the (3) M5 socket head cap screws. See Figure 2.



Tool Operation

1. Install the lift block over the connector assembly. Make sure the lip of the wafer clamp is under the wafers. See Figure 3.
2. Install the housing clamp on the lift block. The lip on the housing clamp enters the card slot of the connector.
3. Tighten the (3) M5 socket head cap screws to hold the housing clamp on the lift block.



4. Place the frame assembly over the clamps. The frame is a close fit to the sides of the connector. See Figure 4.
5. With the bottom of the frame touching the PCB, turn the T-handles clockwise (CW) to extract the connector.
6. Remove the connector from the tool by turning the T-handles counterclockwise (CCW) and removing the housing clamp.

CAUTION: Molex application tooling specifications are valid only when used with Molex connectors and tooling.

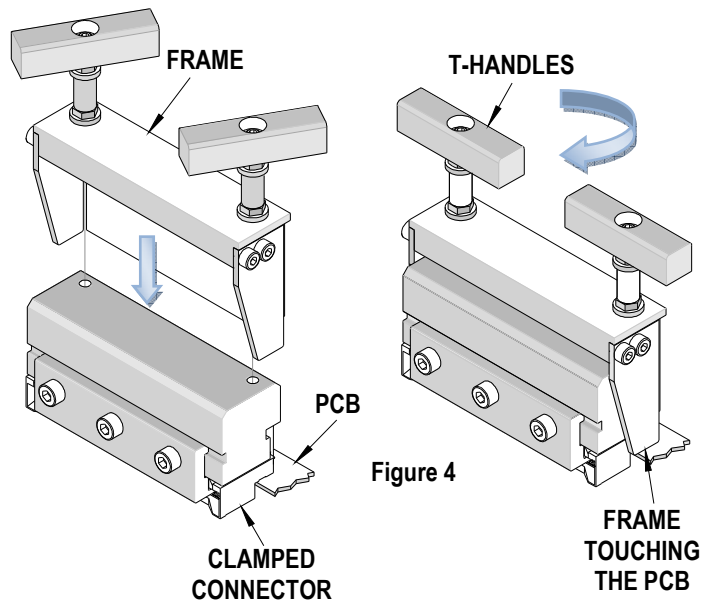


Figure 4

Contact Information

For more information on Molex application tooling please contact Molex at 1-800-786-6539.

Parts List

Extraction Tool 62100-0600				
Item	Order No	Engineering No.	Description	Quantity
Tooling				
1	62100-0601	62100-0601	Top Support	1
2	62100-0602	62100-0602	Lifting Block	1
3	62100-0606	62100-0606	Wafer Clamp Jaw	1
4	62100-0608	62100-0608	Housing Clamp Jaw	1
5	62100-6204	62100-6204	T-Handle	2
6	62100-7103	62100-7103	Side Support	2
7	62100-7404	62100-7404	Rear Support	1
8	63600-1959	63600-1959	Collar	2
9	63600-1960	63600-1960	Stop Screw	2
Hardware				
10	N/A	N/A	M3 by 8 Long SHCS	4**
11	N/A	N/A	M4 by 10 Long SHCS	7**
12	N/A	N/A	M5 by 14 Long SHCS	3**
13	N/A	N/A	M5 by 0.8 Jam Nut	4**
14	N/A	N/A	M5 Washer	4**
15	N/A	N/A	E-Ring, 0.187 Shaft	2**
** Available from an industrial supply company such as MSC (1-800-645-7270).				

Assembly Drawing

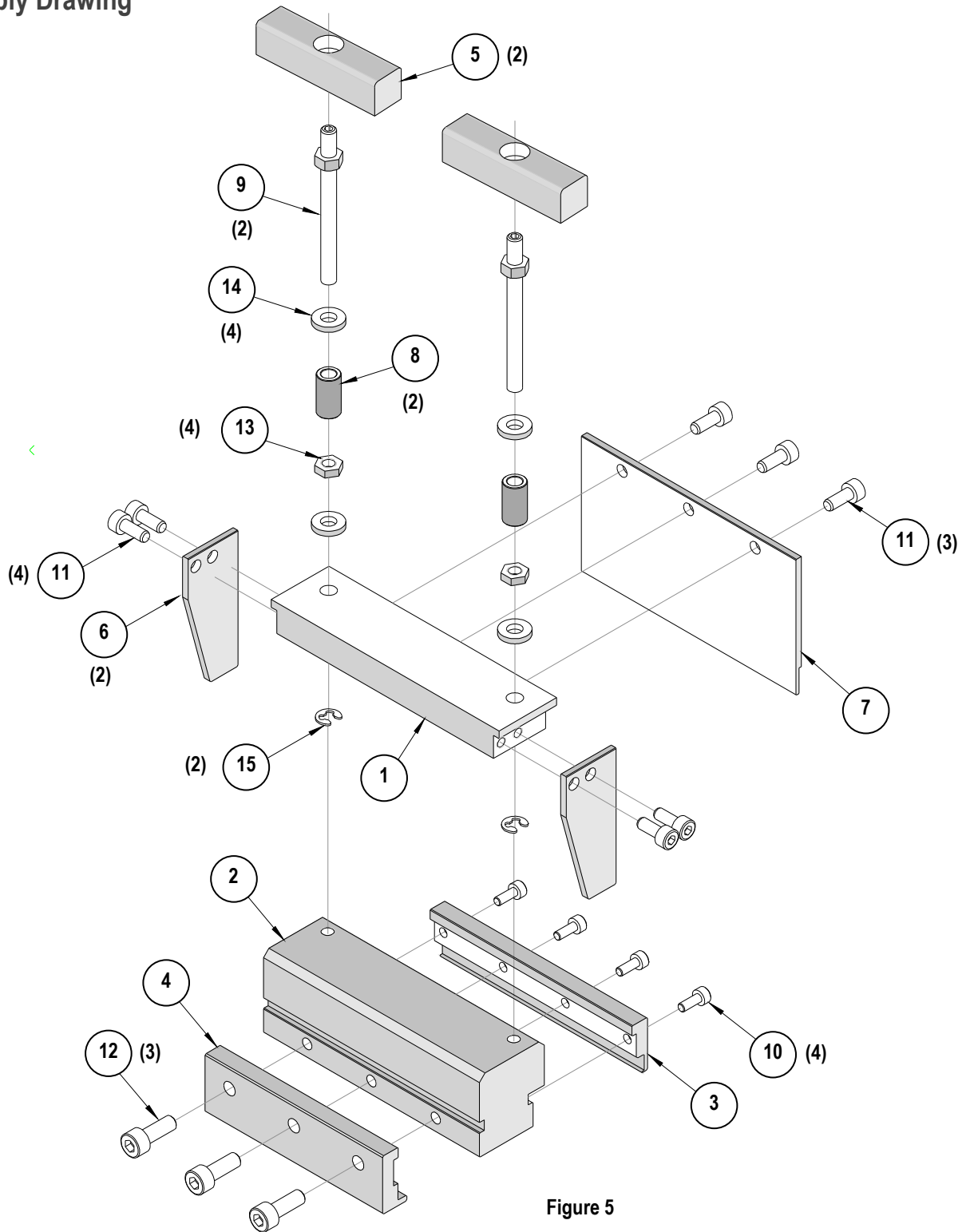


Figure 5

Visit our Web site at <http://www.molex.com>