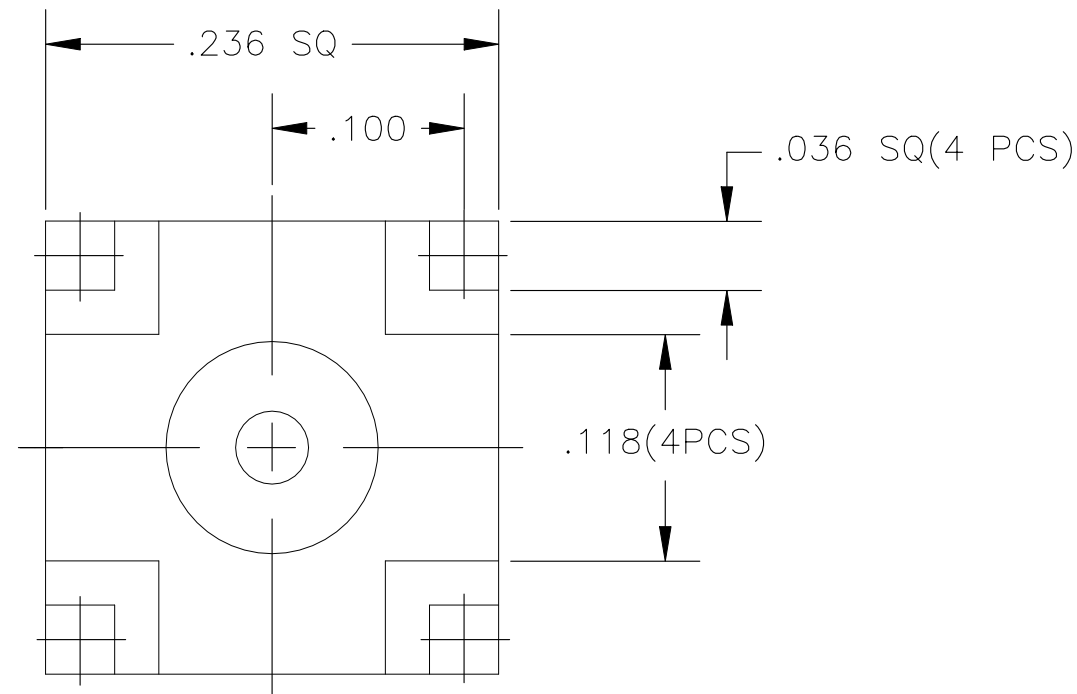
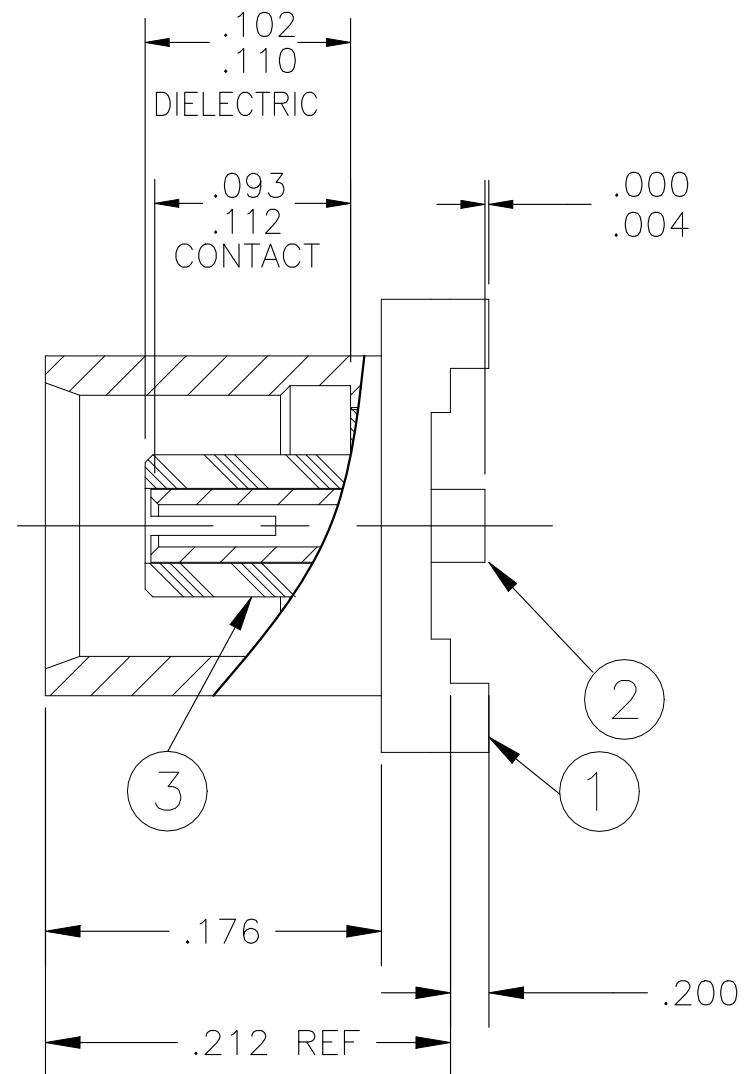


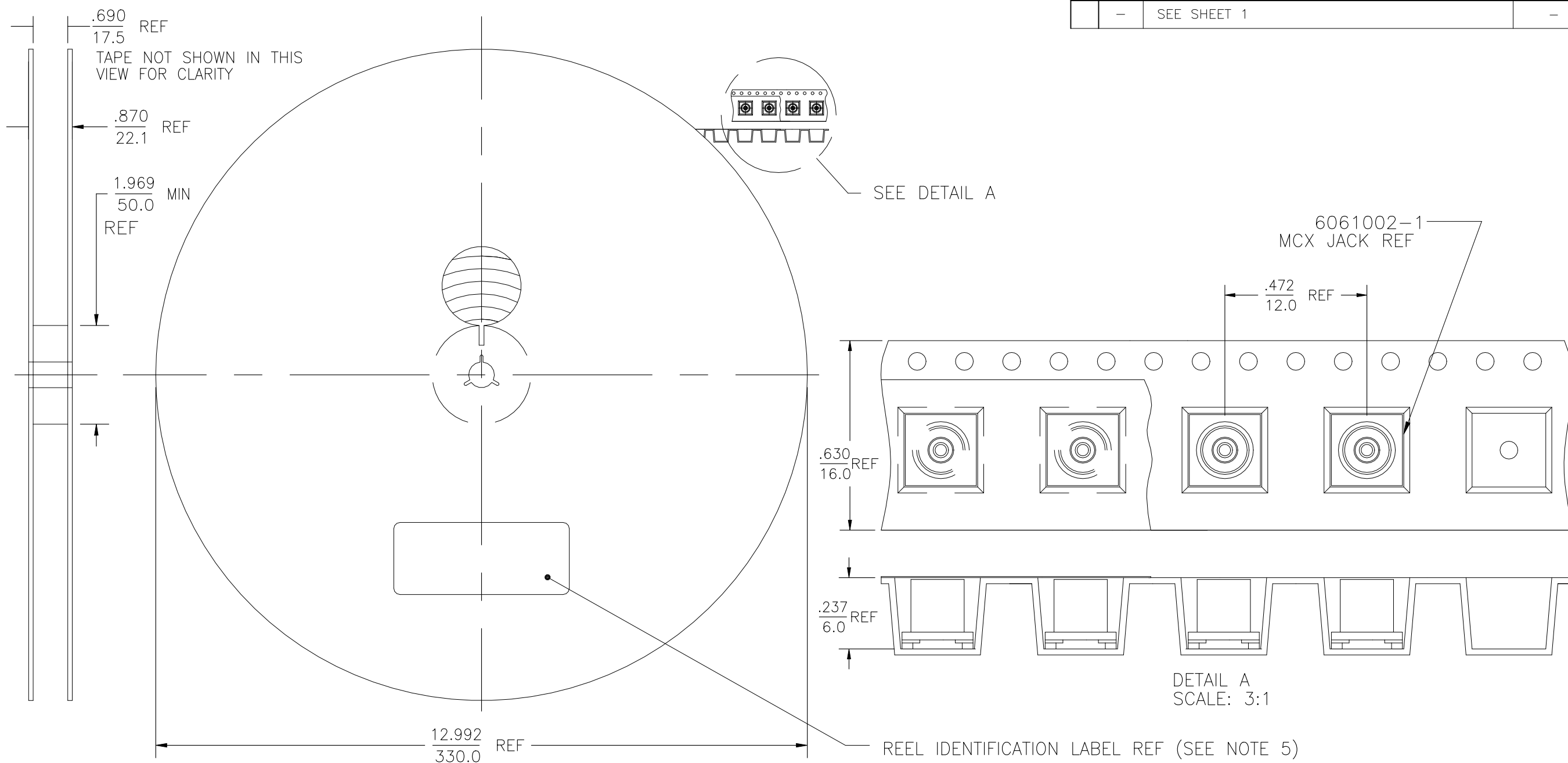
REVISIONS				
P	LTR	DESCRIPTION	DATE	APVD
	B1	REVISED PER ECR-22-156130	20OCT2022	ED WH



QTY.	MATERIAL AND PLATING	DESCRIPTION	ITEM #
1	PTFE	DIELECTRIC	3
1	BECU AND GOLD PLATING	CONTACT	2
1	BRASS AND GOLD PLATING	HOUSING	1

THIS DRAWING IS A CONTROLLED DOCUMENT.		DWN L. VARELA - DOCK5 01FEB2005	STE TE Connectivity	
		CHK J. HAVENER 01FEB2005		
DIMENSIONS: INCHES [mm]		APVD K. WEIDNER 01FEB2005	NAME	
		PRODUCT SPEC	TAPE & REEL PACKAGING MCX JACK, 330mm REEL (900 PARTS PER REEL) (5899-5004-54)	
TOLERANCES UNLESS OTHERWISE SPECIFIED: 0 PLC ± - 1 PLC ± - 2 PLC ± - 3 PLC ± .005 4 PLC ± - ANGLES ± 1°		APPLICATION SPEC	SIZE	RESTRICTED TO
MATERIAL		WEIGHT	CAGE CODE	DRAWING NO
FINISH		0.000000	A300779	C-6061092
		CUSTOMER DRAWING		SCALE 1:2
				SHEET 1 OF 2
				REV B1

REVISIONS					
P	LTR	DESCRIPTION	DATE	DWN	APVD
-	-	SEE SHEET 1	-	-	-



1. TAPE, REEL, AND TAPING SHALL MEET THE REQUIREMENTS OF EIA-481-2.
2. EMBOSSED TAPE SHALL BE CONDUCTIVE TYPE.
3. FOR PART ORIENTATION IN TAPE SEE DETAIL A.
4. REEL SHALL CONTAIN 900 PIECES P/N 6061002-1
5. REEL IDENTIFICATION LABEL SHALL BE PRINTED WITH REEL P/N, CONNECTOR P/N, MANUFACTURER QTY, AND TAPING DATE AS A MINIMUM.

THIS DRAWING IS A CONTROLLED DOCUMENT.		DWN L. VARELA - DOCK5 01FEB2005			
DIMENSIONS: INCHES		CHK J. HAVENER 01FEB2005			
TOLERANCES UNLESS OTHERWISE SPECIFIED:		APVD K. WEIDNER 01FEB2005	NAME TAPE & REEL PACKAGING MCX JACK, 330mm REEL (900 PARTS PER REEL) (5899-5004-54)		
		PRODUCT SPEC -	SIZE A3	CAGE CODE 00779	DRAWING NO C-6061092
MATERIAL -		FINISH -	APPLICATION SPEC -	RESTRICTED TO -	SCALE 1:2
WEIGHT 0.000000			SHEET 2 OF 2	REV B1	CUSTOMER DRAWING