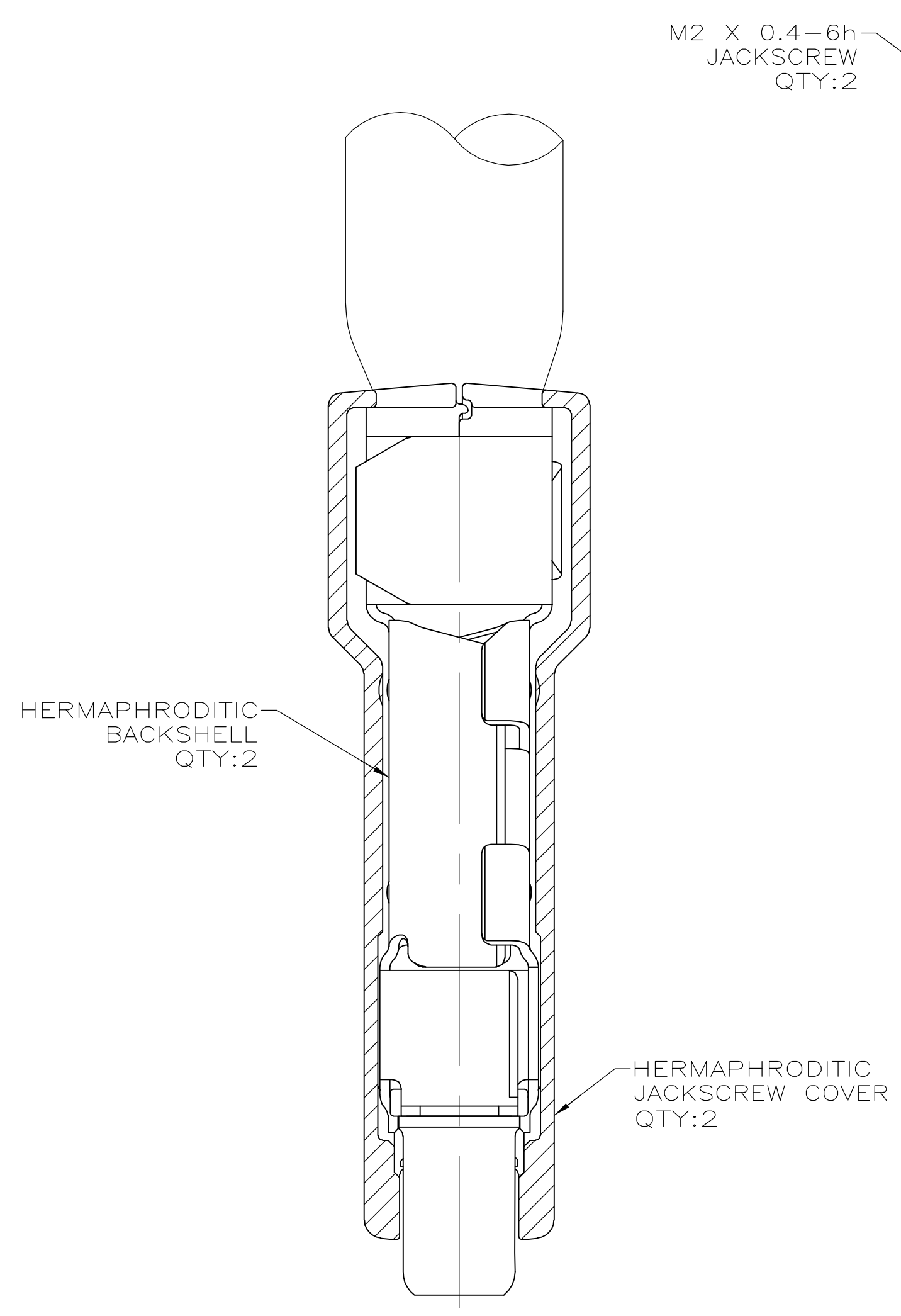
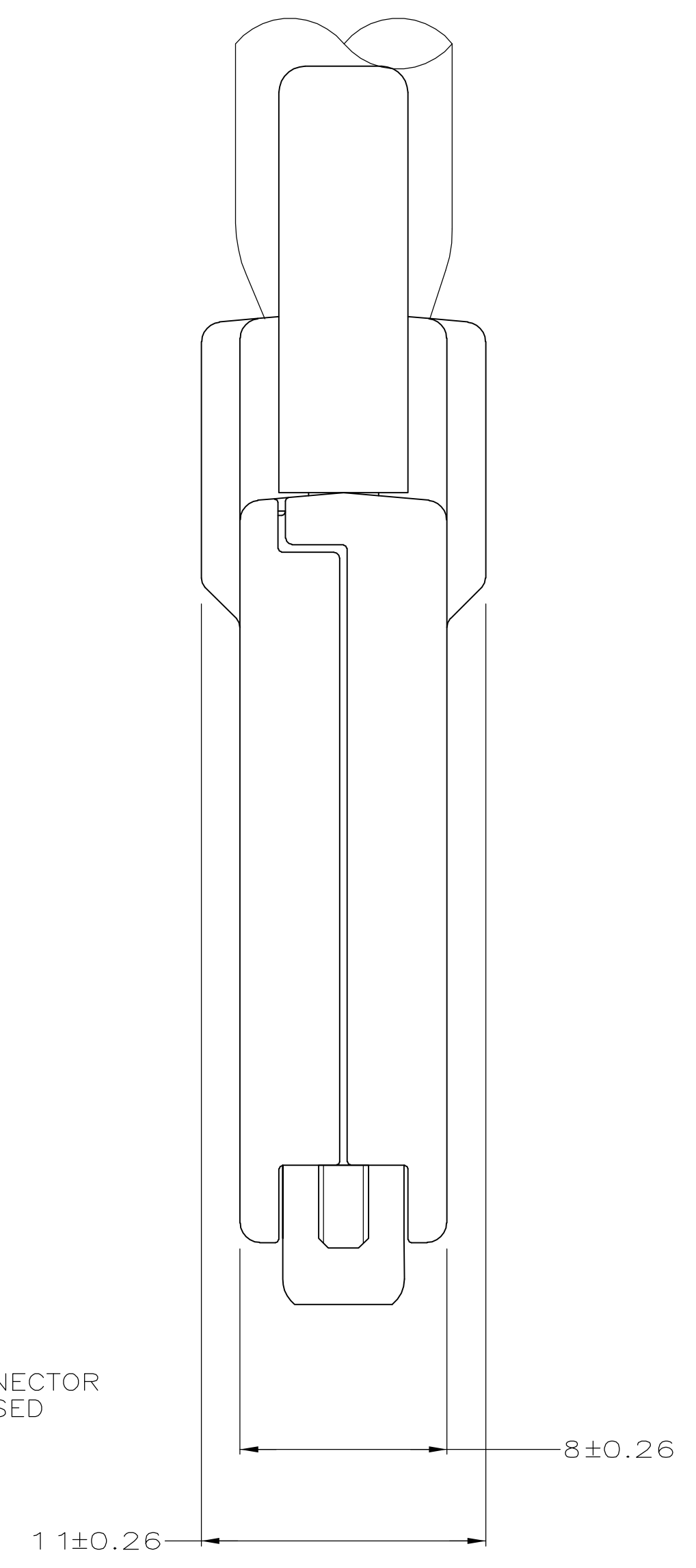
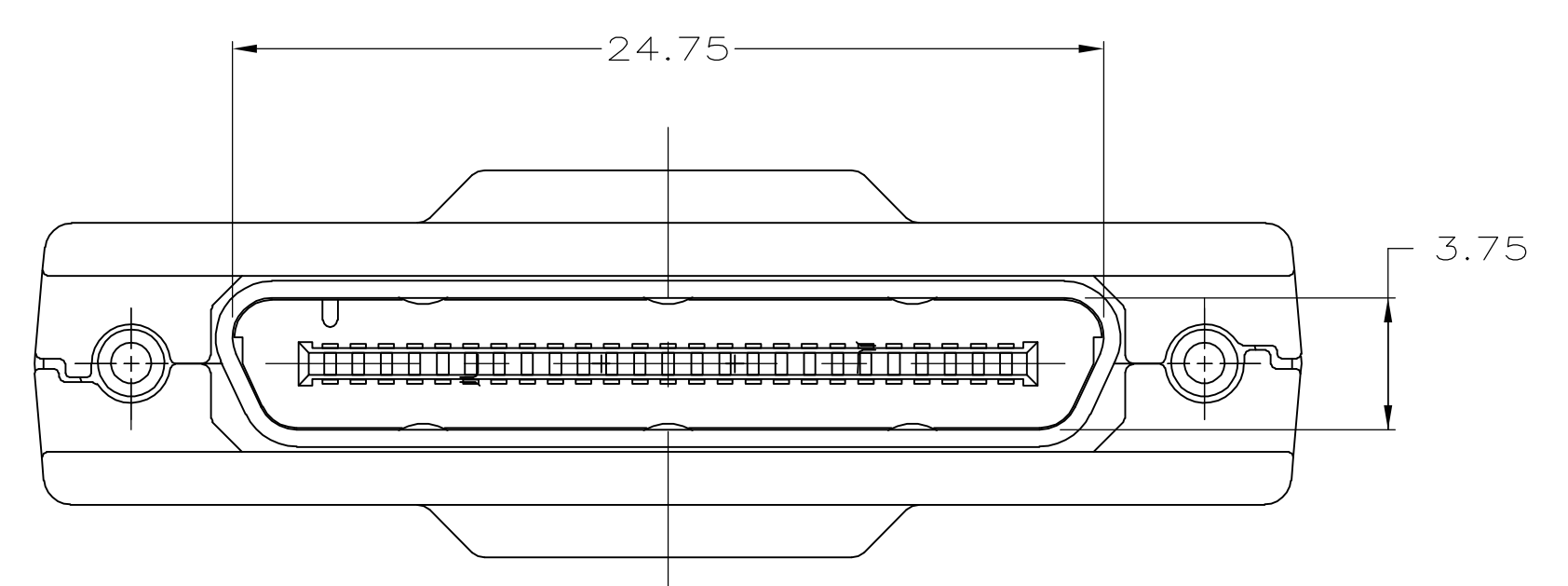
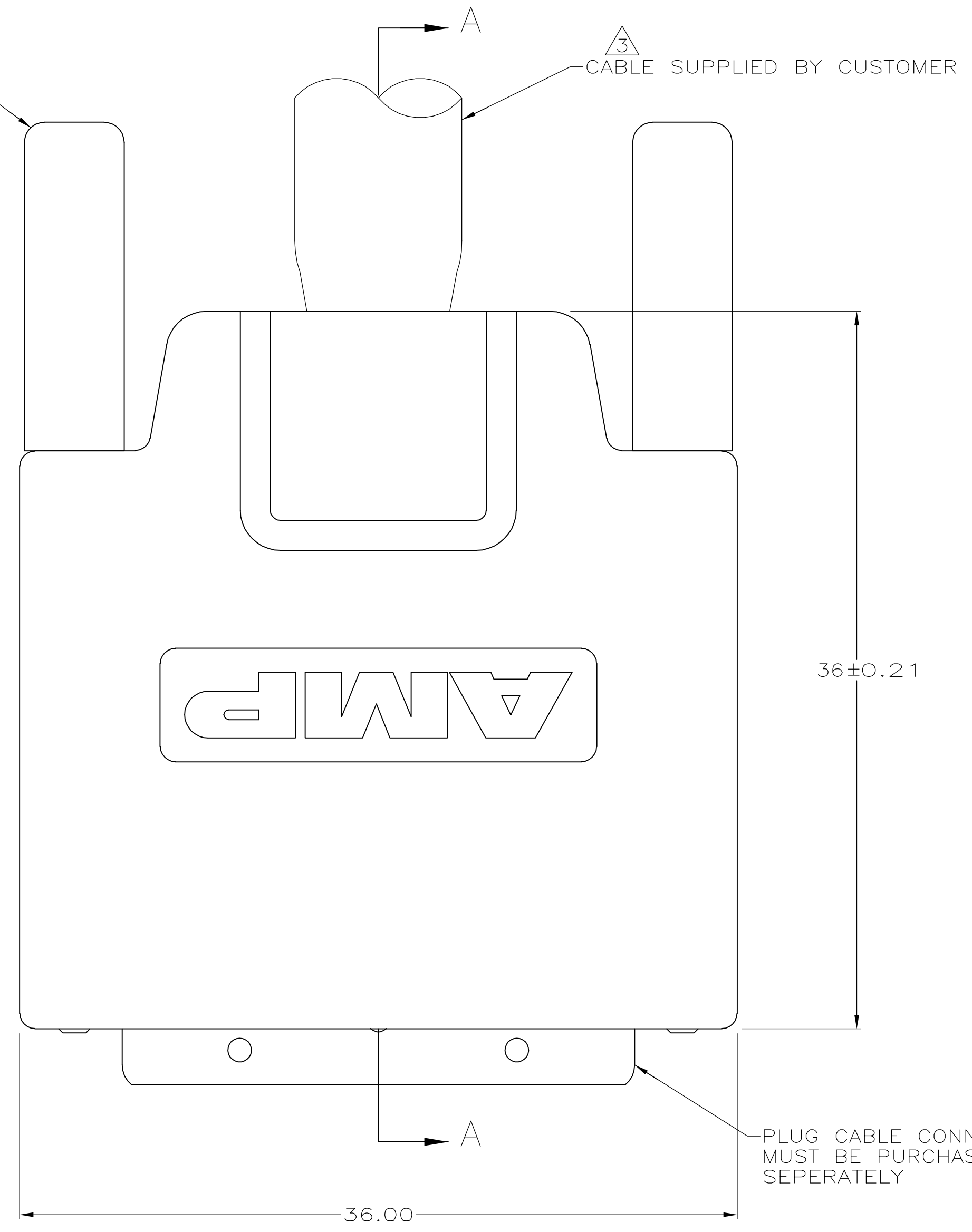


| LOC | | DIST | | REVISIONS | | | |
|-----|----|------------------------------|---------|-----------|-------|-----|------|
| GP | 00 | REV | DATE | BY | APP'D | REV | DATE |
| 0 | | RELEASED PER EC 0513-0337-06 | 16MAR06 | JG | SS | | |



SECTION A-A



- △ MATERIAL:
 HERMAPHRODITIC BACKSHELL: STEEL.
 JACKSCREW: STEEL.
 JACKSCREW HEAD: ABS MOLDING COMPOUND, COLOR BLACK.
 HERMAPHRODITIC JACKSCREW COVER: UL 94V-0 RATED ABS MOLDING COMPOUND, COLOR BLACK.
- △ PLATING:
 HERMAPHRODITIC BACKSHELL- 5µm MIN BRIGHT NICKEL OVER 2.5µm MIN COPPER.
 JACKSCREW - BLUE TRIVALENT CHROMIUM OVER ZINC.
- △ RECOMMENDED WIRE: 30 AWG WITH A 0.56-0.64 INSULATION DIAMETER, WIRE MUST BE APPROVED BY AMP ENGINEERING.
- 4. BULK PACKAGED 100 KITS PER BAG.

5787233-1
 PART NO

| | | | | |
|--|------------|--|---|---------------------|
| THIS DRAWING IS A CONTROLLED DOCUMENT. | | DWG: J.GERACE 16MAR06 | Tyco Electronics Corporation Harrisburg, PA 17105-3608 | |
| DIMENSIONS: mm | | CHK: S.SHUEY 16MAR06 | APPROVED: M.WALMSLEY 16MAR06 | |
| TOLERANCES UNLESS OTHERWISE SPECIFIED: | | NAME: BACKSHELL KIT, JACKSCREW, CABLE CONNECTOR, 0.8mm CHAMP | | |
| 0 PLC ± - | 1 PLC ± - | PRODUCT SPEC: 108-1471 | | |
| 2 PLC ± 0.13 | 3 PLC ± - | APPLICATION SPEC: - | | |
| 4 PLC ± - | ANGLES ± - | SIZE: A1 | CAGE CODE: 00779 | DRAWING NO: 5787233 |
| MATERIAL: 1 | FINISH: 2 | WEIGHT: - | SCALE: 5:1 | SHEET: 1 OF 1 |
| CUSTOMER DRAWING | | REV: 0 | | |