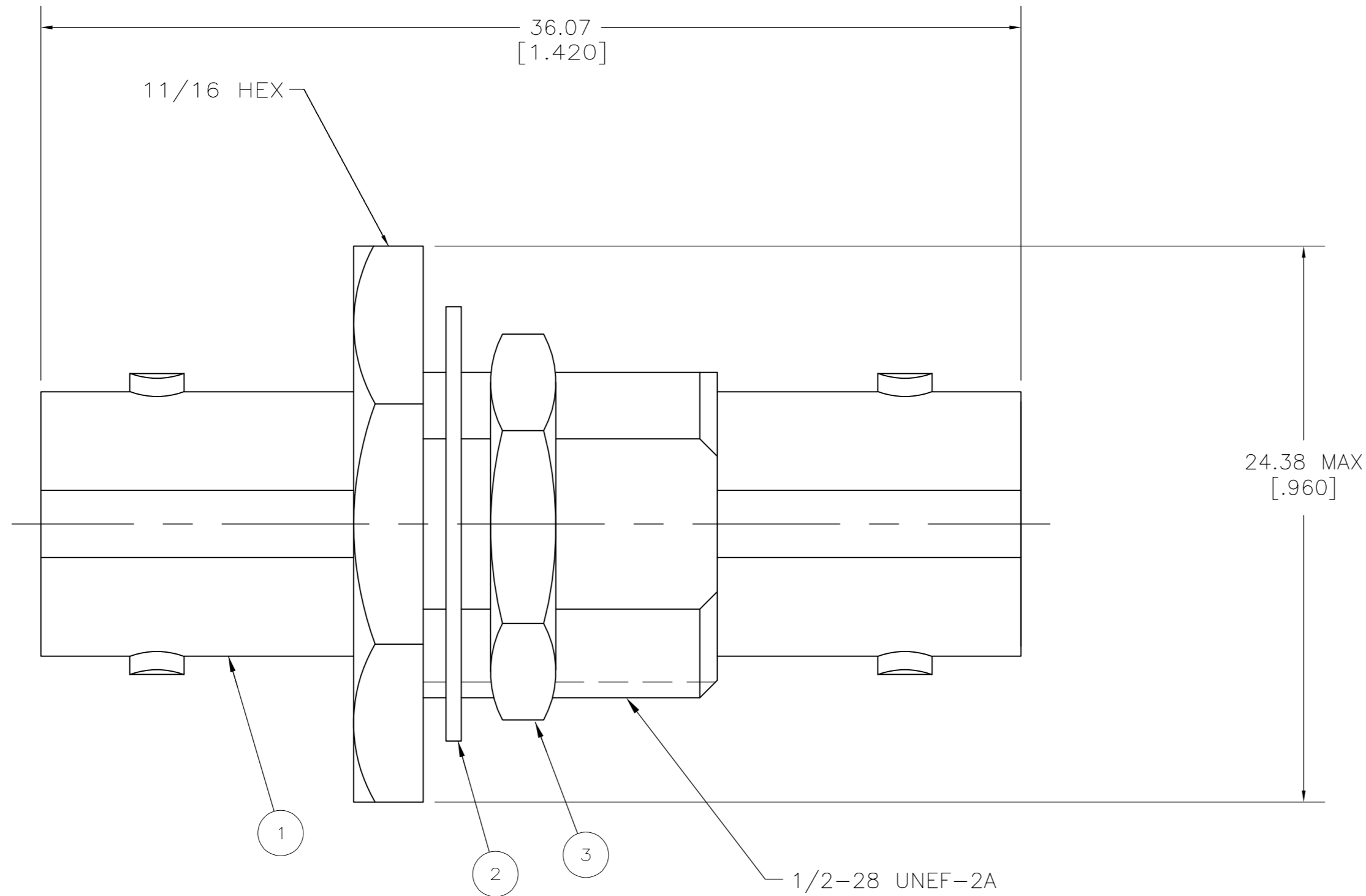
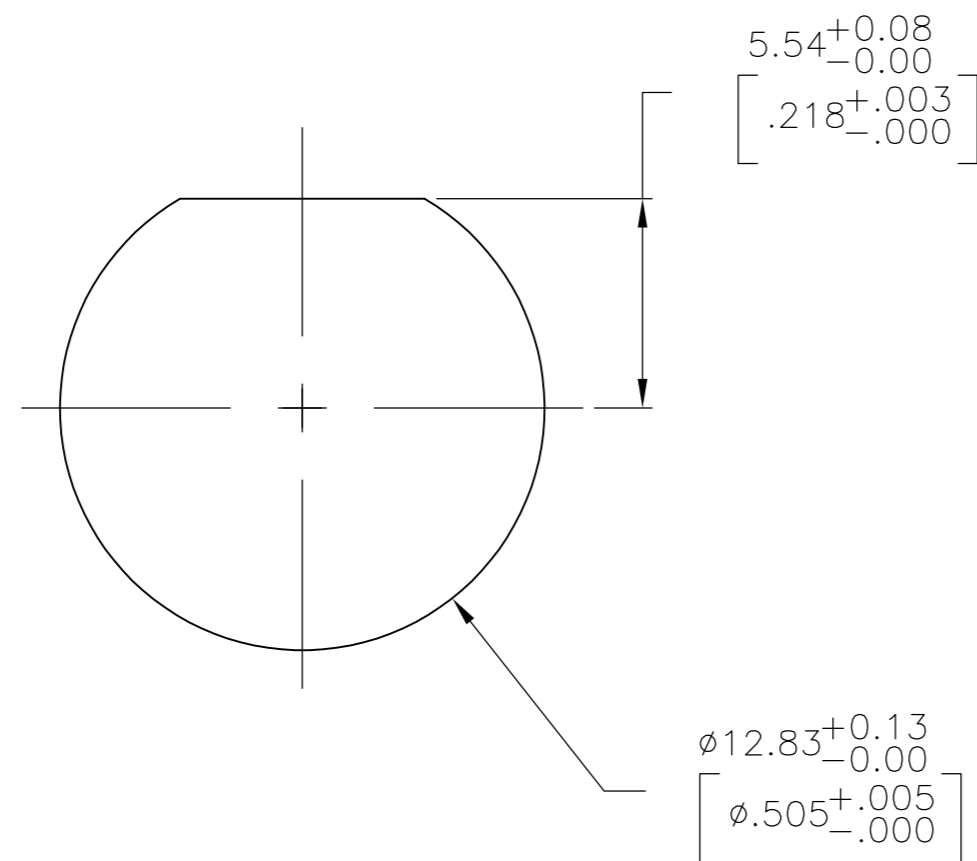


THIS DRAWING IS UNPUBLISHED. RELEASED FOR PUBLICATION
 © COPYRIGHT - By - ALL RIGHTS RESERVED.

LOC	DIST	REVISIONS			
P	LTR	DESCRIPTION	DATE	DWN	APVD
AJ	16	A1	REVISED PER ECO-11-005030	11MAR11	RK HMR



- PARTS PACKAGED UNASSEMBLED.
- PANEL THICKNESS = 6.35 [.250] MAX.



RECOMMENDED PANEL CUTOUT

1-329631-2	1-329632-2	228255-2	5228226-3
1-329631-2	1-329632-2	9-228255-0	5228226-1
③ JAM NUT QTY=1	② LOCK WASHER QTY=1	① JACK ADAPTER ASSEMBLY QTY=1	PART NUMBER

THIS DRAWING IS A CONTROLLED DOCUMENT.		DWN A. FERNANDEZ-DOCK5 18APR2005	TE Connectivity	
DIMENSIONS: mm [INCHES]		CHK J. HAVENER 18APR2005	NAME JACK TO JACK ADAPTER, BULKHEAD MOUNT, BNC	
TOLERANCES UNLESS OTHERWISE SPECIFIED:		APVD J. LIPPERT 18APR2005	SIZE A2	CAGE CODE 00779
0 PLC ± -	1 PLC ± -	PRODUCT SPEC	DRAWING NO C=5228226	RESTRICTED TO
2 PLC ± -	3 PLC ± -	APPLICATION SPEC	SCALE 5:1	SHEET 1 of 1
4 PLC ± -	ANGLES ± -	WEIGHT -	REV A1	
MATERIAL -	FINISH -	CUSTOMER DRAWING		

5228226