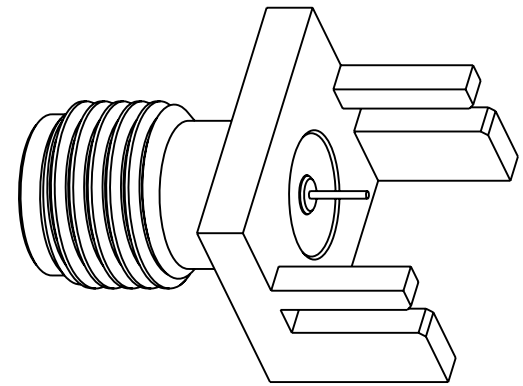


NOTES:

1. MATERIALS OF CONSTRUCTION:  
 BODY - BRASS, GOLD PLATING  
 CONTACT PIN - BERYLLIUM COPPER, GOLD PLATING  
 INSULATOR - PTFE, NATURAL
2. ELECTRICAL:  
 A. IMPEDANCE: 50 OHM  
 B. FREQUENCY RANGE: DC 0-18 GHZ  
 C. VSWR: 1.28, MAX.  
 D. DIELECTRIC WITHSTANDING VOLTAGE: 1000 VRMS, MIN.
3. MECHANICAL:  
 A. DURABILITY: 500 CYCLES MIN.  
 B. TEMPERATURE RANGE: -65° C TO +165° C

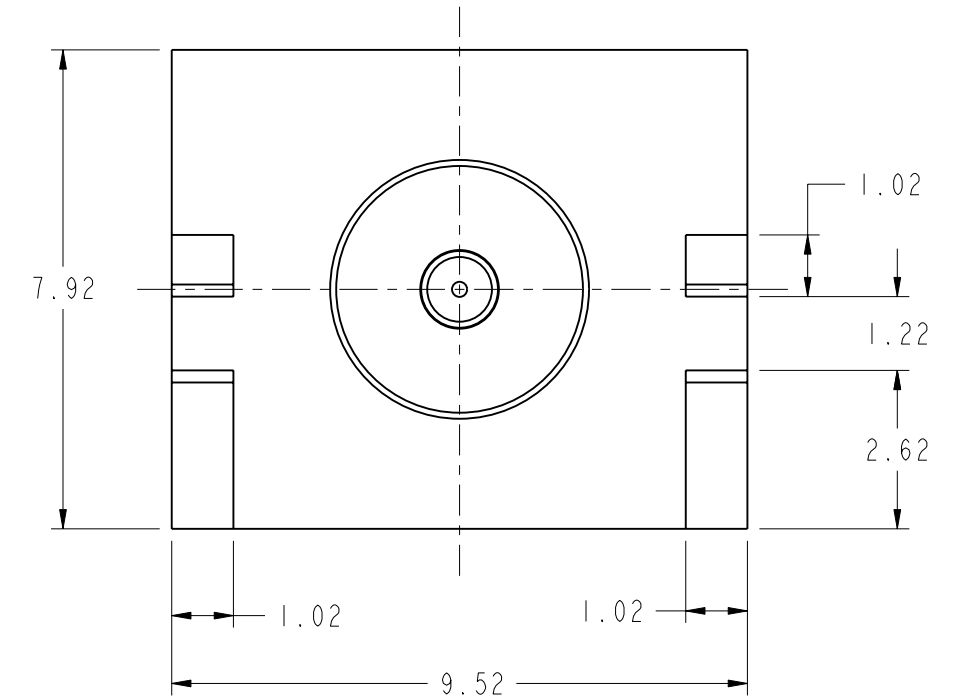
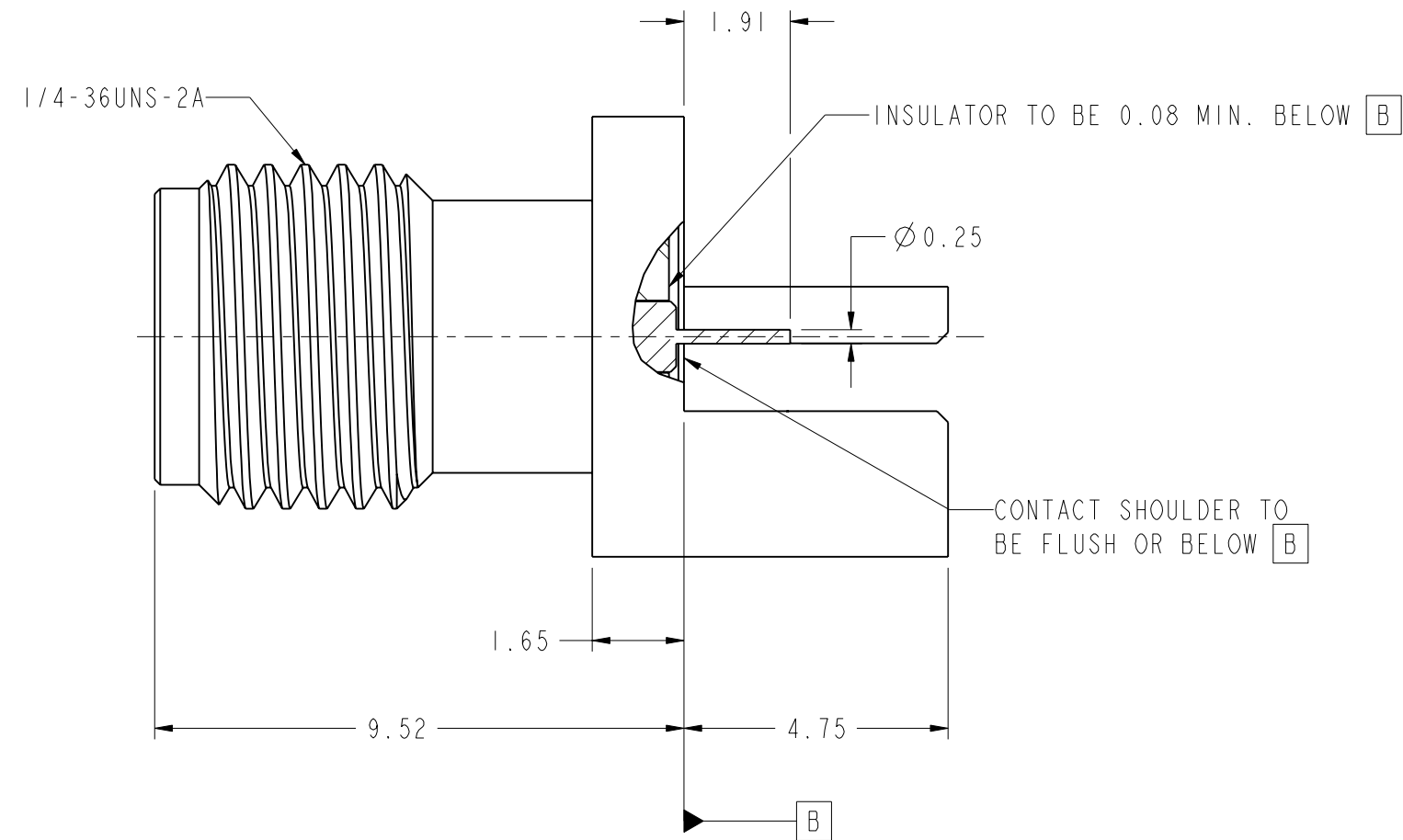
THIRD ANGLE PROJ.



SCALE 4.000

REVISIONS

| REV | DESCRIPTION                              | DATE      | ECO   | APPR |
|-----|--|-----------|-------|------|
| A   | RELEASE TO MFG.                          | 08-Sep-08 | 47202 | SHE  |
| B   | THE INSULATOR WAS CHANGED\RD-DM11041901M | 25-Apr-11 | 48605 | SH   |
| C   | BODY WAS CHANGED\RD-DM13040901S4         | 19-Apr-13 | 49520 | SL   |



**CUSTOMER OUTLINE DRAWING**

ALL OTHER SHEETS ARE FOR INTERNAL USE ONLY

UNLESS OTHERWISE SPECIFIED, DIMENSIONS ARE IN METRIC AND TOLERANCES ARE:  
 <0.5mm ±0.05mm    0.5 - 6mm ±0.1mm    6 - 30mm ±0.2mm    30 - 120mm ±0.3mm    ANGLES ±1°

NOTICE - These drawings, specifications, or other data (1) are, and remain the property of Amphenol corp. (2) must be returned upon request; and (3) are confidential and not to be disclosed to any person other than those to whom they are given by Amphenol Corp. the furnishing of these drawings, specifications, or other data by Amphenol Corp., or to any other person to anyone for any purpose is not to be regarded by implication or otherwise in any manner licensing, granting rights to permitting such holder or any other sperson to manufacture, use or sell any product, process or design, patented or otherwise, that may in any way be related to or disclosed by said drawings, specifications, or other data.

|                                    |  |
|------------------------------------|--|
| MATERIAL                           |  |
| REFERENCE AND CONFIGURATION LEVEL: |  |
| FINISH                             |  |

|                    |                                |
|--------------------|--------------------------------|
| DRAWN<br>S.LI      | DATE<br>19-Apr-13              |
| ENGINEER<br>C.WANG | DATE<br>08-Sep-08              |
| APPROVED<br>H.HE   | DATE<br>19-Apr-13              |
| CAD FILE           | I:\SMA\SMA6251A1-082-3GT50G-50 |

|                                      |              |
|--------------------------------------|--------------|
| TITLE<br>SMA END LAUNCH RECEPT. JACK |              |
| SCALE: 8.0:1.0                       | SHEET 2 OF 2 |
| DWG SIZE<br>B                        | REV<br>C     |

|  |                 |
|--|-----------------|
| Amphenol RF<br>Danbury CT USA, Tainan, Taiwan, Shenzhen, China<br>www.amphenolrf.com |                 |
| DRAWING NO. SMA6251A1-082-3GT50G-50  |                 |
| ITEM NO.   | 116251ADC02GA5F |
| PART NO.   | 901-10044-6RFX  |