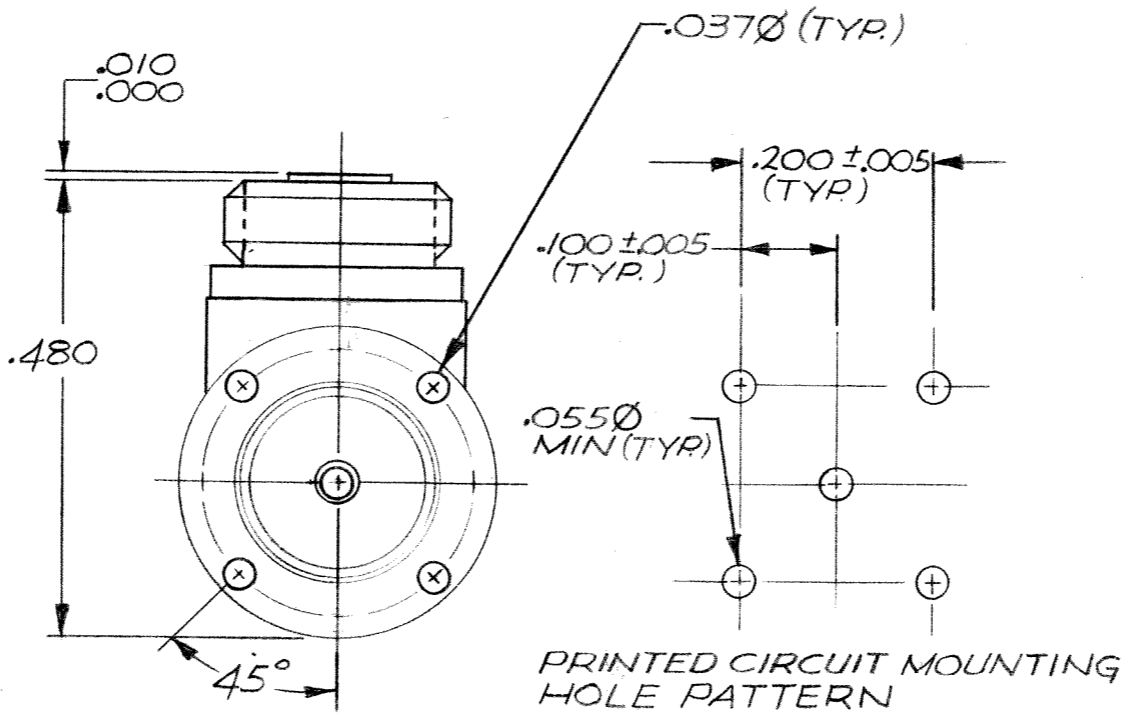
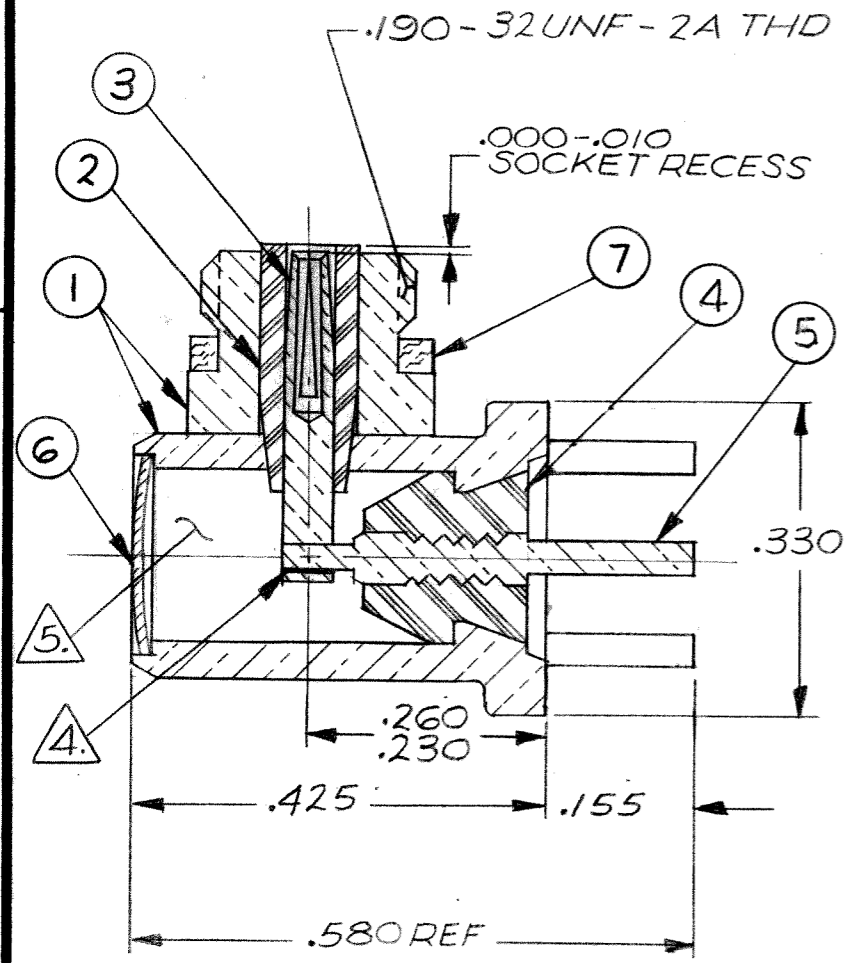


REVISIONS					
ZONE	LTR	ECN	DESCRIPTION	DATE	APPROVED
	L	23619	REVISED & REDRAWN	11-3-78	BAH
	M	36837	ITEM 7, WAS 003-0011-0001	3-11-77	BAH
	N	40141	UPDATE REV. LETTER.	4/19/80	BAH



Tyco Dwg 1467938  
Micro P/N 031-0061-0001

ITEM NO.	PART NUMBER	DESCRIPTION	MATERIAL & SPEC.
7	003-0268-0000	GASKET	SILICONE RUBBER, ZZ-R-765
6	003-0098-0001	SEAL DISC	BRASS PER QQ-B-613
5	003-0284-0002	CONTACT, PIN	BRASS PER QQ-B-626
4	003-0365-0001	INSULATOR	TEFLON PER L-P-403
3	003-0285-0002	CONTACT, SOCKET	BERYLLIUM COPPER, QQ-C-530
2	003-0345-0001	INSULATOR	TEFLON PER L-P-403
1	003-0425-0001	HOUSING SUBASSY	BRASS PER QQ-B-626

- NOTES: UNLESS OTHERWISE SPECIFIED
- THIS CONNECTOR MATES WITH ALL S-50 SCREW-ON-SERIES PLUGS AS LISTED IN MALCO CATALOG.
  - SILVER PLATE .0002 MIN. PER QQ-S-365, TYPE II, GRADE A.
  - GOLD PLATE PER MIL-G-45204, TYPE II, GRADE C, CLASS I.
  - PIN CONTACT SOLDERED TO SOCKET CONTACT USING 95 SN, 5 AG.
  - PRIOR TO CAPPING, CAVITY FILLED WITH EPOXY PER MEP 201-03.

PARTS LIST

UNLESS OTHERWISE SPECIFIED DIMENSIONS ARE IN INCHES TOLERANCES ARE: FRACTIONS DECIMALS ANGLES ± .XX ± ± 5° .XXX ± .010		CONTRACT NO.		<b>MALCO</b> A MICRODOT COMPANY, INC. 220 PASADENA AVE., SO. PASADENA, CALIF. 91030	RECEPTACLE, RIGHT ANGLE, PRINTED CIRCUIT 	PROD. CODE 931 CODE CDM
MATERIAL NOTED		APPROVALS	DATE			
FINISH NOTED		DRAWN <i>Arguing</i>	8-21-78			
NEXT ASSY		CHECKED <i>C.E.H.</i>	9-26-78			
USED ON		PR. ENG. <i>E.A.Y.</i>	11-2-78	DRAWING NO. 031-0061-0001		SIZE B
APPLICATION		DO NOT SCALE DRAWING		SCALE 5X		SHEET 1 OF 1