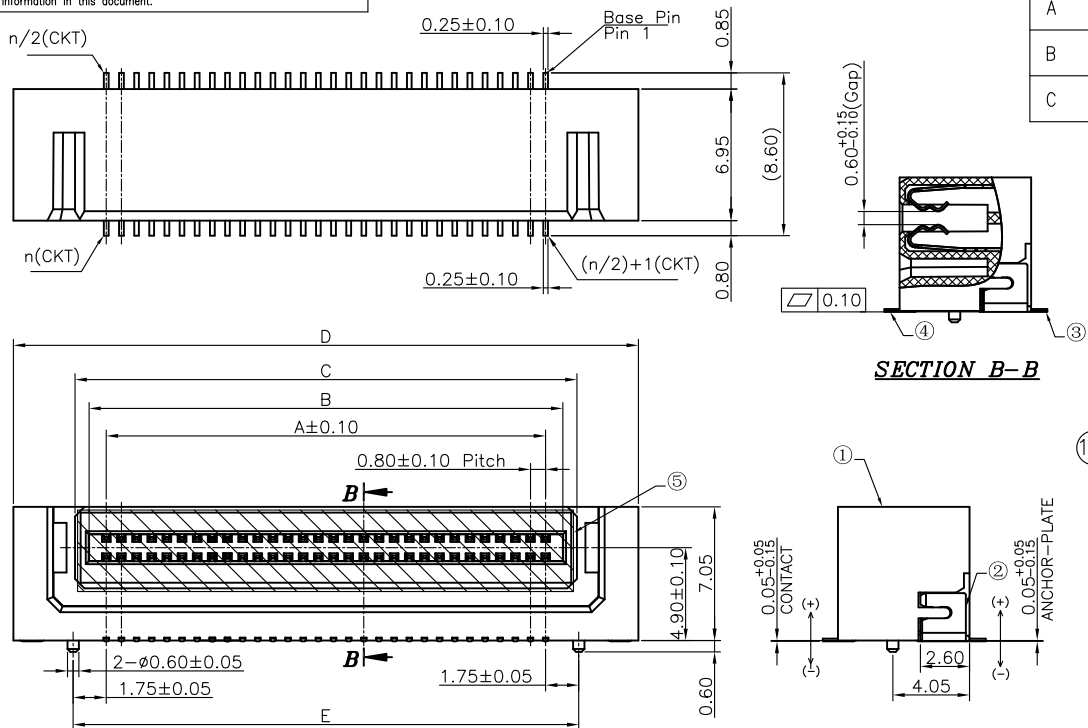


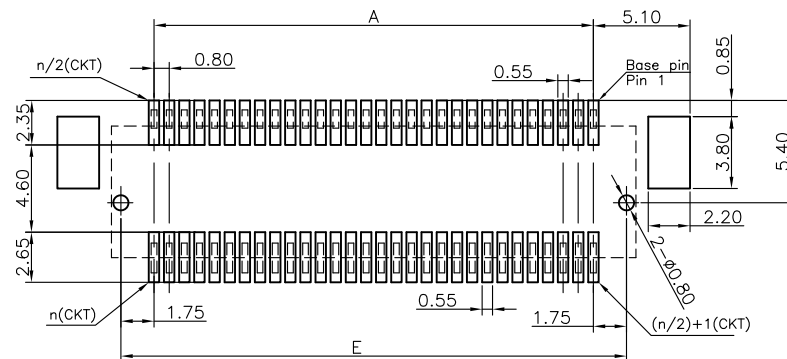
This document is the property of Amphenol Aorora Corporation and is delivered on the express condition that it is not to be disclosed, reproduced or used, in whole or in part, for manufacture or sale by anyone other than Amphenol Aorora Corporation without its prior consent, & that no right is granted to disclose or to use any information in this document.

REV.	ECR/ECN No.	DESCRIPTION	DRAWN/DATE	CHECKED/DATE	APPROVED/DATE
A	/	NEW RELEASE	May 2018-03-05	Rain 2018-03-05	Xiaohong.zhu 2018-03-05
B	/	Change it to Myra	May 2018-12-18	Rain 2018-12-18	Xiaohong.zhu 2018-12-18
C	/	Update the drawing frame	May 2019-05-13	Rain 2019-05-13	hongkui.liu 2019-05-13

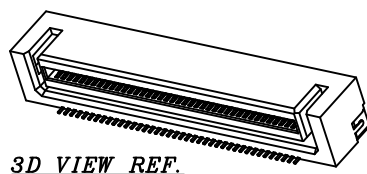


NO.	COMPONENTS	MATERIALS	SPECIFICATION:FINISH/COLOR	QTY.
1	HOUSING	GLASS FILLED LCP, UL94V-0	BLACK	1
2	ANCHOR-PLATE	BRASS, T=0.30±0.01mm	ALL OVER 80u" MIN. MATTE TIN UNDERPLATING:40u" NICKEL MIN.	2
3	LONG CONTACT	PHOSPHOR BRONZE, T=0.15±0.01mm	CONTACT AREA 2u" MIN. GOLD, PLATED UNDERPLATING:GOLD FLASH AND FOOT UNDERPLATING:40u" NICKEL MIN.	N
4	SHORT CONTACT	PHOSPHOR BRONZE, T=0.15±0.01mm	CONTACT AREA 2u" MIN. GOLD, PLATED UNDERPLATING:GOLD FLASH AND FOOT UNDERPLATING:40u" NICKEL MIN.	N
5	MYLAR	T=0.10mm THERMOSTABLE	YELLOW	1

1B

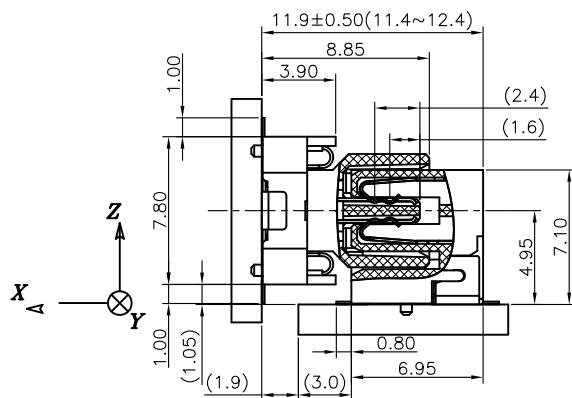


RECOMMENDED PCB SIZE
GENERAL TOLERANCE:±0.05(MOUNTING SIDE)



DIMENSION LIST:

NO. OF POS.	A	B	C	D	E	F	G
30	11.20	13.02	14.50	21.00	14.70	9.00	24.00
40	15.20	17.02	18.50	25.00	18.70	13.00	28.00
50	19.20	21.02	22.50	29.00	22.70	17.00	32.00
60	23.20	25.02	26.50	33.00	26.70	21.00	36.00
70	27.20	29.02	30.50	37.00	30.70	25.00	40.00
80	31.20	33.02	34.50	41.00	34.70	29.00	44.00
90	35.20	37.02	38.50	45.00	38.70	33.00	48.00
100	39.20	41.02	42.50	49.00	42.70	37.00	52.00
110	43.20	45.02	46.50	53.00	46.70	41.00	56.00
120	47.20	49.02	50.50	57.00	50.70	45.00	60.00



FLOATING RANGE TOWARD
X DIRECTION:±0.50
Y DIRECTION:±0.50
Z DIRECTION:±0.50
ASSEMBLY DRAWING

UNLESS OTHERWISE SPECIFIED TOLERANCES		ANGLE OF PROJECTION		Amphenol AORORA	
X.	±0.50	X. °	± 1'	Amphenol Aorora Technology (Huizhou) Co.,Ltd	
X.X	±0.30	X.X °	± 0.5'	TITLE:	
X.XX	±0.20	X.XX °	± 0.5'	0.8mm Pitch Floating board to board Socket connector series	
X.XXX	±0.10	X.XXX °	± 1'	DRAWN DATE May 2018-04-24	
LINEAR DIMS	ANGLES DIMS	DOC TYPE Customer Drw		DESIGN DATE May 2018-12-18	
P/N: B407-1B7L1-112**-E100		APPROVED DATE Hongkui.liu 2019-03-13		SIZE DWG NO.	REV. B
MATERIAL SEE NOTES		FINISHED SEE NOTES		A4	A-S0446
SCALE 1:1		UNIT : mm		SHEET 1 OF 1	