

MATERIAL NUMBER

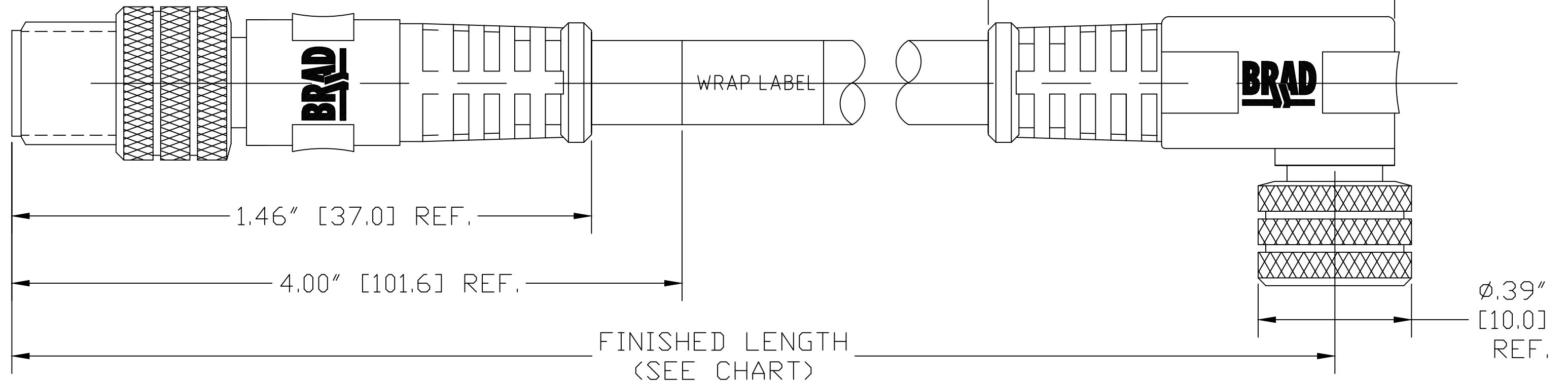
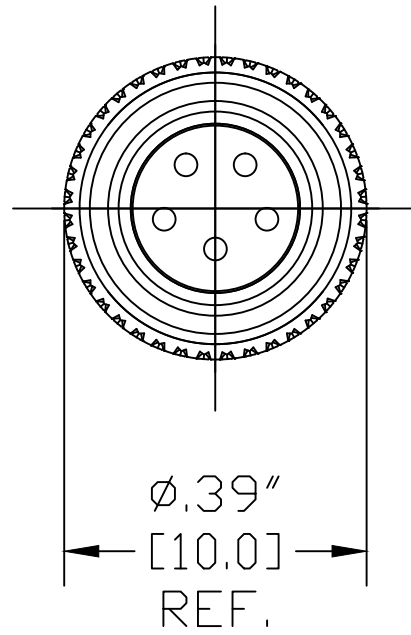
OLD PART NUMBER

FINISHED LENGTH

130030-0088

445031D12M010

3.28' +2.19" -0 [1.0M +55.6mm -0]



445031D12M010

Wire type
26 AWG
Gray PVC

cable length
M020----2 Meter
M100----10 Meter

MALE INSERT FRONT VIEW

1-DRAIN
2-RED
3-WHITE
4-BLACK
5-BLUE

CONTACT:	GOLD/NICKEL OVER COPPER ALLOY
INSERT:	PUR, BLACK
COUPLING NUT:	BRASS, NICKEL PLATED
MOLDED BODY:	RITFLEX, GRAY
VOLTAGE RATING:	60 VAC/ 75 VDC
AMPERAGE RATING:	1.68 AMPS
PROTECTION:	IP67
OPERATING TEMPERATURE:	-20°C TO 80°C

FEMALE INSERT FRONT VIEW

1-DRAIN
2-RED
3-WHITE
4-BLACK
5-BLUE

1	DRAIN	1
2	RED	2
3	WHITE	3
4	BLACK	4
5	BLUE	5

WIRING DIAGRAM

INITIAL RELEASE EC NO: IFCG2013-1910 DRWN: EBRACKEN 2013/06/24 CH'KD: RSTONE APPR: BWOODMAN2013/08/14	QUALITY SYMBOL ▽=0 ▽=0	GENERAL TOLERANCES (UNLESS SPECIFIED) mm INCH 4 PLACES ±--- ±--- 3 PLACES ±--- ±.005 2 PLACES ±0.13 ±.010 1 PLACE ±0.25 ±.020 ANGULAR ±.5°	DIMENSION STYLE IN/MM DRAWN BY DATE EBRACKEN 2013/06/18 CHECKED BY DATE RSTONE APPROVED BY DATE BWOODMAN 2013/08/14	SCALE --- DESIGN UNITS INCH THIRD ANGLE PROJECTION	TITLE NANO-CHANGE ASSEMBLY 5 POLE M/MFE ST/90 #26 DROP CABLE 4-TPR MOLEX INCORPORATED	SHEET NO. 1 OF 1
	DRAFT WHERE APPLICABLE MUST REMAIN WITHIN DIMENSIONS		MATERIAL NO. SEE CHART	DOCUMENT NO. SD-130030-003	THIS DRAWING CONTAINS INFORMATION THAT IS PROPRIETARY TO MOLEX INCORPORATED AND SHOULD NOT BE USED WITHOUT WRITTEN PERMISSION	
	SIZE C					