

## Housing - HC-B 6-TFL-H-O1PG29G - 1460023

Please be informed that the data shown in this PDF Document is generated from our Online Catalog. Please find the complete data in the user's documentation. Our General Terms of Use for Downloads are valid (<http://download.phoenixcontact.com>)

HEAVYCON B6 sleeve housing, for single locking latch, height: 72 mm, with 1 x Pg29 gland, straight cable outlet



### Key commercial data

Packing unit	1 1
Custom tariff number	85389099
Country of origin	Germany

### Technical data

#### Dimensions

Height	72 mm
Width	43 mm
Length	60 mm

#### Ambient conditions

Schutzart Gehäuse (IP)	IP65
Ambient temperature (operation)	-40 °C ... 125 °C

#### General

Note	For contact inserts HC-B6, BB10, DD24, M
Design	B6
Housing type	Sleeve housings
Locking type	for single locking latch
No. of cable exits	1
Cable exit	Straight
Screw connection	None
Type of the screw connection	1x Pg29
Housing material	Aluminum die-cast

## Housing - HC-B 6-TFL-H-O1PG29G - 1460023

### Technical data

#### General

Housing surface material	Powder-coated, gray
--------------------------	---------------------

### Classifications

#### eCl@ss

eCl@ss 4.0	27140816
eCl@ss 4.1	27140816
eCl@ss 5.0	27143424
eCl@ss 5.1	27143424
eCl@ss 6.0	27143424
eCl@ss 7.0	27440209
eCl@ss 8.0	27440209

#### ETIM

ETIM 3.0	EC000437
ETIM 4.0	EC000437
ETIM 5.0	EC000437

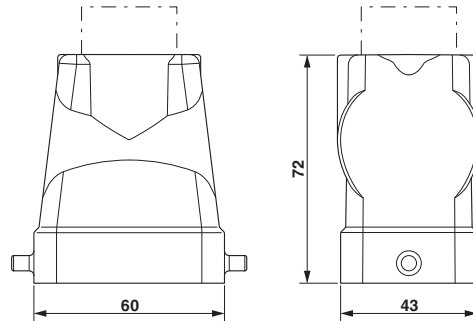
#### UNSPSC

UNSPSC 6.01	31261502
UNSPSC 7.0901	31261502
UNSPSC 11	31261502
UNSPSC 12.01	31261502
UNSPSC 13.2	31261502

### Drawings

## Housing - HC-B 6-TFL-H-O1PG29G - 1460023

Dimensioned drawing



Dimensional drawing