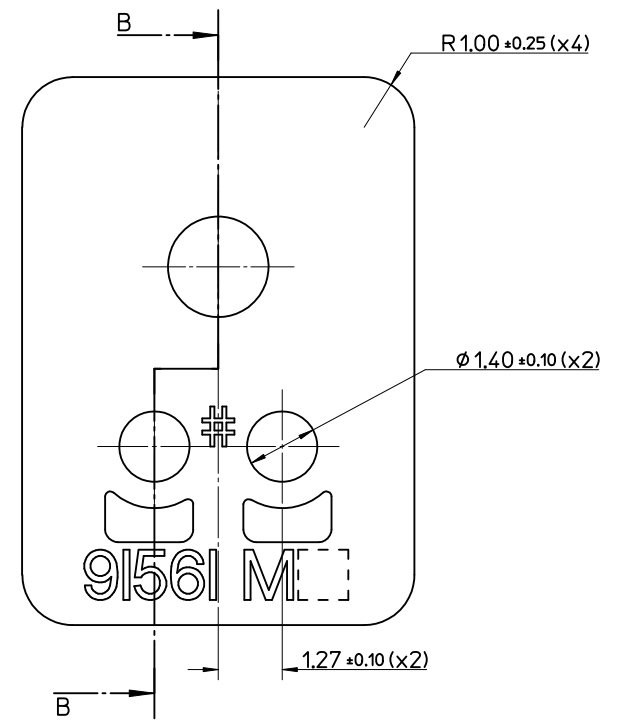
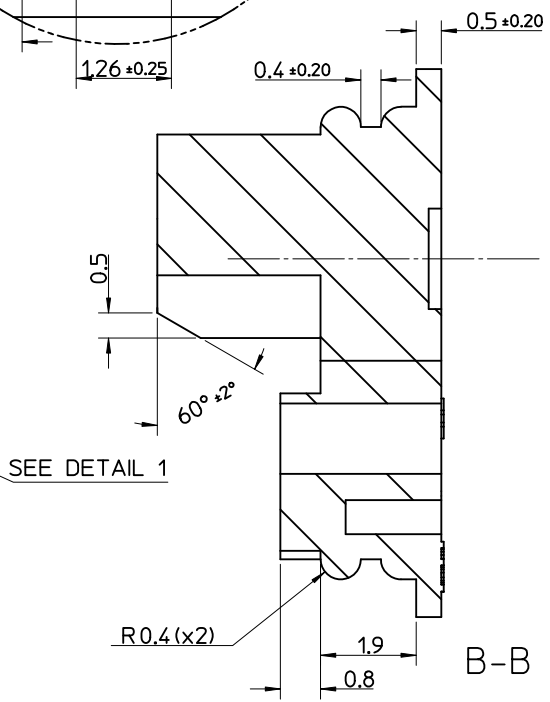
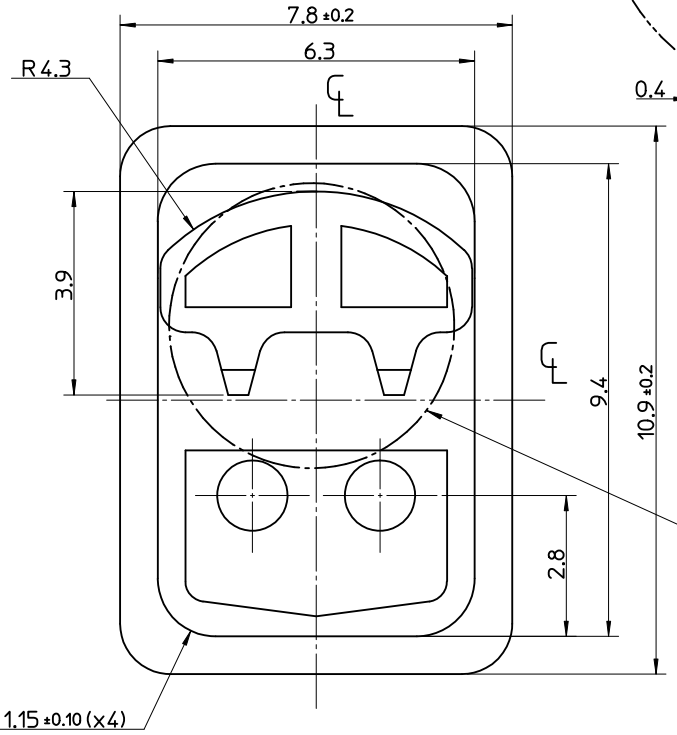
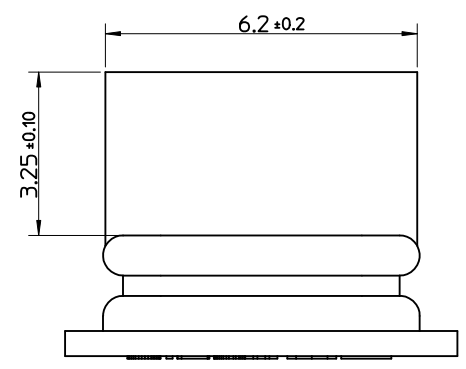
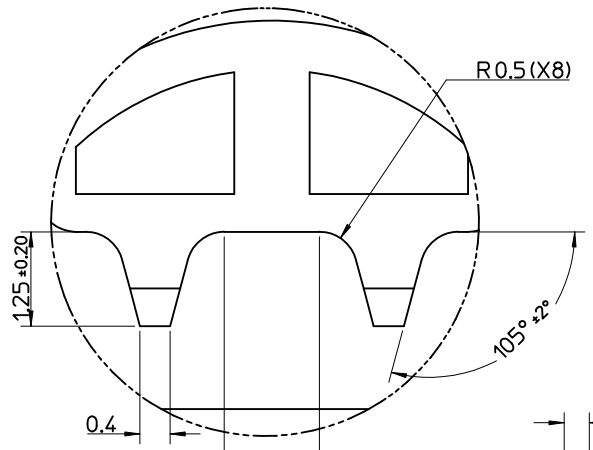


10 9 8 7 6 5 4 3 2 1



SCALE 1:1

DETAIL 1  
SCALE: 15:1



- NOTES:
1. MATERIAL: TPE 80A SHORE HARDNESS. COLOUR: BLACK.
  2. FINISH: N/A.
  3. FOR PRODUCT SPECIFICATION SEE PS-91560-003
  4. PACKAGING: SEE PACKAGING SPECIFICATION PK-91561-003
  5. THIS PART CONFORMS TO CLASS B REQUIREMENTS OF COSMETIC SPECIFICATION PS-45499-002.

REVISED NOTES	EC NO: UCP2010-1407	DRWN:MKIPPER 2009/12/14	CHKD:JBELL 2009/12/16	APPR:FSMITH 2009/12/17	
	DESCRIPTION				
	REV	DESCRIPTION			
	D1				

QUALITY SYMBOLS	▲ - 0
	▽ - 0
GENERAL TOLERANCES (UNLESS SPECIFIED)	
	mm
	INCH
4 PLACES	± ---
3 PLACES	± ---
2 PLACES	± 0.05
1 PLACE	± 0.1
ANGULAR ± 2 °	
DRAFT WHERE APPLICABLE	
MUST REMAIN WITHIN DIMENSIONS	

SCALE	10:1
DESIGN UNITS	METRIC
DIMENSION STYLE	
MM ONLY	
DRAWN BY	DATE
LKIERNAN	13/07/01
CHECKED BY	DATE
BMAGUIRE	3/10/01
APPROVED BY	DATE
MWILHITE	3/10/01

THIRD ANGLE PROJECTION	REVISE ON CAD ONLY
TITLE	
2.54MM KK CRP SEAL	
MOLEX INCORPORATED	
MATERIAL NO.	DOCUMENT NO.
91561-0001	SD-91561-001
SHEET NO.	1 OF 1
THIS DRAWING CONTAINS INFORMATION THAT IS PROPRIETARY TO MOLEX INCORPORATED AND SHOULD NOT BE USED WITHOUT WRITTEN PERMISSION	

9 8 7 6 5 4 3 2 1