

THIS DRAWING IS UNPUBLISHED.

RELEASED FOR PUBLICATION

ALL RIGHTS RESERVED.

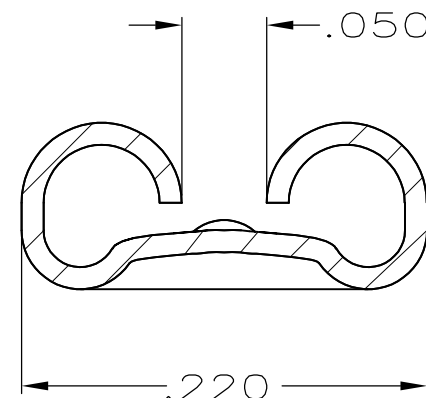
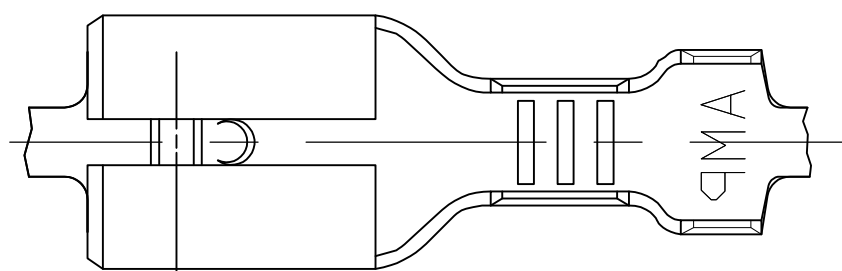
© COPYRIGHT - By -

LOC AF DIST 50

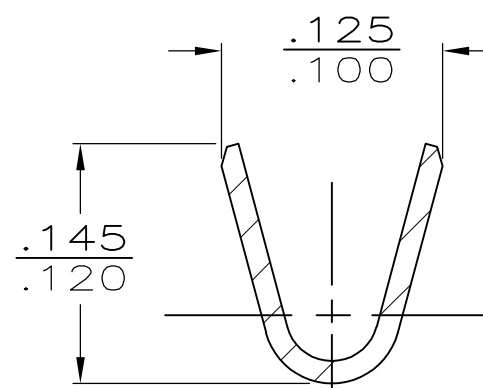
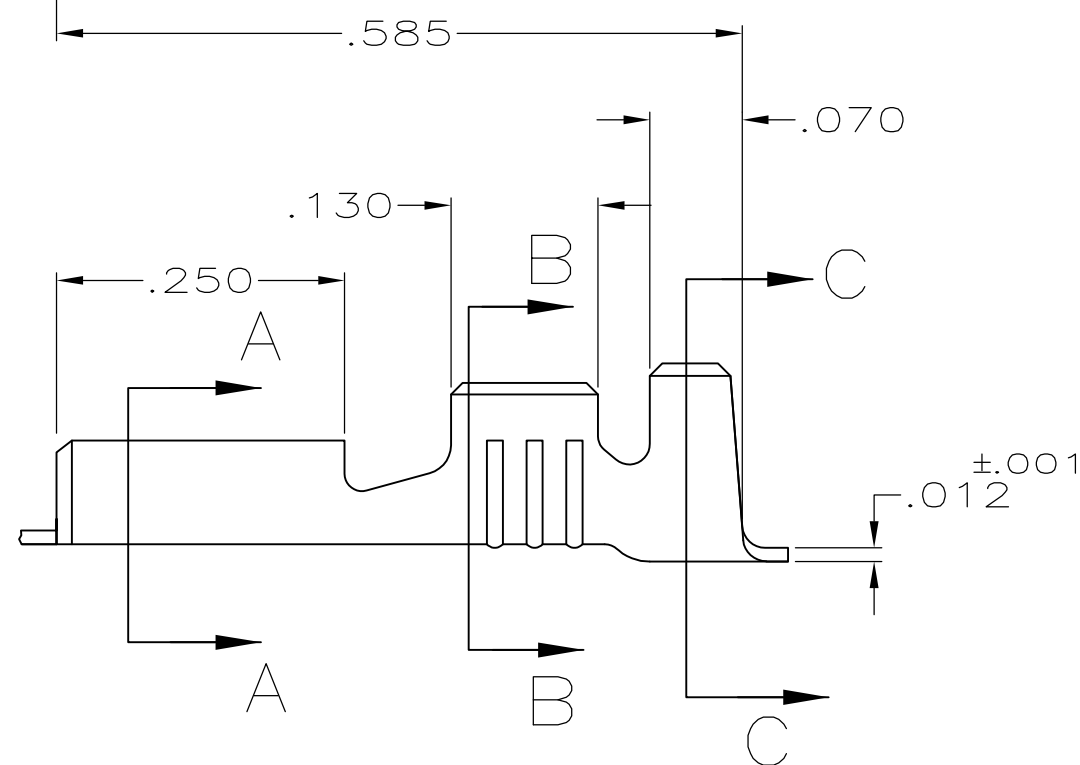
REVISIONS

P	LTR	DESCRIPTION	DATE	DWN	APVD
	U2	REV PER ECO 13-010686	27JUN13	JR	PD

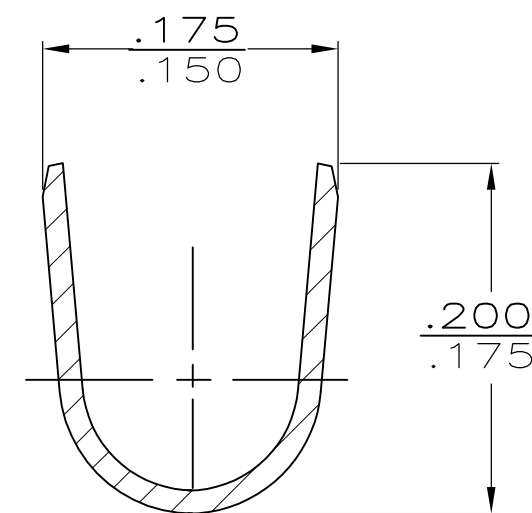
- 1 CONTINUOUS STRIP ON REELS
- 2 MATING TAB THK IS $.020 \pm .001$
- 3 WIRE SIZE IS #20-#16 AWG
- 4 INSULATION RANGE IS $.090-.130$ DIA



SECTION A-A
SCALE 8:1



SECTION B-B
SCALE 8:1



SECTION C-C
SCALE 8:1

OBSOLETE	TIN	#4H PH BRZ	42617-4
OBSOLETE	-		42617-3
	TIN	BRASS	42617-2
	-		42617-1
FINISH	MATERIAL	PART NO.	

THIS DRAWING IS A CONTROLLED DOCUMENT.		DWN	JR RUTH	10/27/89	TE Connectivity RECEPTACLE, FASTON, .187 SERIES												
DIMENSIONS: INCHES		CHK	MS FEHER	10/27/89				NAME									
		APVD	C MEYERS	10/27/89				PRODUCT SPEC									
TOLERANCES UNLESS OTHERWISE SPECIFIED:		APPLICATION SPEC						RESTRICTED TO									
MATERIAL SEE TABLE		FINISH SEE TABLE		WEIGHT	-	SIZE	A3	CAGE CODE	00779	DRAWING NO	C-42617	SCALE	6:1	SHEET	1 OF 1	REV	U2
CUSTOMER DRAWING												SCALE 6:1		SHEET 1 OF 1		REV U2	