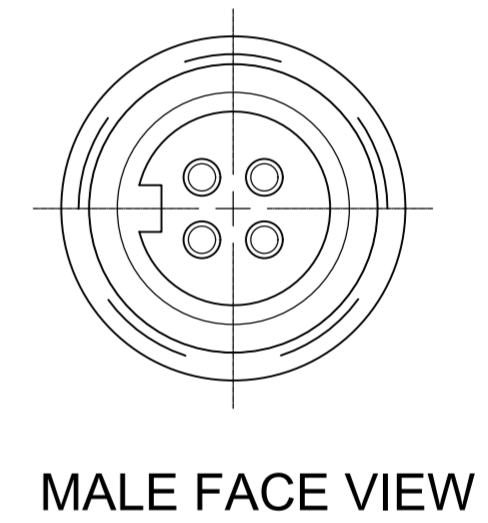
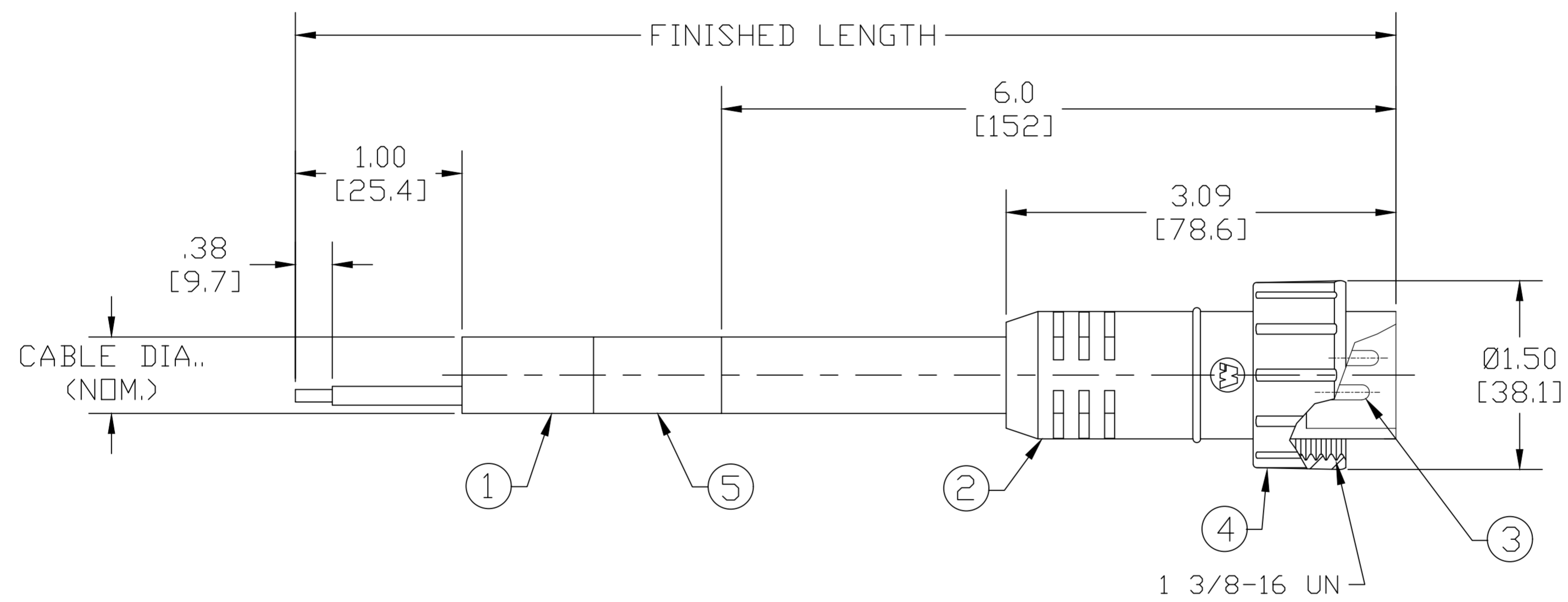


MATERIAL NO.	ENGINEERING NO.	POLES	FINISHED LENGTH	CABLE DIA.,
1300000022	32026	2	3.0 FT. [0.9M]	.60
1300000023	32027		6.0 FT. [1.8M]	
1300000133	602002C06F150		15.0 FT. [4.6M]	
1300000047	32353	3	3.0 FT. [0.9M]	.62
1300000049	32354		6.0 FT. [1.8M]	
1300000173	603002C06F120		12.0 FT. [3.7M]	
1300000077	32650	4	3.0 FT. [0.9M]	.68
1300000084	32676		6.0 FT. [1.8M]	
1300000301	603002C06M400		131.2 FT. [40.0M]	

FACE VIEW-MALE INSERT		
1 BLACK 2 WHITE	1 BLACK 2 WHITE 3 GREEN	1 BLACK 2 GREEN 3 RED 4 WHITE



- NOTES:**
- MATERIAL: AS NOTED
 - FINISH: AS NOTED
 - ELECTRICAL:
VOLTAGE: 600V AC/DC
CURRENT: 2 & 3P: 25A
4P: 20A
 - TEMP RATING: -20°C TO +105°C
 - PROTECTION: IP67 (WHEN MATED)
 - COUPLING THREAD: AS NOTED
 - UL CERTIFIED FILE: E46237
CSA CERTIFIED FILE: LR6837
 - ALL DIMS ARE FOR REFERENCE UNLESS TOLERANCED OR NOTED OTHERWISE

PART NUMBER LEGEND

602002C06F150

POLES 2-4

FINISHED LENGTH:
F010= 1 FOOT
F100= 10 FEET
M005= 0.5 METER
M010= 1 METER
M100= 10 METER

CABLE LENGTH TOLERANCES

>.3M [1FT]:	+19mm-0 [+ .75in-0]
.3 - .9M [1 - 3FT]:	+44.5mm-0 [+1.75in-0]
.9 - 1.8M [3 - 6FT]:	+55.6mm-0 [+2.19in-0]
1.8 - 3.7M [6 - 12FT]:	+88.9mm-0 [+3.50in-0]
3.7 - 7.3M [12 - 24FT]:	+165.1mm-0 [+6.50in-0]
7.3-14.6M [24 - 48FT]:	+317.5mm-0 [+12.50in-0]
14.6 - 30.5M [48-100FT]:	+622.3mm-0 [+24.50in-0]
OVER 30M [100FT]	+2% OF FINISHED LENGTH

ITEM	COMPONENT	MATERIAL	FINISH
5	WRAP LABEL	VINYL	BLACK/YELLOW
4	COUPLING NUT	THERMOPLASTIC	BLACK
3	CONTACT PIN	COPPER ALLOY	UN-PLATED
2	OVERMOLD	RUBBER	YELLOW
1	CABLE-12 AWG SOOW	CPE JACKET	YELLOW

THIS DRAWING CONTAINS INFORMATION THAT IS PROPRIETARY TO MOLEX ELECTRONIC TECHNOLOGIES, LLC AND SHOULD NOT BE USED WITHOUT WRITTEN PERMISSION									
SYMBOLS		DIMENSION UNITS		SCALE		CURRENT REV DESC: RELEASED			
= 0		INCH/MM		1:1		EC NO: 625795			
= 0		GENERAL TOLERANCES (UNLESS SPECIFIED)				DRWN: RSTONE 2019/09/30			
= 0		mm		INCH		CHK'D: MZIELINSKI 2019/10/16			
= 0		4 PLACES ±----		±----		APPR: BWOODMAN 2019/10/25			
= 0		3 PLACES ±----		±----		INITIAL REVISION:			
= 0		2 PLACES ±----		±----		DRWN: RSTONE 2019/09/30			
= 0		1 PLACE ±----		±----		APPR: BWOODMAN 2019/10/25			
= 0		0 PLACES ±----		±----		DRAFT WHERE APPLICABLE MUST REMAIN WITHIN DIMENSIONS			
= 0		ANGULAR TOL ± ---- °				THIRD ANGLE PROJECTION		DRAWING	
= 0						C-SIZE		SERIES	
= 0						130000		MATERIAL NUMBER	
						SEE MAT. NO CHART		CUSTOMER	
						PSD 000		SHEET NUMBER	
						1 OF 1			