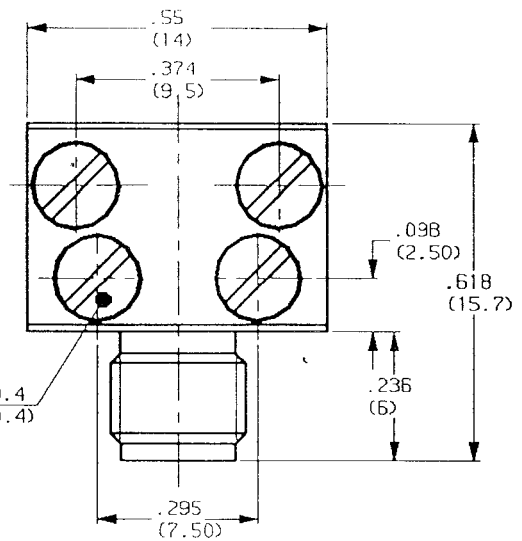
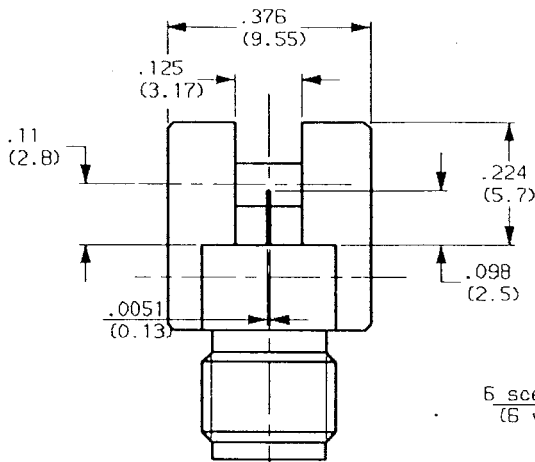


FLANGE RECEPTACLE FOR MIC

SERIES:

SMA


 6 screws M2x0.4
 (6 vis M2x0.4)

weight 0.525 oz (15 g)

CHARACTERISTICS

NOMINAL IMPEDANCE	50	Ω
FREQUENCY RANGE	0 a 18	GHz
TEMPERATURE RATING	-65/+105	°C
VSWR	1,05 + 0,005 F (GHz) Max	
RF INSERTION LOSS	.03 √F (GHz)	dB Max
VOLTAGE RATING	600	Vrms
DIELECTRIC WITHSTANDING VOLTAGE	1000	Vrms
INSULATION RESISTANCE	5000	MΩ
HERMETIC SEAL	NA	cc/s cm ³ /s
LEAKAGE (pressurized only)	-	psi kg/cm ²

STANDARDISATION

CABLE RETENTION

 NA Lb Min
 N Min

CENTER CONTACT RETENTION

 Axial force - mating end 6.075 Lb Min
 27 N Min

 Axial force - opposite end 6.075 Lb Min
 27 N Min

 Torque (Min) 4.004 Inch. oz
 2.8 cm. N

RECOMMENDED TORQUES

Mating	NA	inch. Lb cm. N
Panel nut	NA	inch. Lb cm. N
Clamp nut	NA	inch. Lb cm. N

CONSTRUCTION

CONNECTOR PARTS	MATERIALS	FINISH
BODY	Beryllium copper	Gold over nickel
OUTER CONTACT	-	-
CENTER CONTACT	Beryllium copper	Gold over nickel
INSULATORS	PTFE	-
MOUNTING PLATE	Brass	Nickel
Screw	Stainless steel or Arcap	-
-	-	-
-	-	-
-	-	-

ISSUE	REVISION No	DESCRIPTION	BY	DATE
.
.
.	.	Rajoute cotes 7.5 et 2.5	HEYNIER	19-07-90

Initiated on 08-FEB-90

The information given here is subject to change without notice. Design changes may be in order to improve the product.



Superseded on