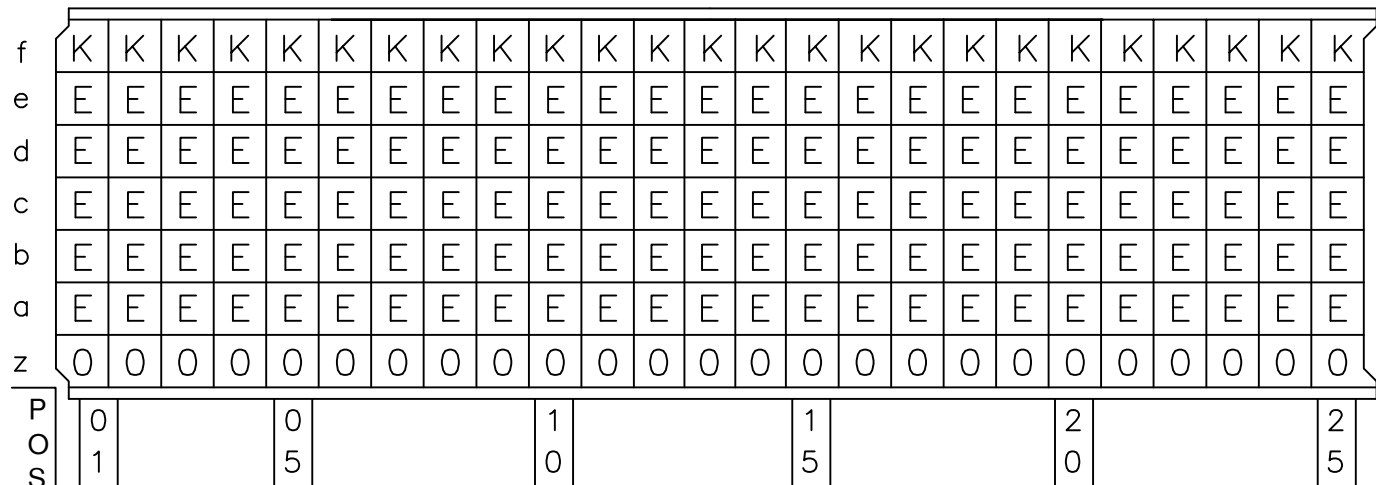
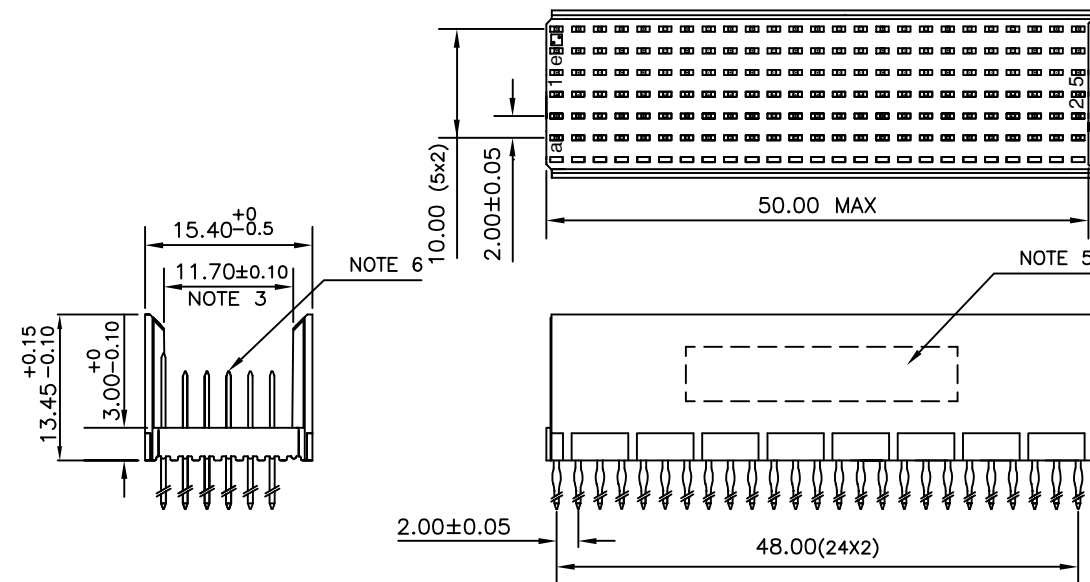


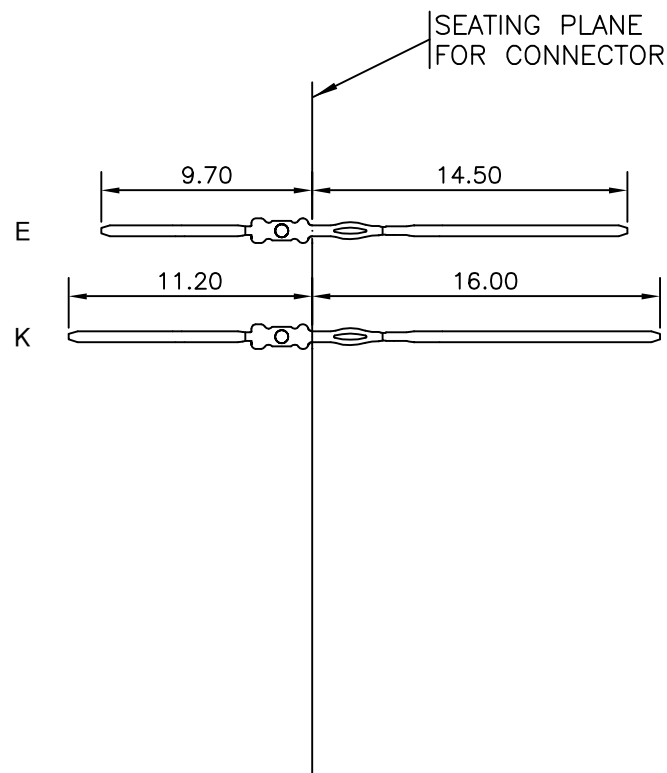
LOADING PATTERN MATING SIDE



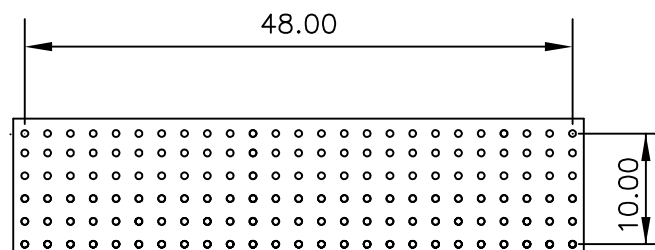
LOADED CONNECTOR ASSEMBLY (FOR EXAMPLE)



CONTACT OVERVIEW



LAY-OUT P.C.B.-HOLE



LEAD FREE INDICATOR : LF = LEAD FREE (DIGIT 15 & 16)

HM2PN2PMA1U5

PLATING CODE (DIGIT 13 AND 14) (REF DRW NO. BS,C , 201844 , 003)

NOTES

- 1. THIS PRODUCT IS CSA APPROVED.
- 2. THIS PRODUCT IS UL RECOGNIZED.
- 3. MEASURED AT THE BOTTOM.
- 4. MATERIAL CONTACT: PHOSPHORBRONZE  
HOUSING: CREAM WHITE GLASS FILLED POLYESTER UL-94V0
- 5. CONNECTOR PRINTED WITH P/N AND DATE CODE.
- 6. FOR ACTUAL CONTACT LOADINGS, SEE LOADING PATTERN MATING SIDE.
- 7. SHAPE OF CONNECTOR HOUSING CAN ALTER DEPENDING ON PRODUCTION LOCATION
- 8. THIS PRODUCT (LF) MEETS EUROPEAN UNION DIRECTIVES AND OTHER COUNTRY REGULATIONS AS DESCRIBED IN GS-22-008
- 9. FOR RECOMMENDED PTH DIMENSIONS REFER DRAWING : BS, A , 201572 , 001

PART NO. HM2PN2PMA1U5----

mat'l. code SEE NOTE 4				surface ISO 1302	tolerance ISO 406 ISO 1101	projection	product family MLLIPACS			
ltr A 105-0139 MINI 2005/08/10 B 106-0099 MINI 2006/07/07				tolerances unless otherwise specified		MM	title MPACS 5+2R STR HDR PF CONN TYPE B (WIDTH = 15.4 MAX)			
				angles 0°±1°	linear .0±0.2 .00±0.1		scale -			
				dr	MINI K VANDANATH	2005/03/08	dwg no		sheet 1 of 1	size 5
				enr	BIJU K PAUL	2005/03/08	FCI		BS, C ,203028,226 A3	
				chr	BIJU K PAUL	2006/07/07				
				appd	BIJU K PAUL	2006/07/07				
sheet index	revision sheet	B	1							