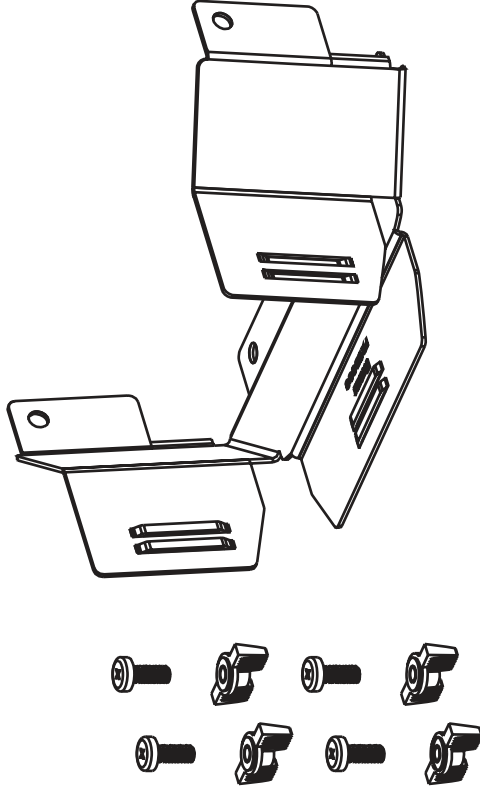
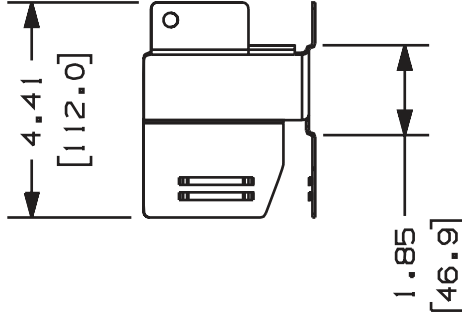
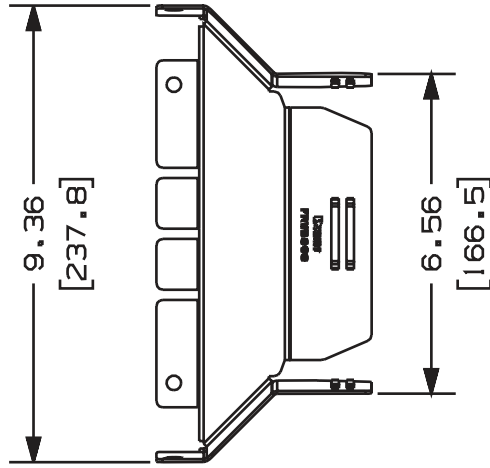


THIS COPY IS PROVIDED ON A RESTRICTED BASIS AND IS NOT TO BE USED IN ANY WAY DETRIMENTAL TO THE INTERESTS OF PANDUIT CORP.



ENG. REF.: D38240BE-DC_FRWBS68_00A.prt

CAD FILENAME/LAYERS

38240-04.pdf

PANDUIT

PANDUIT CORP TINLEY PARK, ILLINOIS
 FIBERRUNNER™ 6x4 WARREN & BROWN
 LIGHTPATH 8x4 ADAPTER (FRWBS68)
 CUSTOMER DRAWING

UNLESS OTHERWISE SPECIFIED:
 DIMENSIONAL TOLERANCES ARE:
 (.XX) ± .031(.8)
 (.XXX) ± .005
 ANGLES ±

UNLESS OTHERWISE SPECIFIED,
 ALL DIMENSIONS ARE GIVEN IN
 INCHES, THIRD ANGLE PROJECTION.

DRAWN BY: MSO

DATE: 1-2-02

CHK'D

MATERIAL

SCALE: NONE

RELEASED TO PRODUCTION 38240-04

STEEL

DRAWING NO.

38240-04

DWG

SIZE

REV DATE BY CHK DESCRIPTION

ECN R CUST SUP GMBH

R 1-2-02 MSO