

MATERIALS AND FINISHES

BODY: BERYLLIUM COPPER
 OPTION 1:
 PLATED GOLD (1μ-in MIN)
 OVER NICKEL PHOSPHOR (80μ-in MIN)
 OVER COPPER (20μ-in MIN)
 OPTION 2:
 PLATED TRI-M (80μ-in MIN)

CONTACT: BERYLLIUM COPPER
 PLATED GOLD (8μ-in MIN)
 OVER NICKEL PHOSPHOR (80μ-in MIN)
 OVER COPPER (20μ-in MIN)

INSULATOR: PTFE

ELECTRICAL CHARACTERISTICS:

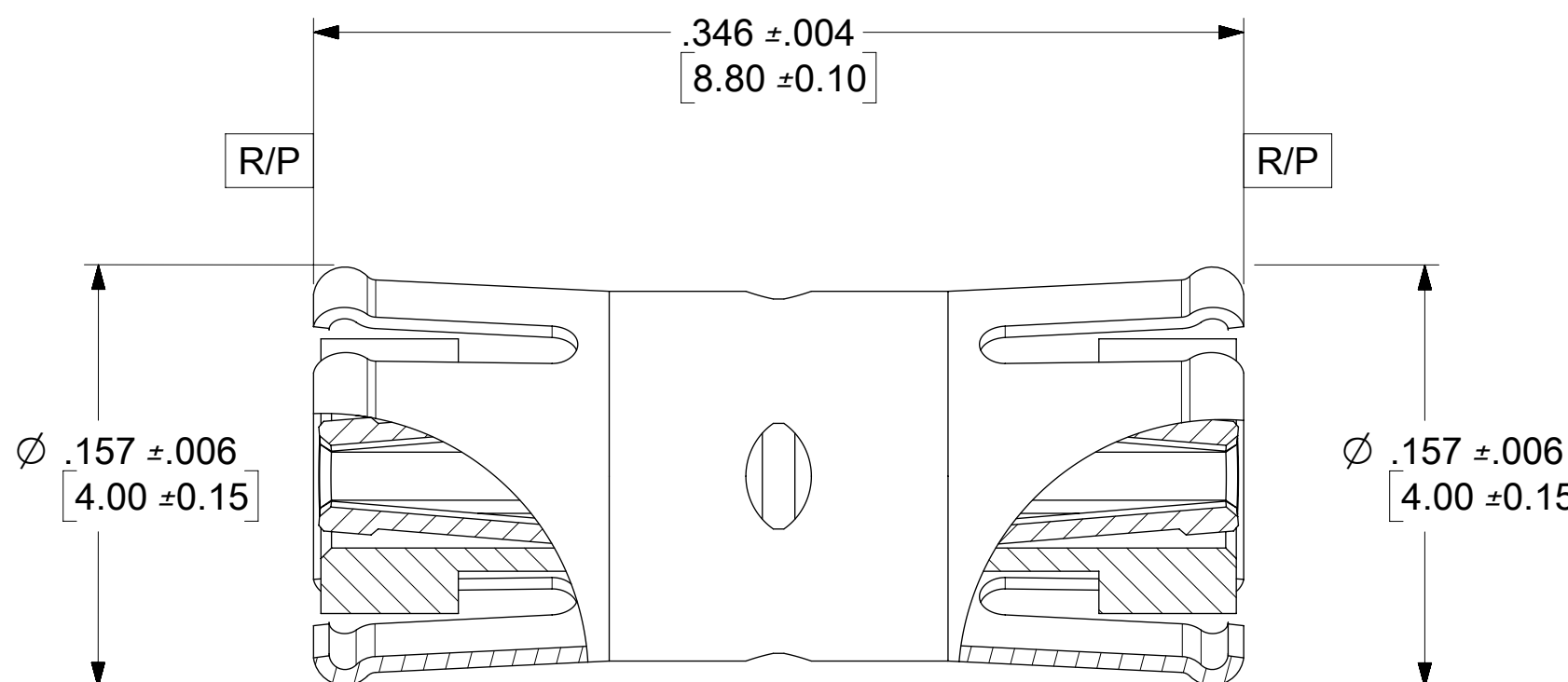
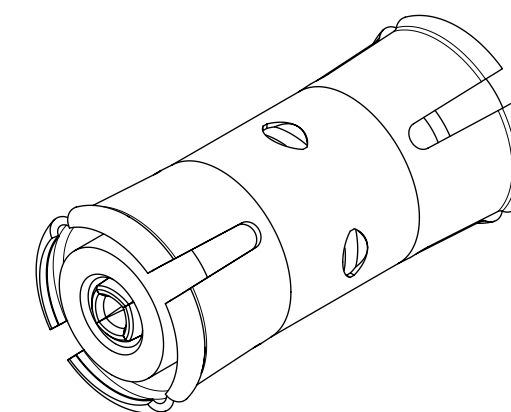
NOMINAL IMPEDANCE: 50Ω
 FREQUENCY RANGE: DC-10 GHz
 VSWR (MAX) / RETURN LOSS (MAX)

DC - 2 GHz	2 - 4 GHz	4 - 6 GHz
1.07 / -30 dB	1.12 / -27 dB	1.14 / -24 dB
FOR INDIVIDUAL CONNECTOR		

INSERTION LOSS: 0.05√F (GHz) dB MAX
 COAXIAL TRANSMISSION LINE ONLY
 VOLTAGE RATING: 330 Vrms AT SEAL LEVEL
 DIELECTRIC WITHSTANDING VOLTAGE: 1000 Vrms
 INSULATION RESISTANCE: 5000 MΩ

OTHERS:

POWER HANDLING
 300 W MIN @ 2.7 GHz AT 25°C
 200 W MIN @ 2.7 GHz AT 85°C
 RADIAL WORKING RANGE: 3°
 AXIAL WORKING RANGE: 2.0mm OR 2.4mm
 (SHOULD BE WITH SPECIAL RECEPTACLE FOR
 AXIAL MISALIGNMENT ±1.2mm)



73420-6171	OPTION 2	TRAY
73420-6170	OPTION 1	
PART NO.	FINISH (BODY)	PACKAGING

PS-89675-3760	ELEC/MECH PERFORMANCE
SPECIFICATION	DESCRIPTION

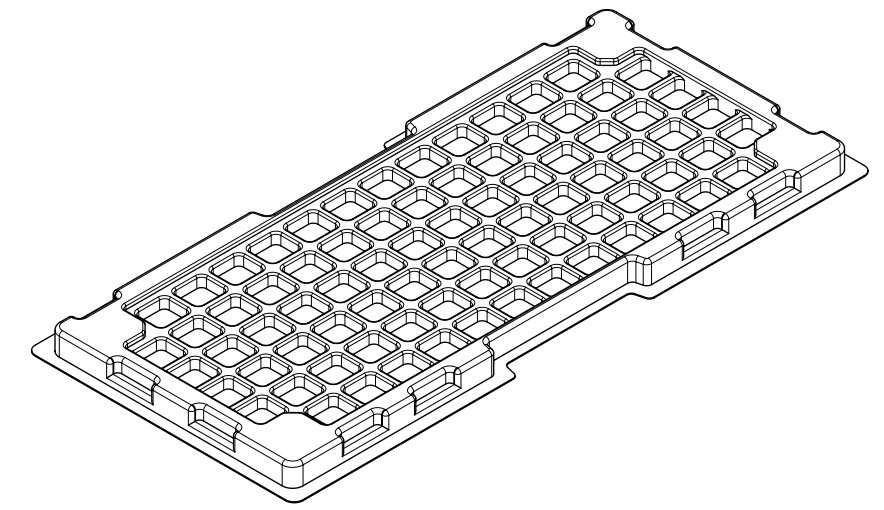
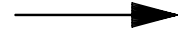
A2	2019/6/17	ADD -6171 PER EWR #13159-A
REV	DATE	DESCRIPTION

THIS DRAWING CONTAINS INFORMATION THAT IS PROPRIETARY TO MOLEX ELECTRONIC TECHNOLOGIES, LLC AND SHOULD NOT BE USED WITHOUT WRITTEN PERMISSION

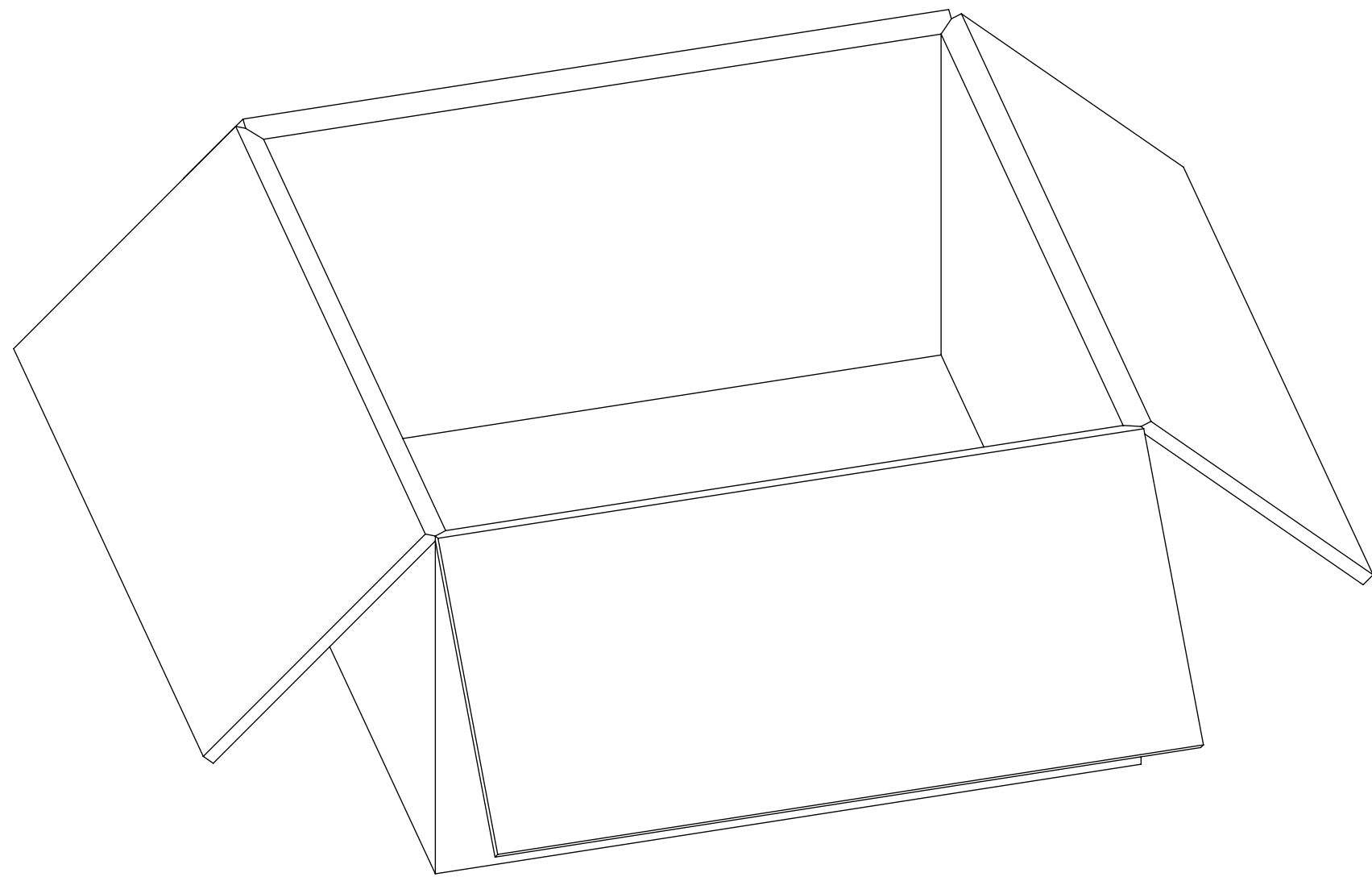
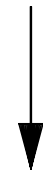
DIMENSION UNITS	SCALE	CURRENT REV DESC:	molex			
INCH/MM	NTS					
GENERAL TOLERANCES (UNLESS SPECIFIED)		EC NO: 620802	SMP-MAX EVO II J/J BULLET F TO F SYM 4 SLOTS L=8.8 EWR-12179			
ANGULAR TOL	± °					
4 PLACES	±	DRWN: RYEH 2019/06/17	PRODUCT CUSTOMER DRAWING			
3 PLACES	±	CHK'D: YCHENG 2019/07/30				
2 PLACES	±	APPR: YCHENG 2019/07/30	DOCUMENT NUMBER: 734206170			
1 PLACE	±	INITIAL REVISION:				
0 PLACES	±	DRWN: RYEH 2018/05/31	DOC TYPE: PSD			
		APPR: YCHENG 2018/09/11				
DRAFT WHERE APPLICABLE MUST REMAIN WITHIN DIMENSIONS	THIRD ANGLE PROJECTION	DRAWING	SERIES	MATERIAL NUMBER	CUSTOMER	SHEET NUMBER
		C-SIZE	73420	SEE TABLE		1 OF 2



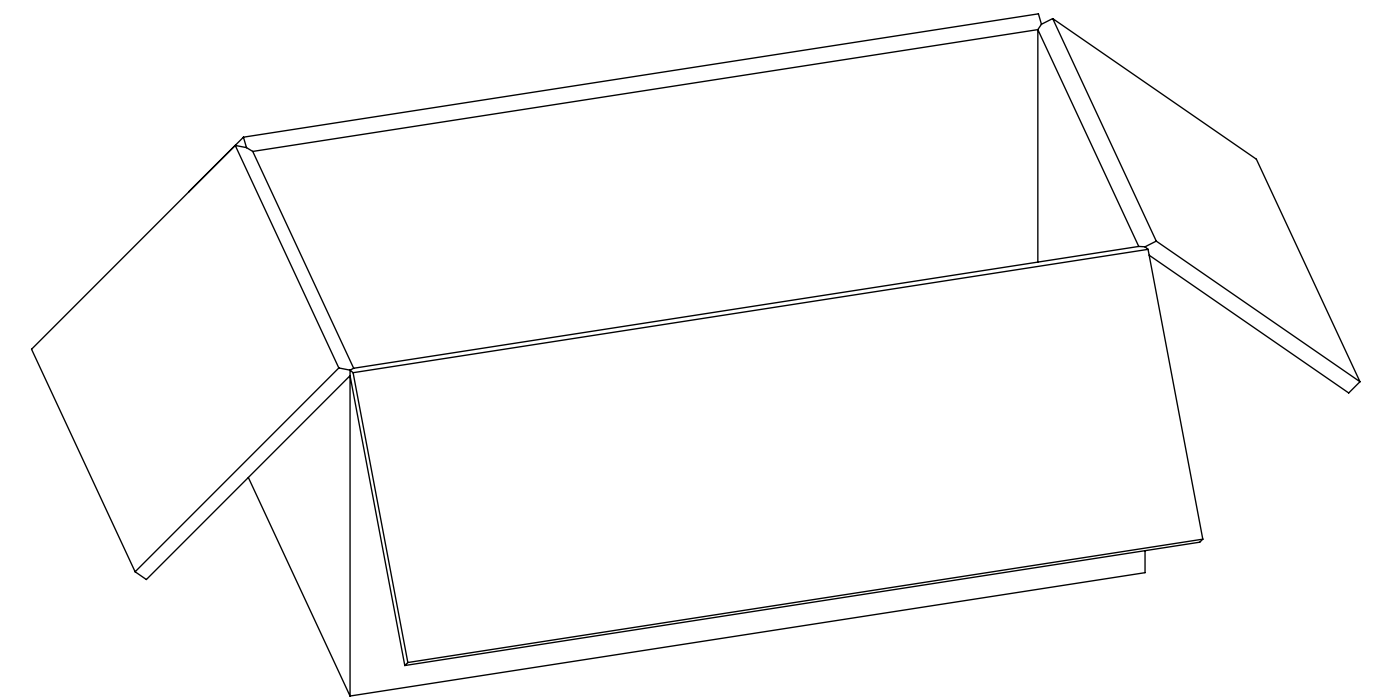
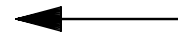
P/N:: 73420-6170
OR
P/N: 73420-6171



80 SETS PER TRAY
P/N: 89707-0190



3200 SETS PER OUTER
CARTON BOX
P/N: 96708-0005



1600 SETS PER INNER
CARTON BOX
P/N: 96707-0001

THIS DRAWING CONTAINS INFORMATION THAT IS PROPRIETARY TO MOLEX ELECTRONIC TECHNOLOGIES, LLC AND SHOULD NOT BE USED WITHOUT WRITTEN PERMISSION

DIMENSION UNITS		SCALE		CURRENT REV DESC:		molex							
INCH/MM		NTS											
GENERAL TOLERANCES (UNLESS SPECIFIED)				EC NO: 620802		SMP-MAX EVO II J/J BULLET F TO F SYM 4 SLOTS L=8.8 EWR-12179							
ANGULAR TOL ± °				DRWN: RYEH 2019/06/17									
4 PLACES ±				CHK'D: YCHENG 2019/07/30		PRODUCT CUSTOMER DRAWING							
3 PLACES ±				APPR: YCHENG 2019/07/30									
2 PLACES ±				INITIAL REVISION:		DOCUMENT NUMBER							
1 PLACE ±				DRWN: RYEH 2018/05/31									
0 PLACES ±				APPR: YCHENG 2018/09/11		734206170							
DRAFT WHERE APPLICABLE MUST REMAIN WITHIN DIMENSIONS		THIRD ANGLE PROJECTION		DRAWING		SERIES		MATERIAL NUMBER		CUSTOMER		SHEET NUMBER	
				C-SIZE		73420		SEE TABLE				2 OF 2	

DOCUMENT STATUS	P1	RELEASE DATE	2019/07/30	03:21:19
-----------------	----	--------------	------------	----------