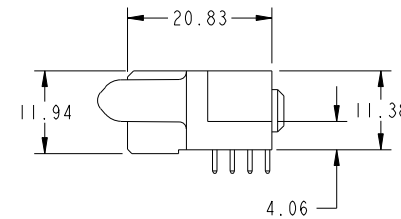
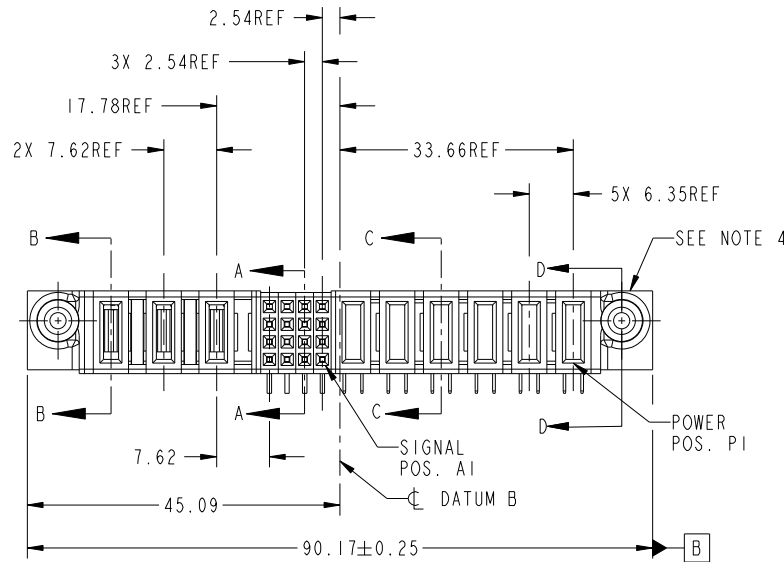
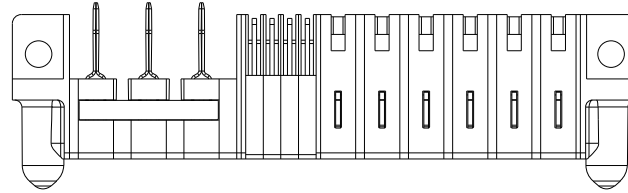


Tous droits strictement réservés. Reproduction ou communication a des tiers interdite sous quelque forme que ce soit sans autorisation écrite du propriétaire. Propriété de c FCI. Droits de reproduction FCI.



All rights strictly reserved. Reproduction or issue to third parties in any form whatever is not permitted without written authority from the proprietor. Property of FCI. Copyright FCI.

PRODUCT NO.	ROWS	POWER			SIGNAL			POWER			E1				
		E2	P9	P8	P7	4	3	2	1	P6		P5	P4	P3	P2
51915-139-- NOTE: ③	D C B A		PH	PH	PG	H	H	H	H	PA	PA	PA	PC	PC	PC
		G	G	G	G	F	F	F	F	F	F	F	F	F	F
		E	E	E	E	E	E	E	E	E	E	E	E	E	E



CODE	DIM "M" MATING LENGTH	CONTACT TYPE
H	[N/A]	SIGNAL
G	[N/A]	SIGNAL
F	[N/A]	SIGNAL
E	[N/A]	SIGNAL
PA	[1.07]	POWER
PC	[2.34]	POWER
PG	[1.07]	POWER
PH	[2.34]	POWER

mat'l code				SEE NOTE 2		tolerances unless otherwise specified		CUSTOMER		FCI	
ltr	ecn no.	dr	date	linear	0.X ± 0.3	projection		COPY		www.fciconnect.com	
A	DG07-0400	SH	10/09/07		0.XX ± 0.13	MIM		title		6P + 16S + 3ACP	
B	DG08-0273	WD	12/10/08	angles	0.XXX ± 0.051	← MIM →		R/A STB RECEPTACLE		product family PwrBlade code 213	
				dr	0° ± 2°	scale		size		dwg no 51915-139 sheet 1 of 4	
				enr	Sincere He 10/08/07	1:1		A		cage code 22526	
				chr	Sincere He 10/09/07						
				appd	Gary Hsieh 10/08/07						
					Joseph Hsia 10/08/07						
sheet index	revision sheet	B 1	B 2	B 3	B 4						

Pro/E

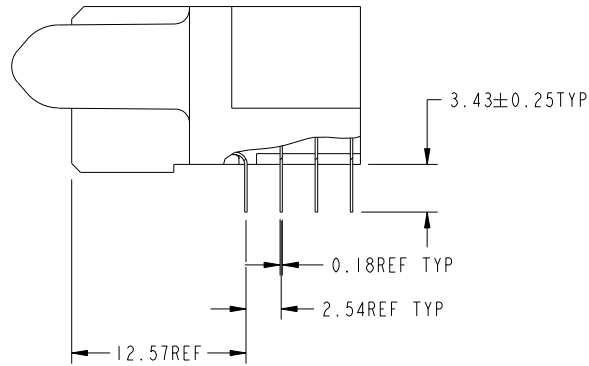
cage code 22526

Tous droits strictement reserves. Reproduction ou communication a des tiers interdite sous quelque forme que ce soit sans autorisation ecrite du proprietaire. Propriete de c FCI. Droits de reproduction FCI.

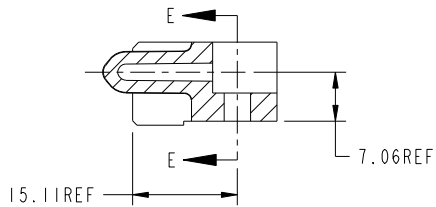
All rights strictly reserved. Reproduction or issue to third parties in any form whatever is not permitted without written authority from the proprietor. Property of FCI. Copyright FCI.



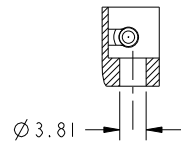
PRODUCT NUMBER
51915-139
NOTE: ③



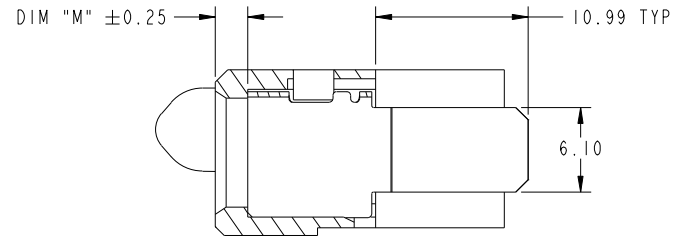
BROKEN-OUT SECTION A-A
SCALE 2:1



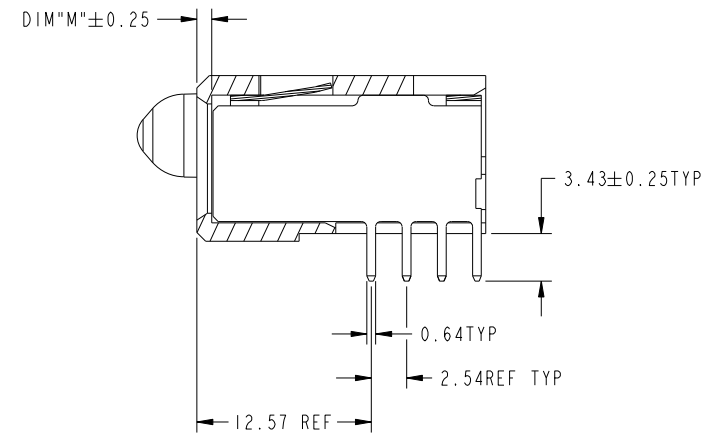
SECTION D-D



SECTION E-E



SECTION B-B
SCALE 2:1



SECTION C-C
SCALE 2:1

mat'l code		SEE NOTE 2		tolerances unless otherwise specified		CUSTOMER		FCI	
ltr	ecn no.	dr	date	linear	0.X ± 0.3	COPY		www.fciconnect.com	
B					0.XX ± 0.13	projection		title	
				angles	0.XXX ± 0.051			6P + 16S + 3ACP R/A STB RECEPTACLE	
				dr	0° ± 2°			product family PwrBlade code 213	
				enr	Sincere He 10/08/07	scale		size dwg no 2 of 4	
				chr	Sincere He 10/09/07	1:1		A 51915-139	
				appd	Gary Hsieh 10/08/07				
					Joseph Hsia 10/08/07				
sheet index	revision sheet								

cage code 22526

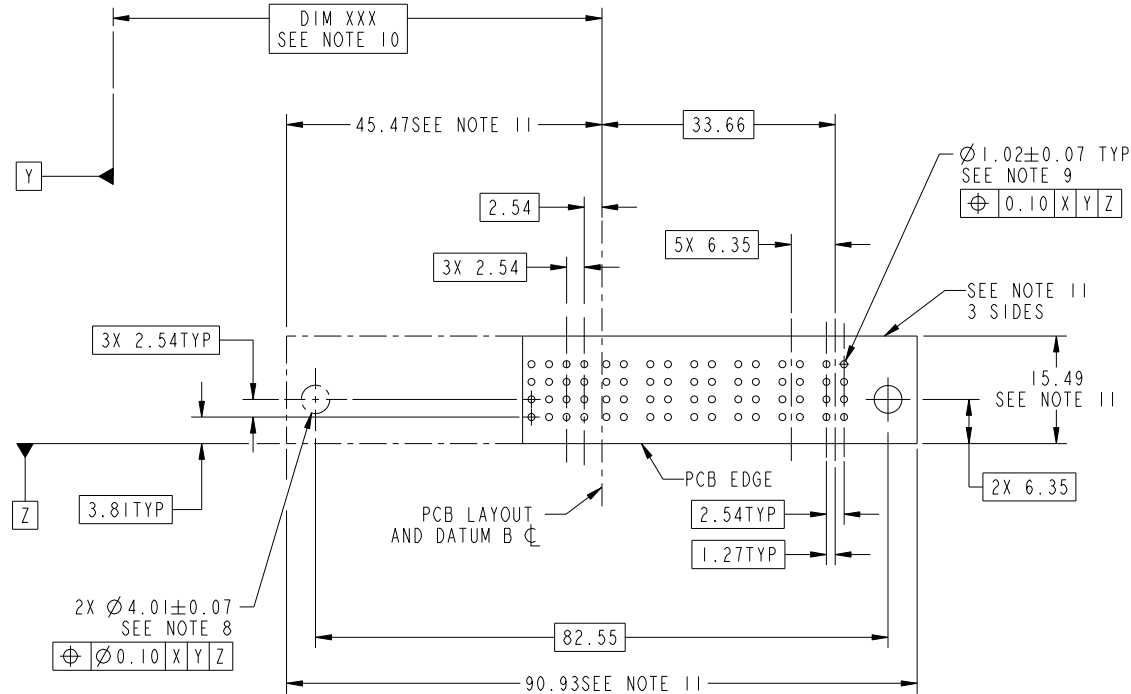
Pro/E

Tous droits strictement reserves. Reproduction ou communication a des tiers interdite sous quelque forme que ce soit sans autorisation écrite du propriétaire. Propriete de c FCI. Droits de reproduction FCI.



All rights strictly reserved. Reproduction or issue to third parties in any form whatever is not permitted without written authority from the proprietor. Property of FCI. Copyright FCI.

PRODUCT NUMBER
51915-139_-
NOTE:③



RECOMMENDED PCB LAYOUT

mat'l code				SEE NOTE 2		tolerances unless otherwise specified		CUSTOMER		 www.fciconnect.com	
ltr	ecn no.	dr	date	linear	0.X ±0.3		COPY		 title	6P + 16S + 3ACP	
B					0.XX ±0.13		MIM			R/A STB RECEPTACLE	
					0.XXX ±0.051		 product family			PwrBlade	
				angles	0° ±2°		scale		code		
				dr	Sincere He	10/08/07	1:1		213		
				enr	Sincere He	10/09/07	A		sheet		
				chr	Gary Hsieh	10/08/07			3 of 4		
				appd	Joseph Hsia	10/08/07			51915-139		
sheet index	revision sheet								cage code		
									22526		

Pro/E

cage code 22526

Tous droits strictement reserves. Reproduction ou communication a des tiers interdite sous quelque forme que ce soit sans autorisation écrite du propriétaire. Propriete de c FCI. Droits de reproduction FCI.



All rights strictly reserved. Reproduction or issue to third parties in any form whatever is not permitted without written authority from the proprietor. Property of FCI. Copyright FCI.

PRODUCT NUMBER
51915-139_-
NOTE: ③

NOTES:

1. DIMENSIONS AND TOLERANCES ARE IN ACCORDANCE WITH ASME Y14.5M, 1994 UNLESS OTHERWISE SPECIFIED.

CONNECTOR NOTES:

② HOUSING MATERIAL: UL 94 V-0 GLASS FILLED HIGH-TEMP THERMOPLASTIC

POWER CONTACT MATERIAL: COPPER ALLOY
SIGNAL PIN MATERIAL: COPPER ALLOY

ⓑ 3. SEE ITEM 5 & 6 IN PRINT 10064183 FOR PLATING SPEC OF 51915-139 AND 51915-139LF RESPECTIVELY.

④ MANUFACTURER'S NAME, P/N, AND DATE CODE TO APPEAR ON THIS SURFACE.

5. PRODUCT SPECIFICATION GS-12-149.
APPLICATION SPECIFICATION BUS-20-067.

6. PACKAGED IN TRAYS.

PCB NOTES:

7. ALL HOLE DIAMETERS ARE FINISHED HOLE SIZE.

⑧ MOUNTING HOLES, WHERE APPLICABLE, ARE UNPLATED.

⑨ $\varnothing 1.151 \pm 0.025$ DRILLED HOLES PLATED WITH
0.008 MIN SnPb OR Sn OVER 0.03
TO 0.08 Cu PLATING TO ACHIEVE
 $\varnothing 1.02 \pm .07$ HOLE.

⑩ "DIM XXX" TO BE DETERMINED BY THE CUSTOMER.

⑪ CONNECTOR KEEP-OUT ZONE.

12. A ⓑ SYMBOL WILL BE NEXT TO ANY DIMENSION, VIEW, OR NOTE WHICH HAS BEEN MODIFIED WITH THE CURRENT DRAWING REVISION.

mat'l code				SEE NOTE 2		tolerances unless otherwise specified		CUSTOMER		FCI		www.fciconnect.com		
ltr	ecn no.	dr	date	linear	0.X ± 0.3		COPY		projection	title				
B					0.XX ± 0.13		⊕			6P + 16S + 3ACP R/A STB RECEPTACLE				
					0.XXX ± 0.051		MIM			product family		PwrBlade		code
				angles	0° + 2°		← MIM →		size		dwg no		213	
				dr	Sincere He	10/08/07	scale		A		51915-139		sheet	
				engr	Sincere He	10/09/07	1:1						4 of 4	
				chr	Gary Hsieh	10/08/07								
				appd	Joseph Hsia	10/08/07								
sheet index	revision sheet													

cage code 22526

Pro/E