



ELECTRONICS, INC.
44 FARRAND STREET
BLOOMFIELD, NJ 07003
(973) 748-5089
<http://www.nteinc.com>

69-RTC1 RF Remote Touch RGB Controller/Dimmer for RGB LED Strips



Description:

The 69-RTC1 RF remote touch dimmer is compatible with any LED RGB product. Unique touch technology, user-friendly operation, and ease of use make the 69-RTC1 the ideal device for automatically controlling LED lights. The touch ring is used for easy color access and has 4 predefined pattern modes (static color, gradual, hopping, and white light).

Functional Description:

- 4 Predefined Patterns: Static Color, Gradual, Hopping, and White Light
- Brightness, Color, and Speed Control
- Power-Loss Memory Recovery Function
- Touch Surface with Full Color Selection Ring

Technical Specifications:

- Frequency: 433.92MHz
- Input Voltage: 12/24VDC
- Output Current: 8A * 3Ch (12V) / 4A * 3Ch (24V)
- Output Power: 216W (12V) / 288W (24V)
- Polarity: Common Anode
- Weight: 8.3oz. (235g)

Key Function Descriptions:



1. Power OFF
2. Power ON / Mode change
3. Speed +, static color saturation increase, white mode invalid
4. Speed -, static color saturation decrease, white mode invalid
5. Color ring, gradient mode, and white mode invalid
6. BRT+, brightness increase
7. BRT-, brightness decrease
8. Indicator

Available Remote Control Modes:

To cycle through the available modes, press the (power on) button at the top right of the remote control.

NO	Mode	Remarks	NO	Mode	Remarks
1	Static Red	Brightness is adjustable, Speed is unadjustable	12	Red strobe - flash	Brightness/Speed are adjustable
2	Static Green		13	Green strobe - flash	
3	Static Blue		14	Blue strobe - flash	
4	Static Yellow		15	Yellow strobe - flash	
5	Static Purple		16	Purple strobe - flash	
6	Static Cyan		17	Cyan strobe - flash	
7	Static White		18	White strobe - flash	
8	3-Colors Jump Change	Brightness/Speed are adjustable	19	R/B Crossfade	Brightness is adjustable, Speed is unadjustable
9	3-Colors Gradual Change		20	B/R Crossfade	
10	7-Colors Jump Change		21	G/B Crossfade	
11	3-Colors Gradual Change		22	Colors right crossfade	

Operating Instructions:

Step 1

Connect the (+/-) wires from the AC adapter and the (+RGB) wires from the end of the LED strip to the control box as shown in the wiring chart below. Use a small flat head screw driver to secure connections to the terminal block.

V-	Power Supply, Black
V+	Power Supply, Red
V+	LED Common, Black
R	Red
G	Green
B	Blue



Step 2

Install x3 AAA batteries into the remote and replace the back cover. Connect the power adapter to the power plug going to the control box.

Step 3

Plug the adapter power cord into a wall outlet. Once the control box has power, the LED strip will turn white indicating that it is ready to sync. * This sync period lasts 3 to 5 seconds.

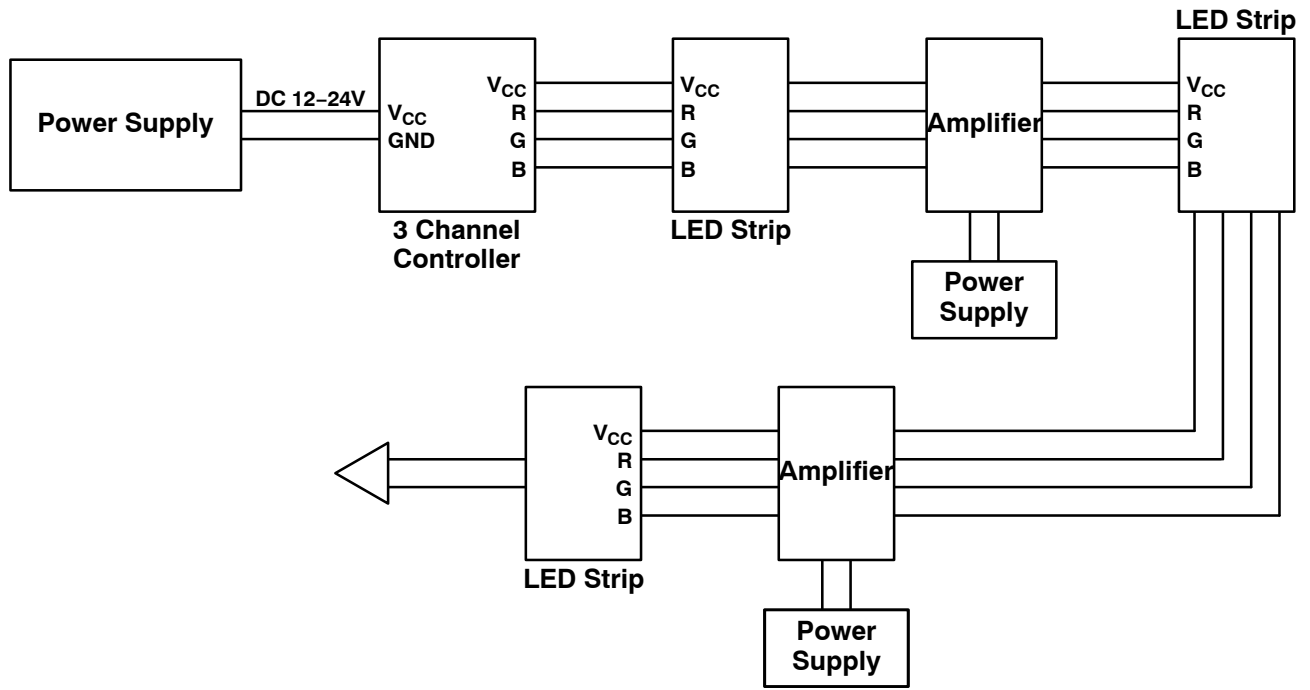
While in sync mode, point the remote in the direction of the control box. Hold down the Reduce Brightness button on the remote for 3 seconds. When syncing is complete, the unit will power off.

Step 14 (Alt.)

To de-sync the remote, repeat (Step 3) by holding down the Increase Brightness button for 3 seconds instead.

* To return to sync mode, power must be removed from the control box for at least 5 seconds.

Linking Operation:



Dimensions:

