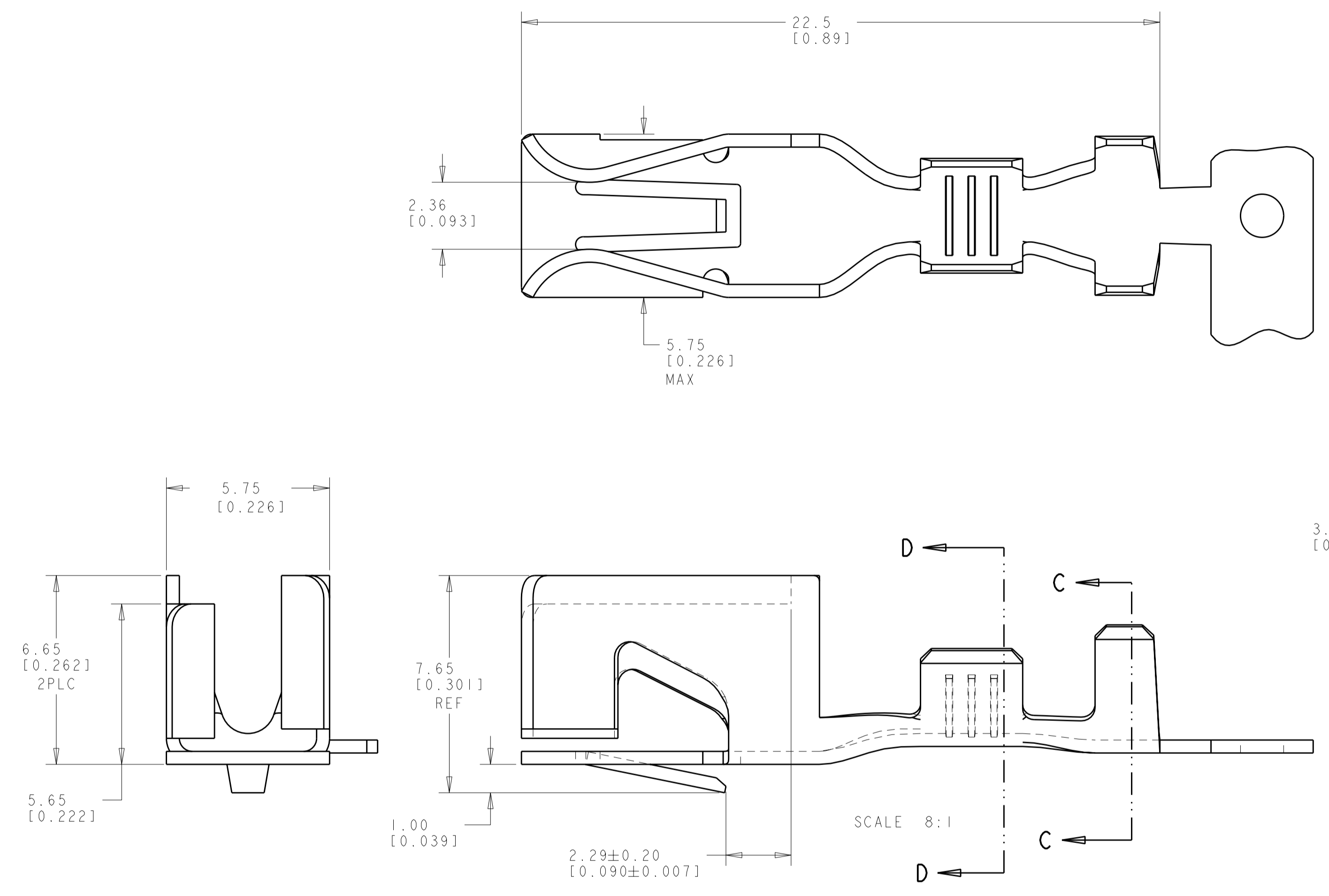
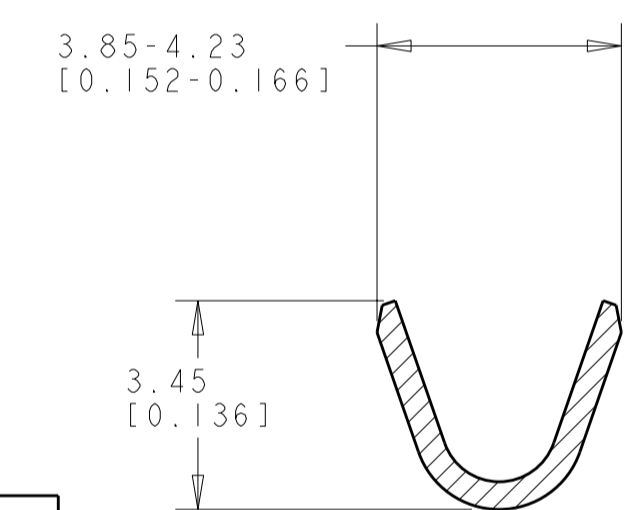


THIS DRAWING IS UNPUBLISHED. RELEASED FOR PUBLICATION 20
 © COPYRIGHT 20 BY TYCO ELECTRONICS CORPORATION. ALL RIGHTS RESERVED.

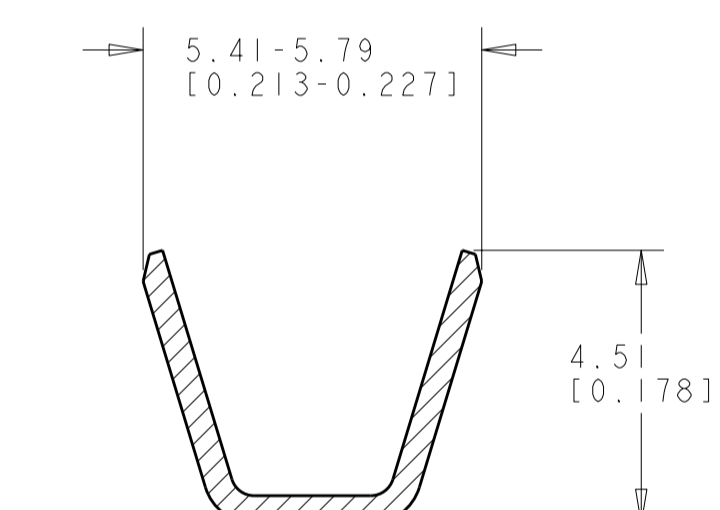
REVISIONS							
LOC	DIST	P	LTR	DESCRIPTION	DATE	DWN	APVD
-	-	A3		REVISED PER ECR-08-008671	24APR2008	HMR	DD



- NOTES:
- 1 MATERIAL: 0.457 THK, PHOSPHOR BRONZE
 - 2 FINISH: PRE-PLATED TIN
 - 3 CONTINUOUS STRIP ON REELS
 - 4 PREPRODUCTION - FASR REQUIRED.



SECTION D-D



SECTION C-C

F OR 0	4.57 [.180]	7.00 [.276]	F	2.79 [.110]	1.75 [.069]	2 [#18]
					1.47 [.058]	1 [#18]
TYPE	WIDTH	STRIP LENGTH ±0.38 ±[.015]	TYPE	WIDTH	±0.051 ±[.002] HEIGHT	WIRE
INSUL BARREL CRIMP		WIRE BARREL CRIMP				

DIMENSIONS: mm		TOLERANCES UNLESS OTHERWISE SPECIFIED:	
	0 PLC ±	1 PLC ±	2 PLC ±0.13
	3 PLC ±	4 PLC ±	ANGLES ±
MATERIAL		FINISH	
	1		2

1.78 - 1.98 DIA [.070 - .078] DIA	[#20 - #18] AWG	1742396-1
INSULATION RANGE	WIRE SIZE	PART NUMBER
DWN S_HILT 15MAY2007 CHK S_HORST 15MAY2007 APVD - Tyco Electronics Harrisburg, PA 17105-3608 NAME: TERMINAL, LAMP SOCKET, GROUND SIZE: A2 CAGE CODE: 00779 DRAWING NO: 1742396 RESTRICTED TO: - WEIGHT: - CUSTOMER DRAWING SCALE: 8 SHEET 1 OF 1 REV: A3		