

1742999-1 ✓ ACTIVE

FASTON | FASTON 250

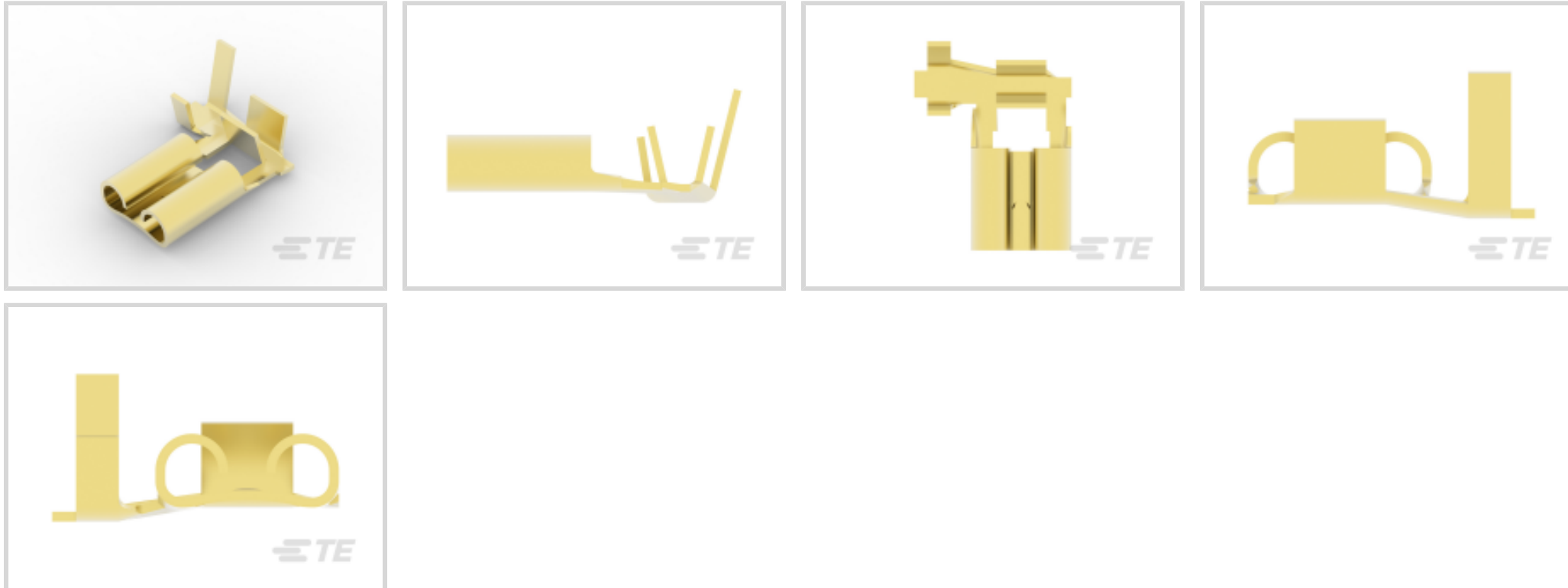
TE Internal #: 1742999-1

Quick Disconnects, Receptacle, 18 – 14 AWG Wire Size, .82 – 2.08 mm<sup>2</sup> Wire Size, Mating Tab Width 6.35 mm [.25 in], Flag, Brass, FASTON 250

[View on TE.com >](#)



Terminals & Splices > Quick Disconnects



Quick Disconnect Terminal Type: **Receptacle**

Wire Size: **.82 – 2.08 mm<sup>2</sup>**

Mating Tab Width: **6.35 mm [.25 in]**

Mating Tab Thickness: **.81 mm [.032 in]**

## Features

### Product Type Features

Insertion Force	Low
-----------------	-----

### Configuration Features

Connection Capacity	Single
Compatible With Wire & Cable Type	Discrete Wire

### Contact Features

Quick Disconnect Terminal Type	Receptacle
Mating Tab Width	6.35 mm [.25 in]
Mating Tab Thickness	.81 mm [.032 in]
Terminal Orientation	Flag
Contact Base Material	Brass
Terminal Plating Material	Unplated
Crimp Type	F-Crimp
Barrel Type	Open

### Termination Features

--	--



Product Terminates To	Wire & Cable
-----------------------	--------------

### Mechanical Attachment

Wire Insulation Support	With
Mating Retention Type	Dimple

### Dimensions

Terminal Material Thickness	.41 mm[.016 in]
Product Length	15.34 mm[.604 in]
Compatible Insulation Diameter Range	2.79 – 4.06 mm[.11 – .16 in]
Wire Size	.82 – 2.08 mm <sup>2</sup>

### Usage Conditions

Insulation Option	Uninsulated
Operating Temperature Range	-40 – 110 °C[-40 – 230 °F]

### Industry Standards

Agency/Standard	UL
-----------------	----

### Packaging Features

Packaging Quantity	9000
Packaging Method	Strip/Reel

### Product Compliance

[For compliance documentation, visit the product page on TE.com>](#)

EU RoHS Directive 2011/65/EU	Compliant
EU ELV Directive 2000/53/EC	Compliant
China RoHS 2 Directive MIIT Order No 32, 2016	No Restricted Materials Above Threshold
EU REACH Regulation (EC) No. 1907/2006	Current ECHA Candidate List: JUNE 2023 (235) Candidate List Declared Against: JAN 2021 (211) Does not contain REACH SVHC
Halogen Content	Low Halogen - Br, Cl, F, I < 900 ppm per homogenous material. Also BFR/CFR/PVC Free
Solder Process Capability	Not reviewed for solder process capability

Product Compliance Disclaimer



This information is provided based on reasonable inquiry of our suppliers and represents our current actual knowledge based on the information they provided. This information is subject to change. The part numbers that TE has identified as EU RoHS compliant have a maximum concentration of 0.1% by weight in homogenous materials for lead, hexavalent chromium, mercury, PBB, PBDE, DBP, BBP, DEHP, DIBP, and 0.01% for cadmium, or qualify for an exemption to these limits as defined in the Annexes of Directive 2011/65/EU (RoHS2). Finished electrical and electronic equipment products will be CE marked as required by Directive 2011/65/EU. Components may not be CE marked. Additionally, the part numbers that TE has identified as EU ELV compliant have a maximum concentration of 0.1% by weight in homogenous materials for lead, hexavalent chromium, and mercury, and 0.01% for cadmium, or qualify for an exemption to these limits as defined in the Annexes of Directive 2000/53/EC (ELV). Regarding the REACH Regulation, the information TE provides on SVHC in articles for this part number is based on the latest European Chemicals Agency (ECHA) 'Guidance on requirements for substances in articles' posted at this URL: <https://echa.europa.eu/guidance-documents/guidance-on-reach>

## Compatible Parts

TE Part # 1742999-3  
250 FASTON,FLAG,REC.,18-14 AWG, TPBR

TE Part # 2-2150398-2  
OCEAN\_2.0\_APPLICATOR-E-100F180O

TE Part # 2150398-2  
OCEAN\_2.0\_APPLICATOR-E-100F180O

TE Part # 7-2150398-2  
OCEAN\_2.0\_APPLICATOR-E-100F180O

**KIT**  
REPRESENTATION ONLY

TE Part # 7-2150398-7  
OCEAN\_2.0\_SPARE\_PART\_KIT-100F180O

## Also in the Series | FASTON 250

Compression Connectors(4)

Crimp Terminal Housings(142)

Insertion & Extraction Tools(6)

Magnet Wire Terminals(1)



PCB Terminals(135)



Quick Disconnects(445)



Splices(4)

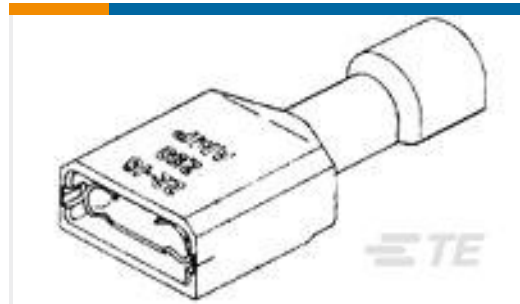
## Customers Also Bought



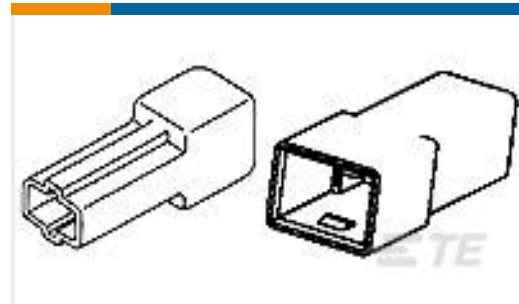
TE Part #770849-3  
03P SL156 HSG W/LCK RMP & TABS



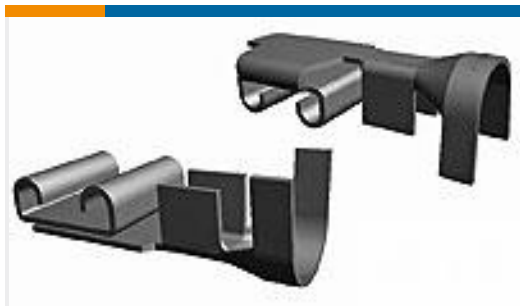
TE Part #60279-2  
250 FASTON REC 18-14 AWG TPBR



TE Part #2-520401-2  
ULTRA-FAST 187 ASY REC 22-18 TPBR



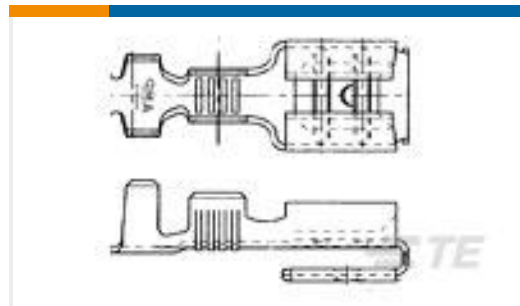
TE Part #180916  
FF 250 TAB HSG 1P NYLON NAT



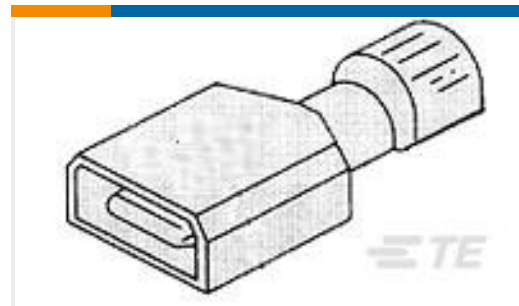
TE Part #62048-2  
250 FASTON REC 18-14 AWG TPBR



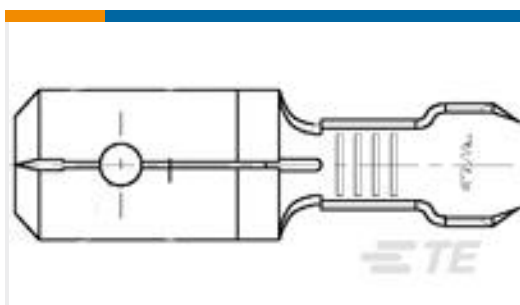
TE Part #3-1625885-2  
1W SM M/OX 5% 1K2



TE Part #160739-2  
250 FASTON,PIGGYBACK REC.,18-14 AWG,TPBR



TE Part #3-520106-2  
ULTRA-FAST 250 ASY TAB 16-14 AWG TPBR



TE Part #42474-4  
250 FASTON TAB 18-14 AWG TPBR



TE Part #1649328-4  
RTD14012

## Documents

### Product Drawings

[250 FASTON,FLAG,REC.,18-14 AWG,BR](#)

English

### CAD Files

[3D PDF](#)

[3D](#)

### Customer View Model

[ENG\\_CVM\\_CVM\\_1742999-1\\_A\\_c-1742999-1-a.2d\\_dxf.zip](#)



English

**Customer View Model**

[ENG\\_CVM\\_CVM\\_1742999-1\\_A\\_c-1742999-1-a.3d\\_igs.zip](#)

English

**Customer View Model**

[ENG\\_CVM\\_CVM\\_1742999-1\\_A\\_c-1742999-1-a.3d\\_stp.zip](#)

English

By downloading the CAD file I accept and agree to the [Terms and Conditions](#) of use.

---

**Datasheets & Catalog Pages**

[Introductory Flyer - Low Insertion Force FASTON Terminals](#)

English

---

**Product Specifications**

[Application Specification](#)

English

---

**Product Environmental Compliance**

[TE Material Declaration](#)

English