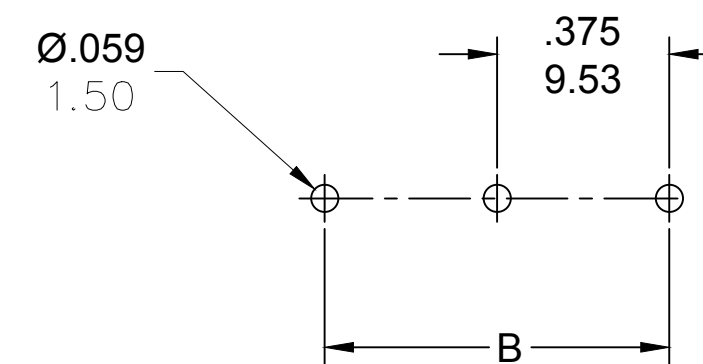
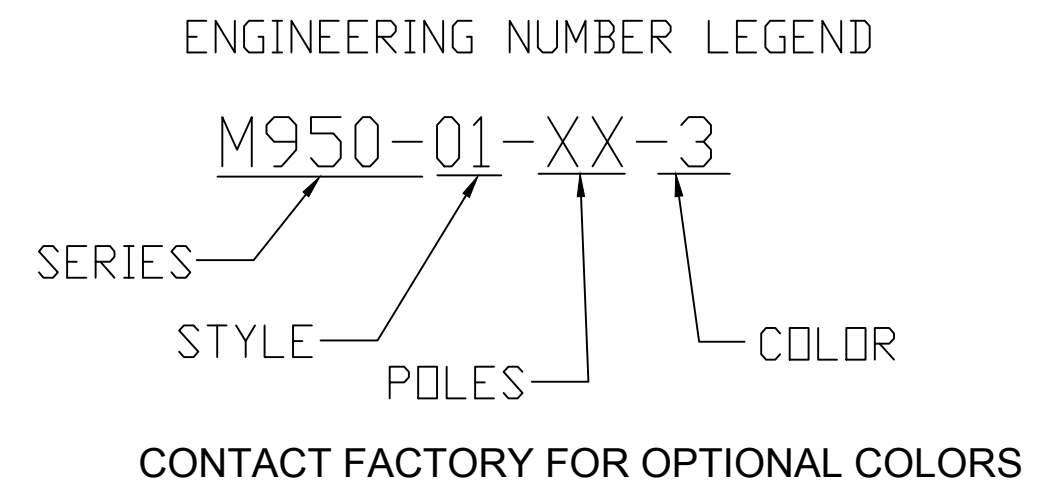
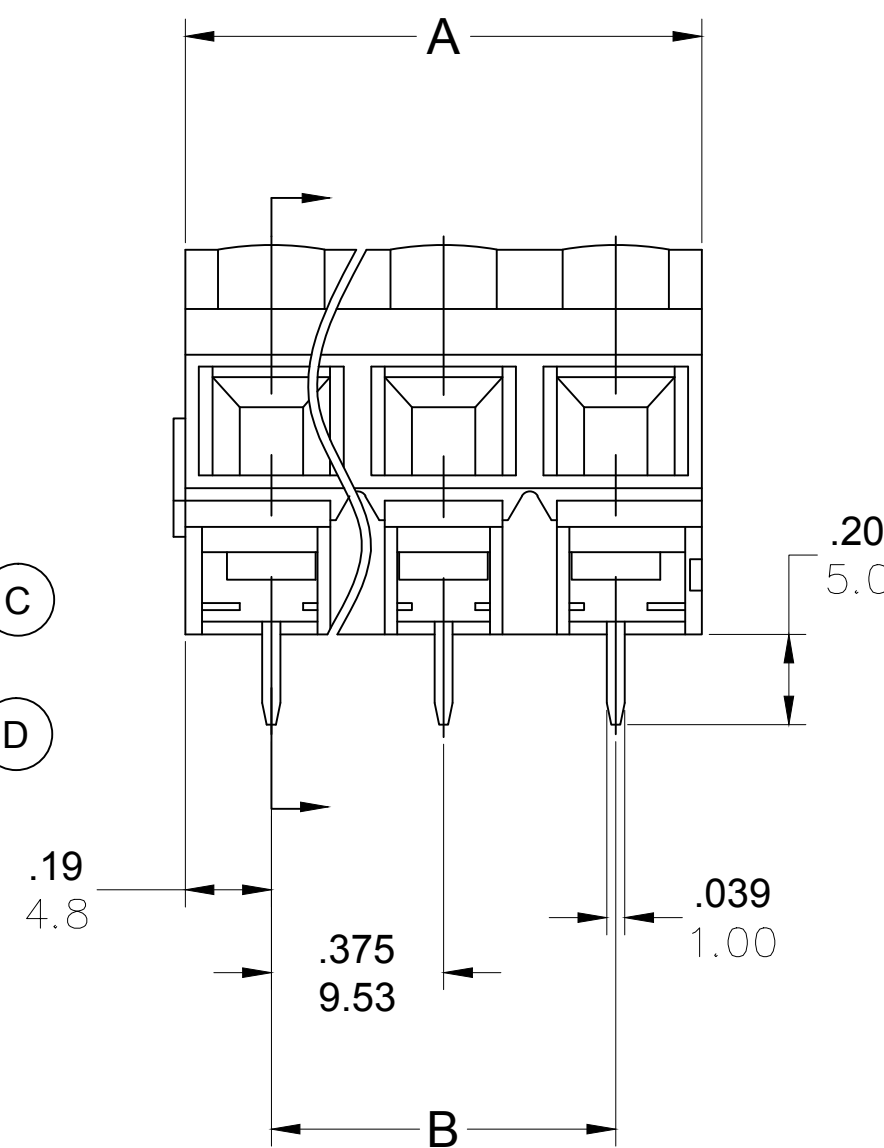
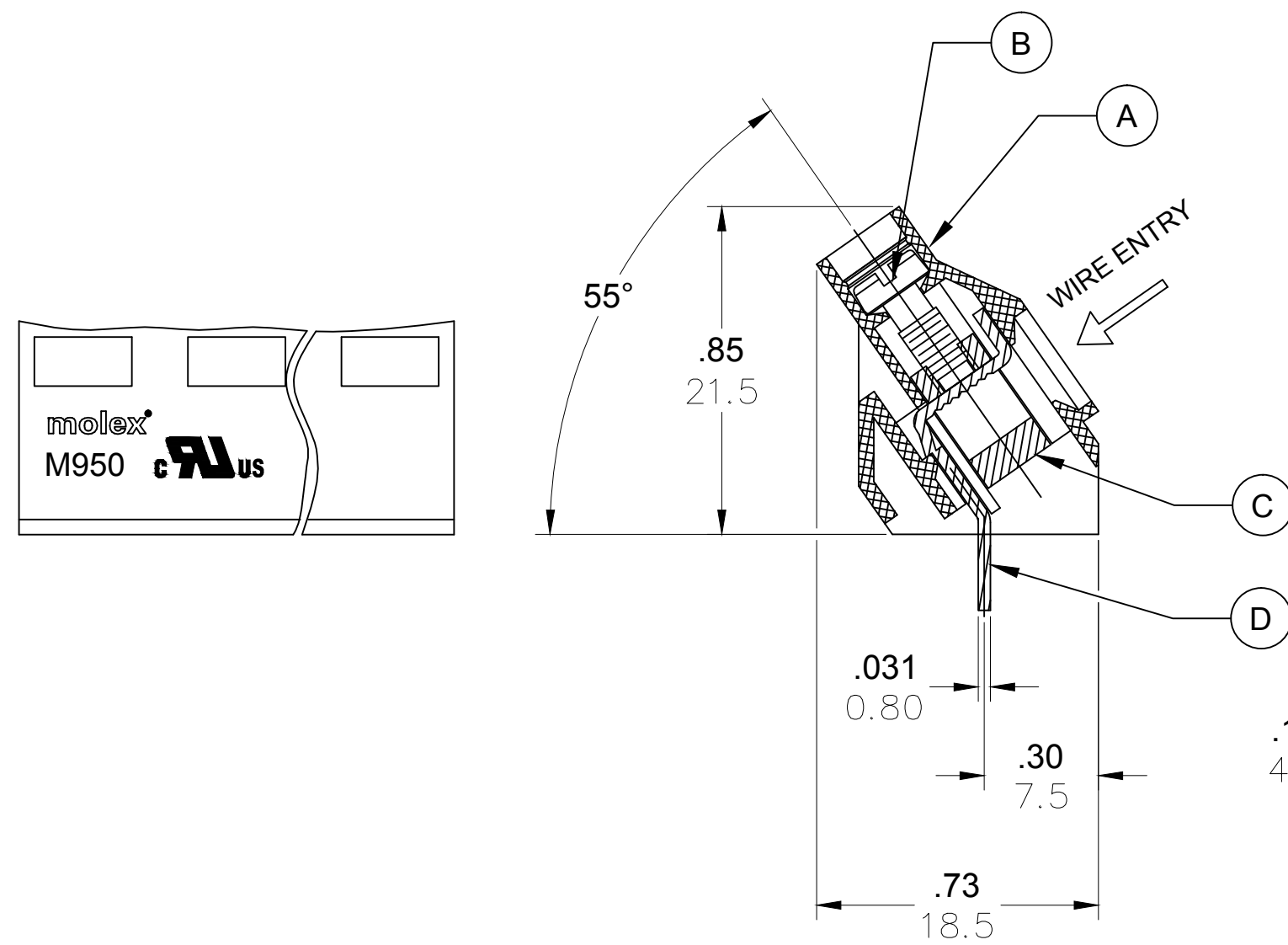


### PART NUMBER DATA

CIRCUITS	PART NUMBER	ENGINEERING NUMBER	COLOR	A IN mm		B IN mm	
2	397450002	M950-01-02-3	GREEN	.75	19.1	.375	9.53
3	397450003	M950-01-03-3	GREEN	1.13	28.6	.750	19.05

REF. LAST 2 DIGITS OF PART NUMBER EQUAL CIRCUIT COUNT



### SPECIFICATIONS:

#### 1. MATERIAL:

- A. BODY: PA66, UL94 V-0
- B. SCREW: M3, STEEL ZINC PLATED
- C. CAGE: BRASS, NI PLATED
- D. TERMINAL: BRASS, TIN PLATED

- 2. RATING: 300V, 30A
- 3. MAX TORQUE: 4.5 LBF. IN.
- 4. WIRE RANGE: 30-10 AWG
- 5. WIRE STRIP: .30 IN, (7.5mm)
- 6. DIELECTRIC VOLTAGE WITHSTAND: AC 2500V FOR 1 MINUTE.
- 7. INSULATION RESISTANCE: DC 500V, 500MΩ
- 8. RATED IMPULSE VOLTAGE: 4000V, PLUS AND MINUS 5 TIMES EACH
- 9. OPERATING TEMPERATURE: -40°C TO +105°C
- 10. MAX. SOLDERING TEMP: 250°C (500°F) FOR 5 SECONDS
- 11. DIMS. SHOWN ARE FOR REFERENCE ONLY

TOLERANCES			
MM	TOL	INCH	TOL
0-6	±0.25	0-.24	±.010
>6-30	±0.40	.24-1.18	±.016
>30-120	±0.50	1.18-4.76	±.020
>120	±0.80	>4.76	±.031

REVISED DOC TOL EC NO.: ICG2017-0881 DRWN: ABENJAMI CHKD: --- APPR: BRUPERT 4/6/17 2014/10/16 DESCRIPTION REV	QUALITY SYMBOL	GENERAL TOLERANCES (UNLESS SPECIFIED)	DIMENSION STYLE IN/MM	SCALE ---	DESIGN UNITS METRIC	THIRD ANGLE PROJECTION	
	▽=0	4 PLACES ±--- ±---	DRAWN BY RSTONE	DATE 2014/06/27	TITLE		
	∇=0	3 PLACES ±--- ±---	CHECKED BY G FARNSW	DATE ---	EURO TERMINAL BLOCK 9.53MM, MODULAR 55 DEGREE		
		2 PLACES ±--- ±---	APPROVED BY JFMURPHY	DATE 2014/10/16	MOLEX INCORPORATED		
		1 PLACE ±--- ±---	MATERIAL NO. SEE CHART		DOCUMENT NO. SD-39745-001	SHEET NO. 1 OF 1	
DRAFT WHERE APPLICABLE MUST REMAIN WITHIN DIMENSIONS			THIS DRAWING CONTAINS INFORMATION THAT IS PROPRIETARY TO MOLEX INCORPORATED AND SHOULD NOT BE USED WITHOUT WRITTEN PERMISSION				