

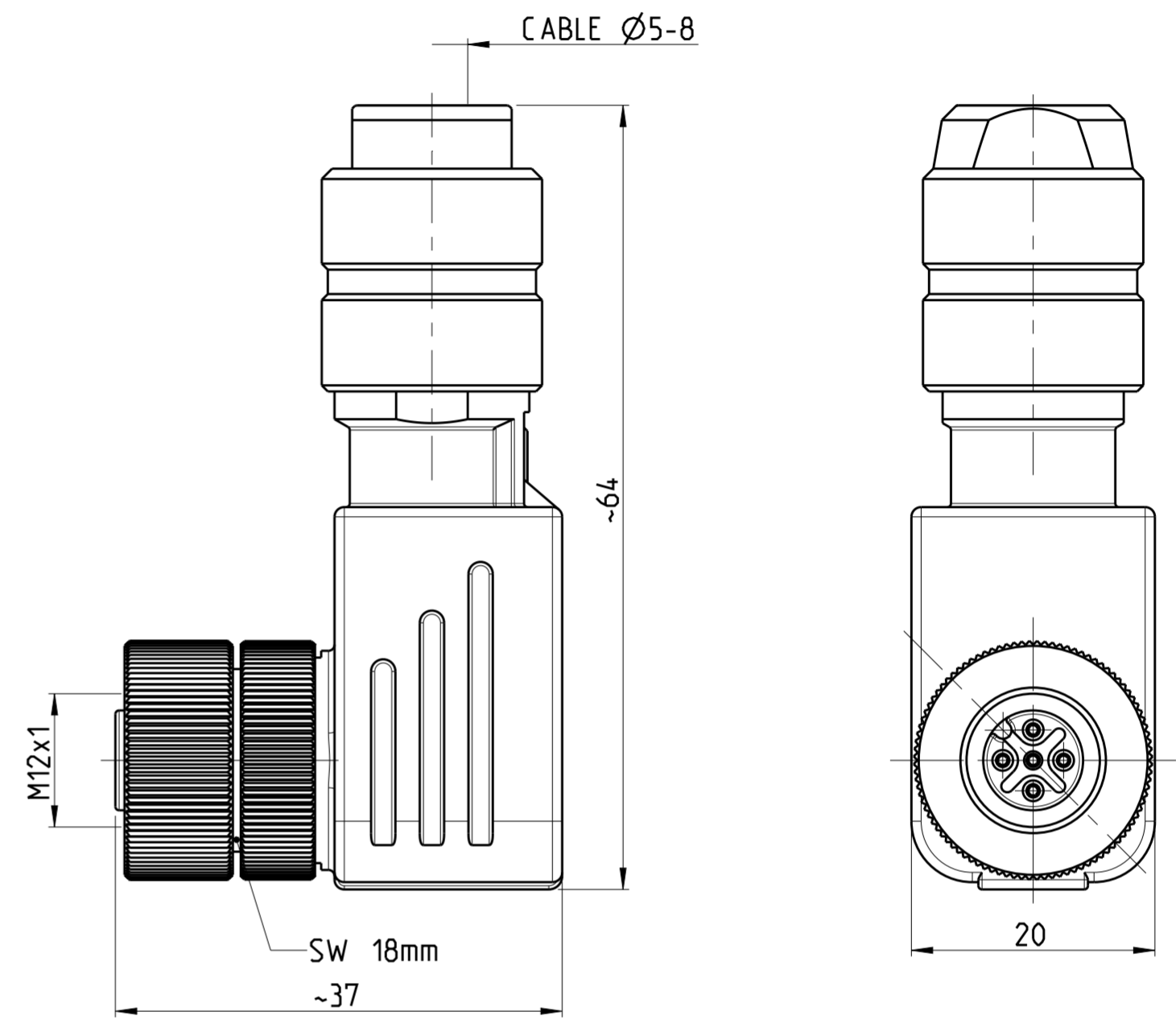
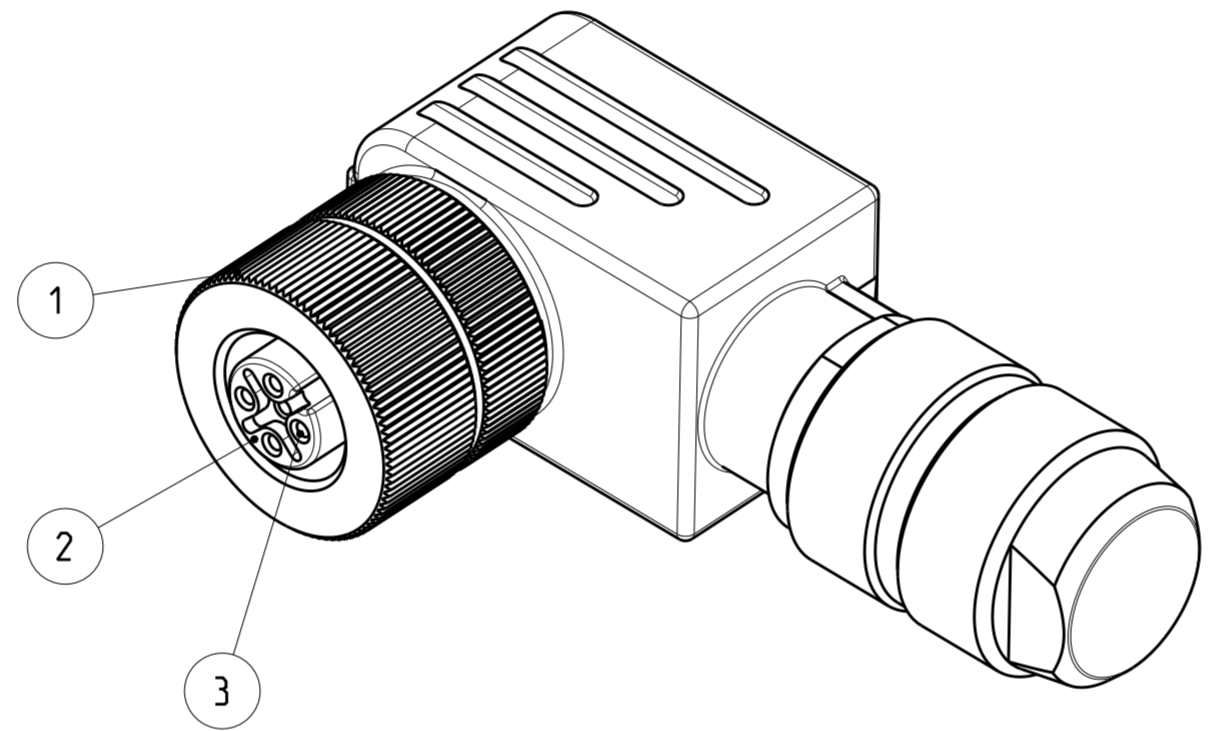
THIS DRAWING IS UNPUBLISHED. VERTRÄULICHE UNVERÖFFENTLICHTE ZEICHNUNG. RELEASED FOR PUBLICATION FREI FÜR VERÖFFENTLICHUNG. 2014. MATED WITH: PASSEND ZU:

PROJEKT NR.: PRJ-14-00000805

REVISIONS		DATE	DWN	APVD
ÄNDERUNGEN				
P	LTR	DESCRIPTION		
		BESCHREIBUNG		
	A2	DESCRIPTION CORRECTED FROM SOLDER TO SCREW TERMINAL IN TITLE BLOCK	13NOV2014	CR JK

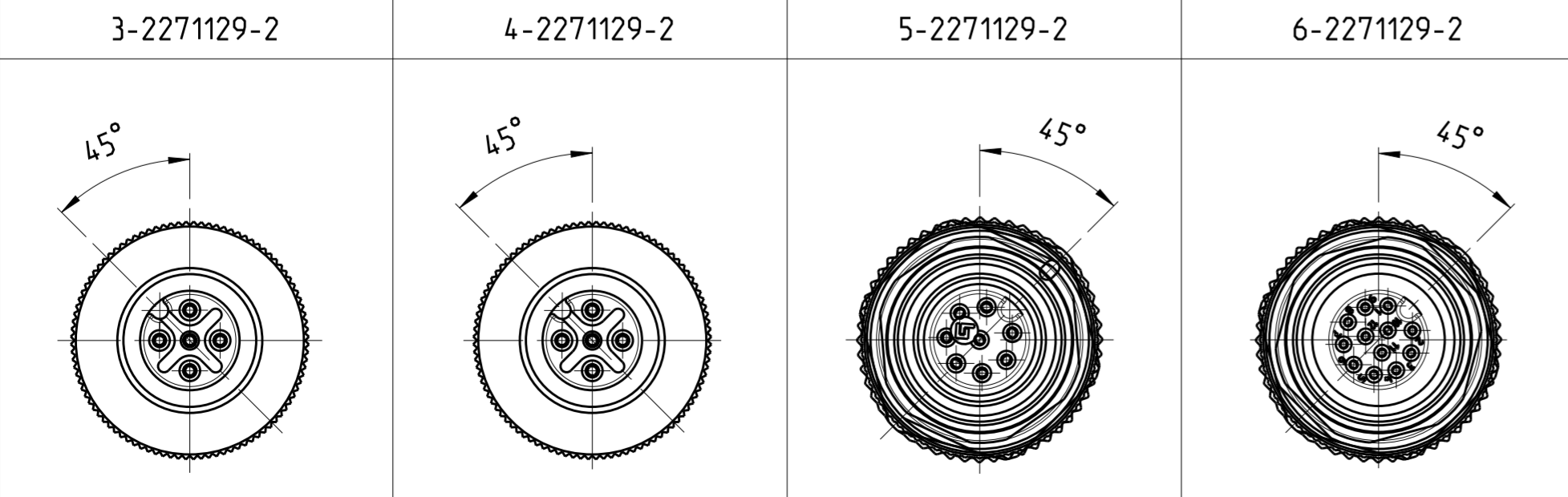
- 1 MATERIAL: ITEM NO. 1: HOUSING - ZINC DIECASTING, NICKEL PLATED
ITEM NO. 2: CONTACT BODY - PA
ITEM NO. 3: CONTACT FINISH - Au (gold)
- 2 CONTACT - CuZn (brass)
- 3 CONTACT - CuSn (bronze)
- 4 ALL DIMENSIONS ARE FOR NOMINAL REFERENCE ONLY UNLESS OTHERWISE STATED
- 5 MEASUREMENT REFERENCE ONLY
- 6 PACKAGING: 1 PIECE IN A BAG

TECHNICAL DATA	3-2271129-2	4-2271129-2	5-2271129-2	6-2271129-2
RATED VOLTAGE	250V	125V	60V	30V
RATED IMPULSE VOLTAGE	2500V	1500V	800V	500V
POLLUTION DEGREE	3	3	3	3
OVERVOLTAGE CATEGORY	II	II	II	II
MATERIAL GROUP	III	III	III	III
RATED CURRENT	4A	4A	2A	2A
VOLUME RESISTIVITY	≤ 3mΩ	≤ 3mΩ	≤ 3mΩ	≤ 3mΩ
DEGREE OF PROTECTION	IP67	IP67	IP67	IP67
UPPER TEMPERATURE	+85 °C	+85 °C	+85 °C	+85 °C
LOWER TEMPERATURE	-40 °C	-40 °C	-40 °C	-40 °C



4-2 AS SHOWN WIE GEZEICHNET

PIN ARRANGEMENT A-CODING (SCALE 2:1)



6-8	24 / 0.25mm ²	1 3	12	6-2271129-2
5-8	20 / 0.50mm ²	1 2	8	5-2271129-2
5-8	18 / 0.75mm ²	1 2	5	4-2271129-2
5-8	18 / 0.75mm ²	1 2	4	3-2271129-2
CABLE FEED-THROUGH mm	WIRES AWG / mm ²	MATERIAL	NUMBER OF POLES	TE-PART-NO.

SIZE ISO 14405 (E)

DIESE ZEICHNUNG IST EIN KONTROLLIERTES DOKUMENT. BEMASSUNGEN UND TOLERANZEN GEMAESS GPS (ISO STANDARDS). THIS DRAWING IS A CONTROLLED DOCUMENT. DIMENSIONING AND TOLERANCING PER GPS (ISO STANDARDS).

DWN YASHKUMAR 19MAY2014
CHK M.STRELOW 19MAY2014
APVD C.SCHREITLINGER 19MAY2014

NAME M12 RECEPTACLE, 90 DEG ANGLED FIELD INSTALLABLE, SHIELDED CONNECTOR SCREW TERMINALS, A-CODING

PRODUCT SPEC 108-19483
APPLICATION SPEC 114-32127

SCALE MASSSTAB 2:1 SHEET BLATT 1 OF 1 REV A2