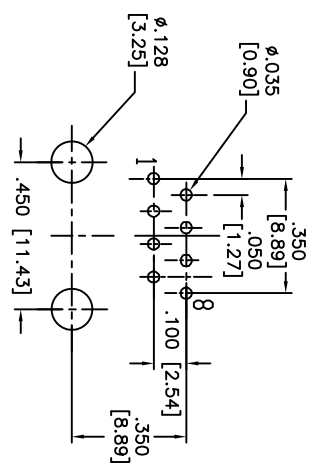
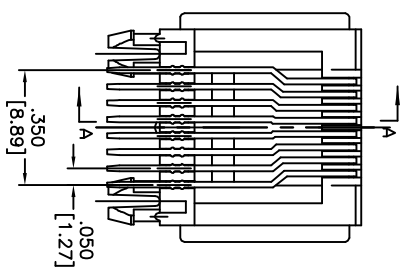
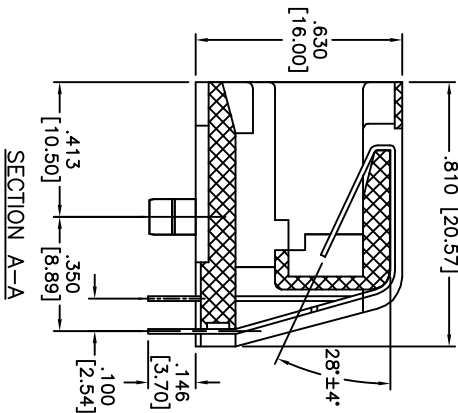
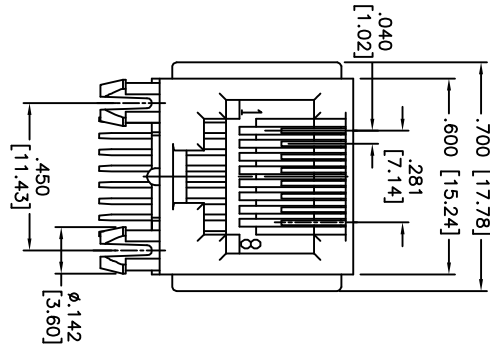


APPROVED: _____
 DATE: _____ TITLE: _____

Rev	AWO #	Description	Date	Appr
-		RELEASED	12/1/04	
A		UPDATED SPECS	01/13/05	
B		REDRAWN	9/4/14	AV/NP
C		UPDATED DRAWING.	3/23/15	HR/RT



X	PLATING
0	15 µin Gold
1	30 µin Gold
2	50 µin Gold

SPECIFICATIONS:

Material: Insulator: PBT, rated UL 94V-0
 Insulator color: Black
 Contacts: Phosphor Bronze
 Plating: Gold over Nickel underplate on contact area, Tin over Copper underplate on PCB tails
 Electrical: Operating voltage: 125 VAC max
 Current rating: 1.5 Amps max
 Contact resistance: 20 mohms max
 Insulation resistance: 1,000 Mohms min @ 500 VDC
 Dielectric withstanding voltage: 1,000 VAC or 1,500 VDC for 1 minute
 Temperature Rating: Operating Temperature: -40°C to +85°C
 Environmental: Lead free, RoHS compliant.

UNLESS OTHERWISE SPECIFIED
 ALL DIMENSIONS ARE INCHES [MM]
 TOLERANCES: EXCEPT AS NOTED
 INCHES Holes ±.10
 .XX ±.020 ØXXX ±.015
 .XXX ±.015 ØXXX ±.010
 APPROVALS DATE

ADAM TECH

909 Railway Avenue, Union, NJ 07083
 Phone: 908-687-5000 Fax: 908-687-5710

MODULAR TELEPHONE JACK, 8P8C
 RIGHT ANGLE, PCB, COLOR BLACK

DRAWN	SS	12/1/04
CHECKED		
APPROVED		

TITLE	SIZE	PART NO.	REV.
	X	MTJ-881X1	C
REF:	S00036C	SCALE: NTS	SHEET 1 OF 1