

**Ratings**

Voltage: 300 V  
Temperature  
Static: -40 ~ 105 °C  
Dynamic: -20 to 105 °C  
Flammability: VW-1  
Water resistant: 75 °C  
Oil resistant: 60 °C (jacket)  
≥50% elongation and tensile strength after aging  
UV resistance: jacket, 720 hours xenon or carbon arc exposure  
≥80% tensile strength and elongation after aging

**Conductor**

Conductor count: 7  
Gauge: 28 AWG 0.09 mm<sup>2</sup>  
Material: tinned copper strands  
Strand size: Ø 0.127 mm x 7  
Resistance at 20 °C: 239 Ω /km Max

**Insulator**

Material: PVC  
Color: red, black, white, yellow, blue, green, orange  
Diameter: Ø 1.2 ±0.10 mm  
Nominal thickness: 0.38 mm  
Resistance at 20 °C: 10 MΩ /km Min

**Drain**

Stranding: Ø 0.127 mm x 7  
Material: tinned copper strands

**Shield**

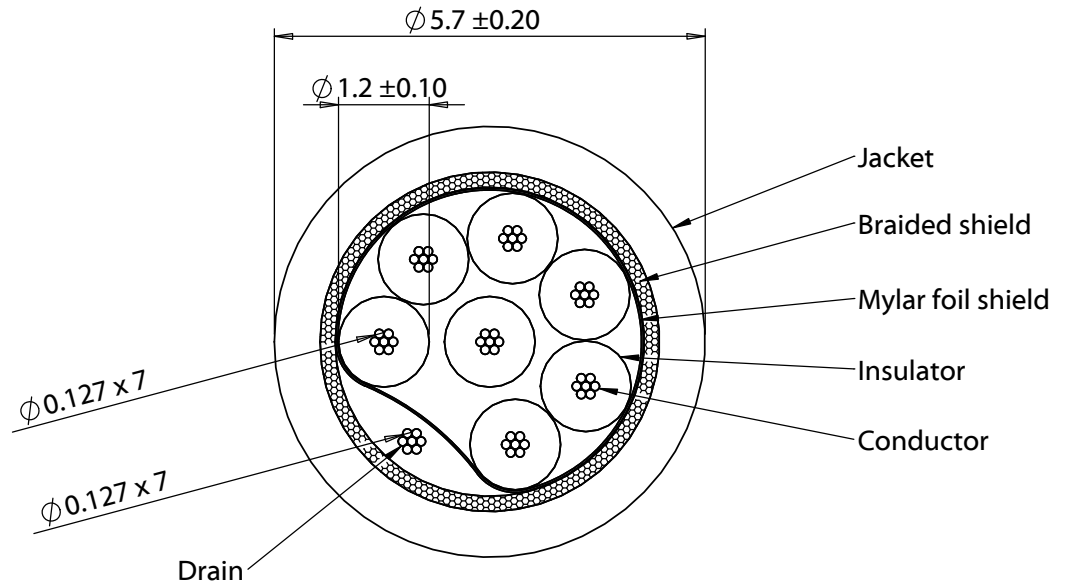
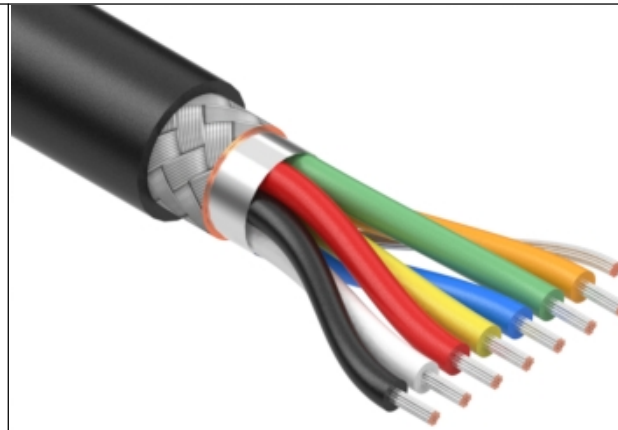
Type: aluminum mylar + tinned copper braid  
Coverage: 65% min braid, 100% foil  
Braid stranding: Ø0.10 mm

**Outer jacket**

Material: PVC, 80A  
Color: black  
Diameter: Ø 5.7 ±0.20 mm  
Nominal thickness: 0.80 mm

**Wire marking:** E339579 UL AWM STYLE 20387 28 AWG 105°C  
300V VW-1 60°C OIL RESISTANT UV RESISTANT TENSILITY

**Use:** External wiring



Revision:	Date:	Description:
A	8/25/2020	Initial release

Prepared: JC <small>Digitally signed by JC Date: 2020.08.28 09:41:05 -07'00'</small>	Notes:  RoHS compliant  Function test: no open, no short circuit, no intermittent
Verified: AW <small>Digitally signed by AW Date: 2020.08.28 14:01:27 -07'00'</small>	
Dimensions are in millimeters. Tolerances: X: ± 0.5 mm X.X: ± 0.3 mm X.XX: ± 0.05 mm	Description: Wire, 7C TS, 28 AWG, UL20387, 300V, 105C, 60C oil, UV, 5.7 mm, shielded, VW-1, PVC, 80A, black

**TENSILITY**

tel 1.541.323.3228 800 877.670.7118  
fax 1.541.323.4202 web tensility.com

Size: A	Part number: 30-01605
Scale: 10:1	Sheet 1 of 1