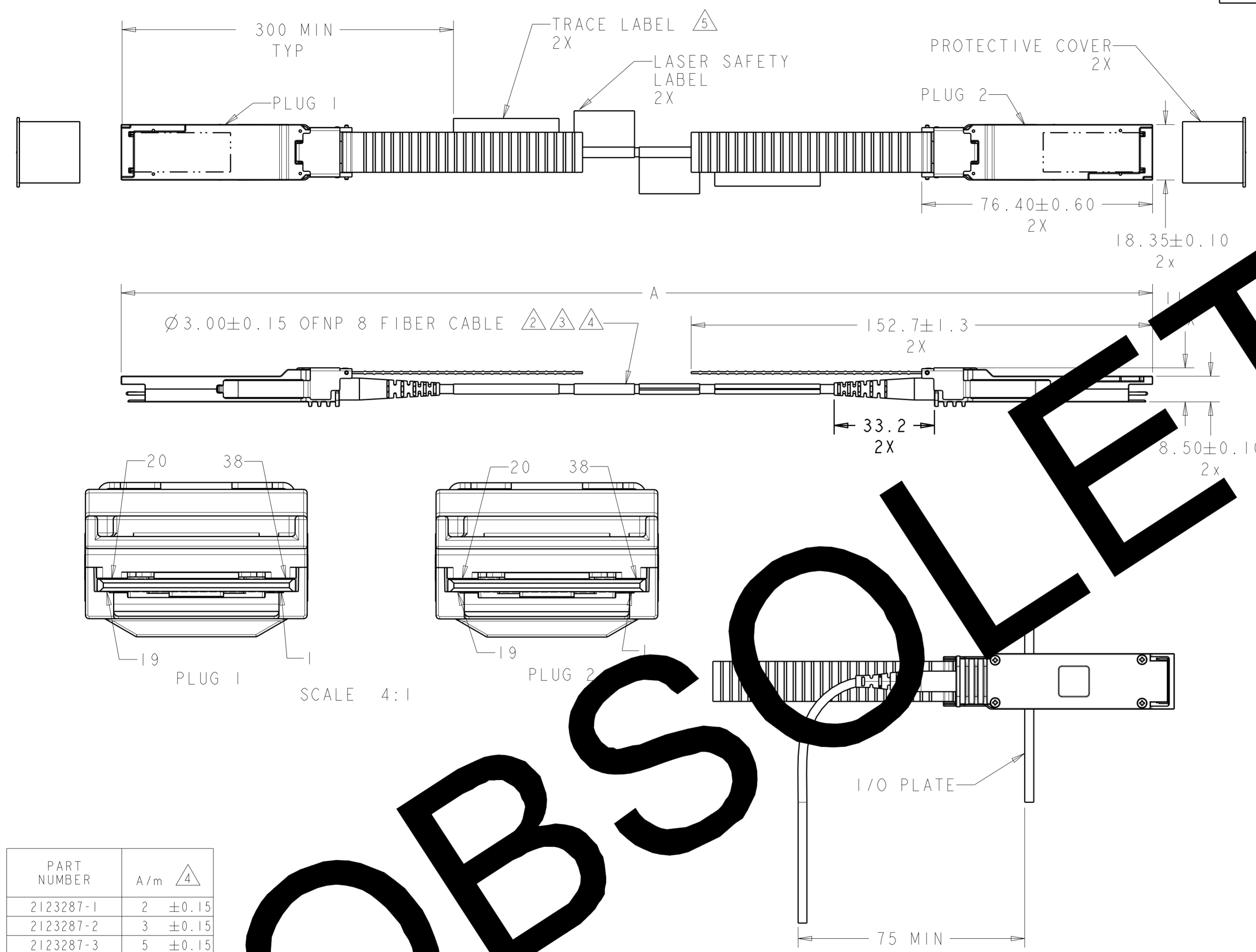


THIS DRAWING IS UNPUBLISHED. RELEASED FOR PUBLICATION 20
 © COPYRIGHT 20 BY - ALL RIGHTS RESERVED.

LOC	DIST	REVISIONS					
CD	00	P	LTR	DESCRIPTION	DATE	DWN	APVD
		B		ECR-14-013486	17SEP14	SW	RZ
		B2		REVISE NOTES	27OCT2015	BB	JC
		B3		OBSOLETE PER ECR-16-006201	08JUL2016	DEH	JC



- CONFORMS TO 108-2397 PRODUCT SPECIFICATION, 1-1773459-9 PRODUCT FLYER, INFINIBAND SPECIFICATION FOR QDR AND COMPATIBLE WITH QSFP SPECIFICATION.
 - CAUTION! CUTTING CABLE MAY RESULT IN HAZARDOUS RADIATION EXPOSURE.
 - CONFORMS TO 409-CORE INTERCONNECT CABLE REQUIREMENTS.
 - STANDARD OM2 CABLE TO BE USED FOR LENGTHS UP TO INCLUDING 30 m. OM3 CABLE FOR LENGTHS OVER 30 m.
 - SEE TRACE LABEL FOR DETAIL.
 - THESE DIMENSIONS ARE NOT CARRIED THROUGH TO THE OTHER END, SINCE EACH END OF THE CABLE IS POWERED SEPARATELY.
 - CHASSIS MOUNT IS ISOLATED FROM SIGNAL GROUND (GND) IN THE CABLE AND COMPONENTS.
 - THE QSFP MODULES IMPLEMENT THE I²C INTERFACE DESCRIBED IN 2123287-36 REV 4.3.
- EEPROM PROGRAMMED PER 2123287_EEPROM_CD REV B2.
 MUST CONTAIN FIRMWARE REVISION 1.15

PART NUMBER	A/m	△
2123287-1	2	±0.15
2123287-2	3	±0.15
2123287-3	5	±0.15
2123287-4	10	±0.15
2123287-5	15	±0.15
2123287-6	20	±0.20
2123287-7	25	±0.25
2123287-8	30	±0.30
2123287-9	40	±0.40
1-2123287-0	50	±0.50
1-2123287-1	100	±1.00
1-2123287-2	1	±0.15
1-2123287-3	7	±0.15

THIS DRAWING IS A CONTROLLED DOCUMENT.

DIMENSIONS:	TOLERANCES UNLESS OTHERWISE SPECIFIED:	DWN	27APR2010	TE Connectivity NAME PARALIGHT CABLE ASS'Y, 4X10 QSFP SIZE CAGE CODE DRAWING NO RESTRICTED TO A200779 C-2123287 SCALE 1:1 SHEET 1 OF 2 REV B3
mm	0 PLC ±	CHK	L. CASTAGNA 27APR2010	
	1 PLC ±0.5	APVD	R. FAIR 27APR2010	
	2 PLC ±0.13	PRODUCT SPEC	R.D. MILLER 27APR2010	
	3 PLC ±0.013	APPLICATION SPEC		
	4 PLC ±0.0001	WEIGHT		
MATERIAL	FINISH	CUSTOMER DRAWING		

THIS DRAWING IS UNPUBLISHED. RELEASED FOR PUBLICATION 20
 © COPYRIGHT 20 BY - ALL RIGHTS RESERVED.

LOC	DIST	REVISIONS					
CD	00	P	LTR	DESCRIPTION	DATE	DWN	APVD
		-		SEE SHEET 1	-	-	-

QSFP	
PIN NO.	SIGNAL
1	GND
2	Tx2n
3	Tx2p
4	GND
5	Tx4n
6	Tx4p
7	GND
8	ModSeIL
9	ResetL
10	Vcc Rx
11	SCL
12	SDA
13	GND
14	Rx3p
15	Rx3n
16	GND
17	Rx1p
18	Rx1n
19	GND
20	GND
21	Rx2n
22	Rx2p
23	GND
24	Rx4n
25	Rx4p
26	GND
27	ModPrsL
28	ModPrsR
29	Vcc Tx
30	Vcc I
31	Mode
32	Mode
33	Mode
34	Tx
35	GND
36	Tx1p
37	Tx1n
38	GND

OBSOLETE

TE P/N- = PREFIX (LASER SAFETY ID)
 X-2123287-X = TE 17 PART NUMBER

S/N: BBBMMDDNNNNN
 BAR CODE --
 TE P/N- = 2123287-X
 ASS'Y MADE IN US OF
 TE AND OTHER COMPONENTS

 Length: XXXm
 REV.B2

SERIAL NUMBER BBBMMYYDDNNNNN
 BB = BUILDING NUMBER
 MM = MANUFACTURING LOCATION
 YY = TWO DIGIT YEAR
 DDD = ORDINAL DATE
 NNNNN = FIVE DIGIT SERIAL NUMBER
 COUNTRY OF ORIGIN
 WHEN MANUFACTURED
 OUTSIDE THE US LABEL
 MUST READ 'MADE IN XXXXX'.
 -- WHERE XXXXX REPRESENTS
 THE COUNTRY OF MANUFACTURING
 -- LENGTH FROM PART NUMBER TABLE
 -- TE LOGO & CUSTOMER PRINT REV

TRACE LABEL INFORMATION
 NOTE: LASER SAFETY CERTIFICATION IS BASED ON THE PREFIX
 AND THAT TE IS THE ONLY MANUFACTURE VISIBLE ON
 THE LABEL.

THIS DRAWING IS A CONTROLLED DOCUMENT.		DWN L. CASTAGNA 27APR2010	TE Connectivity NAME PARALIGHT CABLE ASS'Y, 4X10 QSFP	
DIMENSIONS: mm		CHK R. FAIR 27APR2010		
TOLERANCES UNLESS OTHERWISE SPECIFIED: 0 PLC ±- 1 PLC ±0.5 2 PLC ±0.13 3 PLC ±0.013 4 PLC ±0.0001 ANGLES ±- FINISH		APVD R.D. MILLER 27APR2010	RESTRICTED TO	
MATERIAL		PRODUCT SPEC	SIZE CAGE CODE DRAWING NO	
		APPLICATION SPEC	A200779 C-2123287	
		WEIGHT	SCALE 1:1 SHEET 2 OF 2 REV B3	
		CUSTOMER DRAWING		