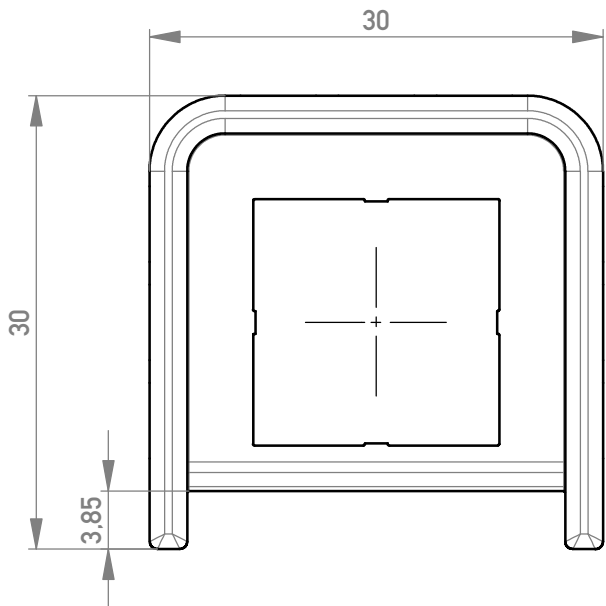
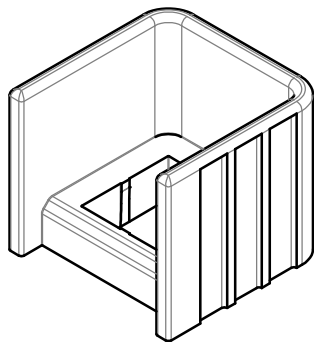


M 1:1 / scale 1:1



Verwendung mit PowerElement 225680.  
Usage with Power Element 225680.

Copyright by ERNI Production GmbH & Co. KG  
Proprietary notice pursuant to ISO 16016 to be observed.

Information:		Tolerances	Scale 2:1	
All rights reserved. Only for Information. To ensure that this is the latest version of this drawing, please contact one of the ERNI companies before using.		 All Dimensions in mm	Designation <b>Twisted and Contact Protection for Male PowerElements</b>	
 www.ERNI.com		<b>225797</b>		I A4
b	12.12.2018	Class POWELM		
Index	Date			