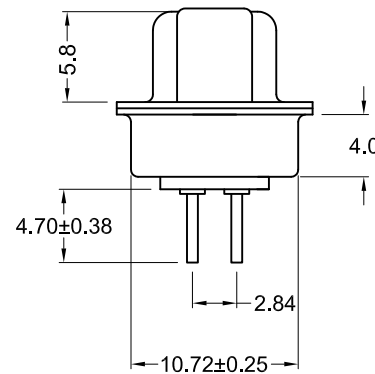
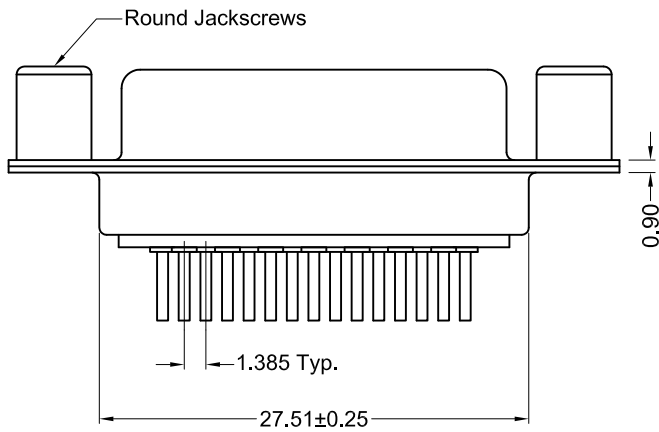


Recommended PCB Layout  
(Top View)



### Material And Finish

Shell: Steel, Nickel Plated

Insert: PBT Thermoplastic,  
Black Color, 30%  
Glass Filled, UL 94V-0 Rated

Contact Material:  
Socket - Brass

Contact Plating:

Standard:

Gold flash on mating end,  
tin on termination end, with  
entire contact nickel underplated

15 Option:

15u" gold on mating end,  
tin on termination end, with  
entire contact nickel underplated

30 Option:

30u" gold on mating end,  
tin on termination end, with  
entire contact nickel underplated

### Electrical Specifications

Contact Current Rating: 2A

Rated Voltage: 30V RMS

Insulation Resistance:  
more than 1000 Megohm  
at 500V DC

Dielectric Withstanding Voltage-  
1000 VAC rms for 1 minute

Contact Resistance:  
13 milliohm max.

Operating Temperature  
-55°C to +105°C

### Ordering Information

Part Number	Contact Area Plating Finish
K85X-AD-15S-R	Gold Flash (standard)
K85X-AD-15S-R15	15u" Gold (15 option)
K85X-AD-15S-R30	30u" Gold (30 option)



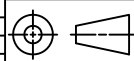
Tolerances
X.X ± 0.25
X.XX ± 0.15
Unless Stated Otherwise

REV.	DATE	DESCRIPTION	REV. BY	CHK. BY	DRAWN BY	DATE
A1	08/15/08	New Drawing	S. Vien	H. MA		
A2	12/31/17	ECO #17-030	J. Elbanna	C. Furumasu	S. Vien	08/15/08

**K85X-AD-15S-R**

Vertical PCB Mount D-Sub, RoHS Compliant

Round Jackscrews, 15 Pin Female



UNITS  
mm