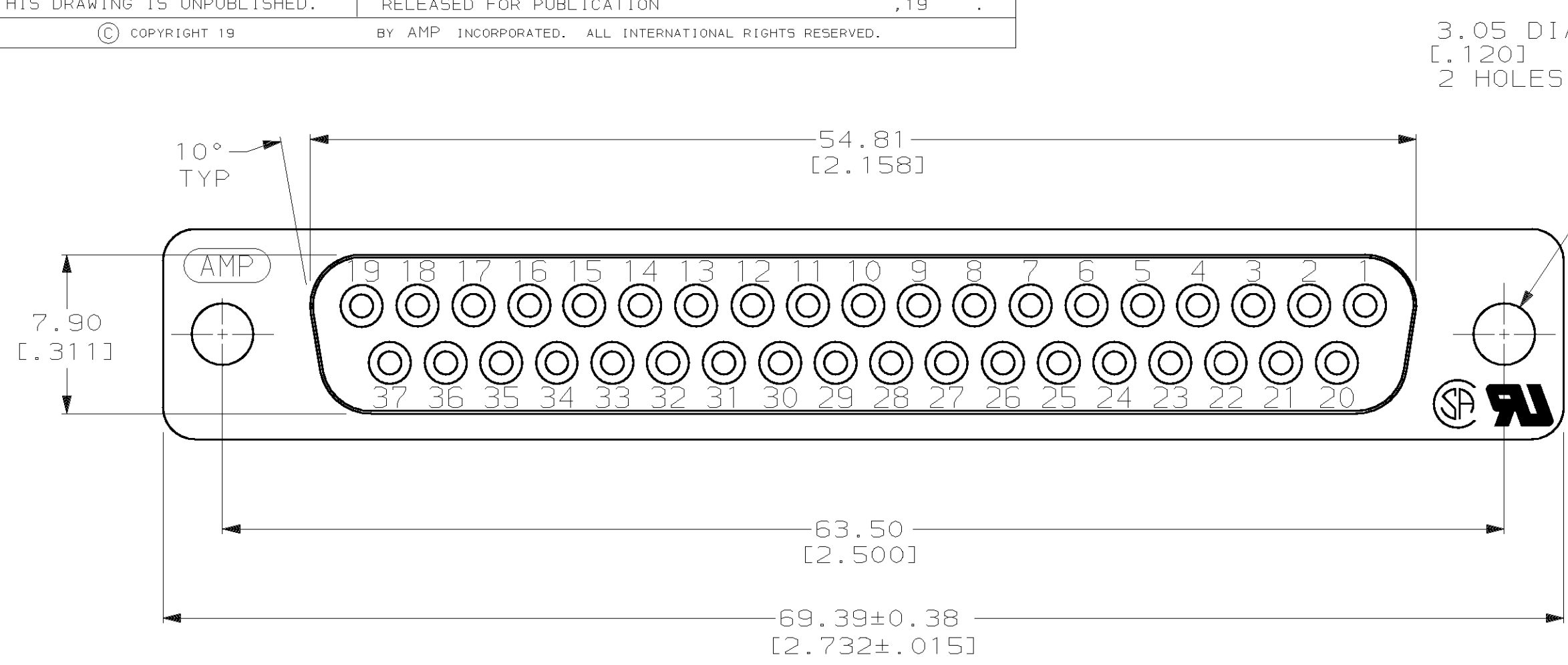
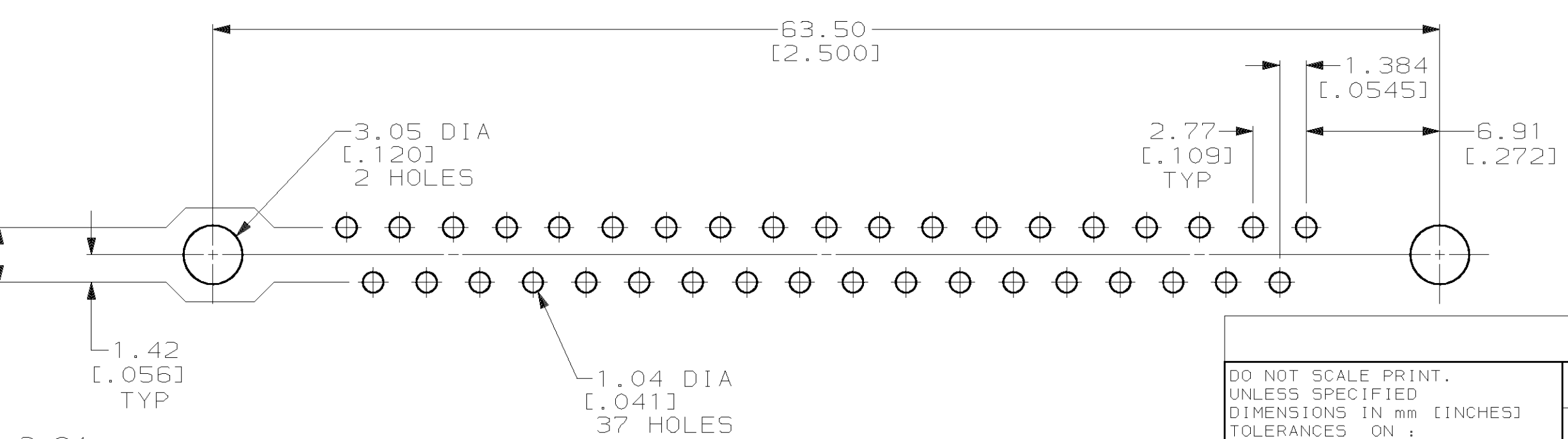
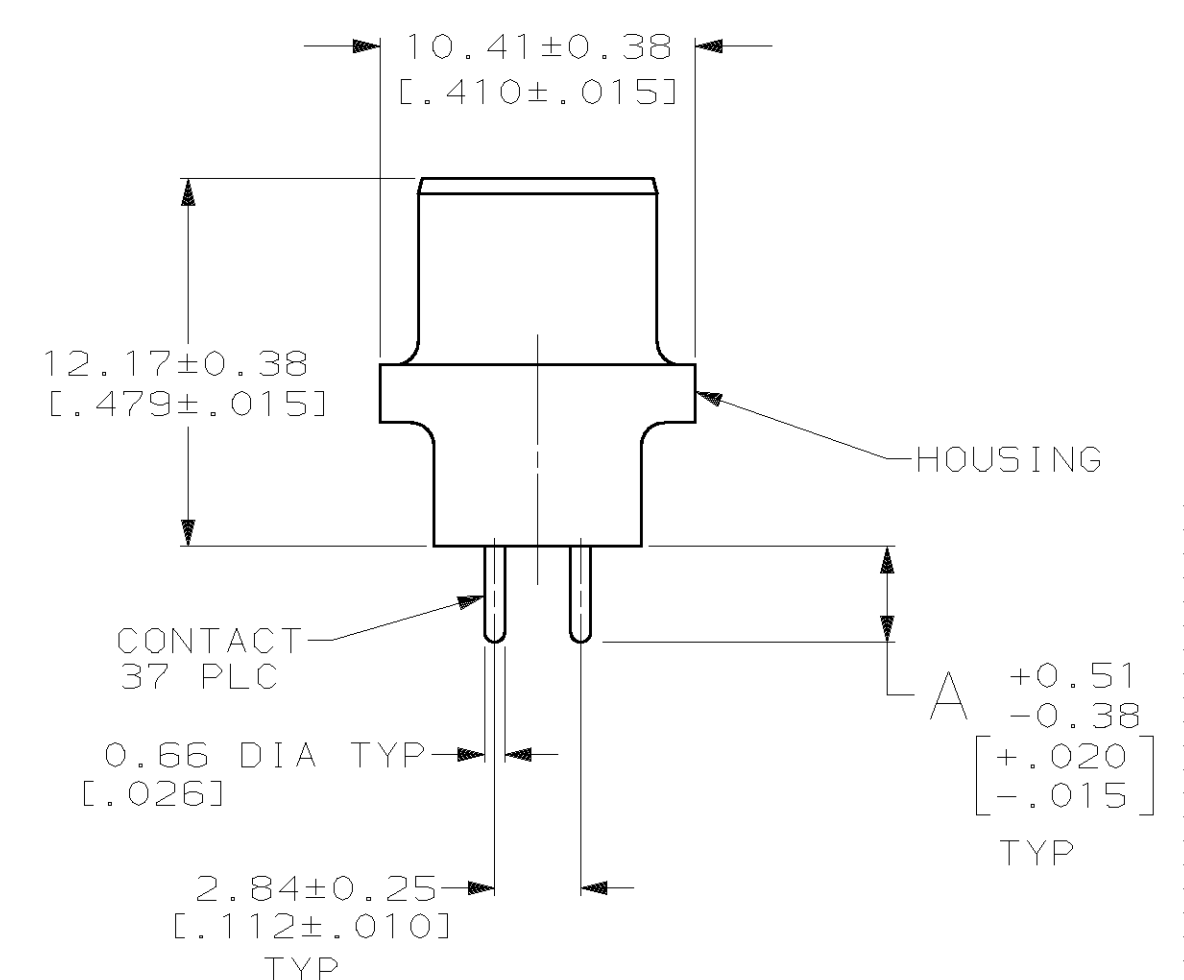
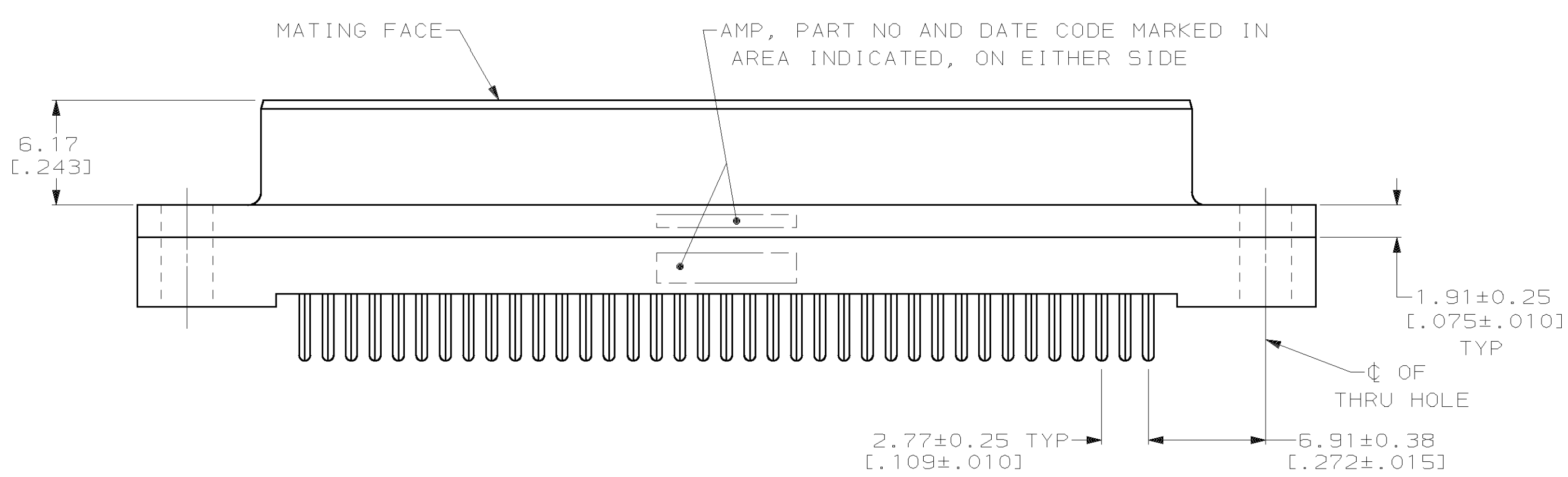


THIS DRAWING IS UNPUBLISHED. RELEASED FOR PUBLICATION .19
 © COPYRIGHT 19 BY AMP INCORPORATED. ALL INTERNATIONAL RIGHTS RESERVED.

LOC		DIST		P		F		ZONE		LTR		REVISIONS		DATE	APPD
GP	00										H	REVISED PER EC 0513-0017-03	12MAY03	JG	



- ① HOUSING: BLACK POLYESTER, UL 94V-0 RATED; CONTACTS: PHOSPHOR BRONZE PER QQ-B-750.
- ② GOLD PLATING PER MIL-G-45204, TIN PLATING PER MIL-T-10727, NICKEL PLATING PER QQ-N-290.
- ③ GOLD FLASH FOR A LENGTH OF 2.54 [.100] MIN FROM MATING END, 2.54µm [.000100] MIN TIN OR TIN-LEAD FOR A LENGTH OF DIMENSION A FROM OPPOSITE END, ALL OVER 1.27µm [.000050] MIN NICKEL.
- ④ 0.76µm [.000030] MIN GOLD FOR A LENGTH OF 2.54 [.100] MIN FROM MATING END, 2.54µm [.000100] MIN TIN OR TIN-LEAD FOR A LENGTH OF DIMENSION A FROM OPPOSITE END, ALL OVER 1.27µm [.000050] MIN NICKEL.



	A	CONTACT FINISH	PART NO
OBSOLETE	6.35 [.250]	④	207829-8
OBSOLETE	6.35 [.250]	③	207829-7
OBSOLETE	4.32 [.170]	④	207829-6
OBSOLETE	4.32 [.170]	③	207829-5
	3.18 [.125]	④	207829-4
OBSOLETE	3.18 [.125]	③	207829-3
OBSOLETE	3.56 [.140]	④	207829-2

DO NOT SCALE PRINT. UNLESS SPECIFIED DIMENSIONS IN mm [INCHES] TOLERANCES ON: 2 PLC DEC ± 0.13 [.005] 3 PLC DEC ± - ANGLES ± 2°	DR 11-15-89 J McCLINTON	AMP INCORPORATED Harrisburg, Pa. 17105	
	CHK 2-1-90 R.STONE		
MATERIAL	APPD 2-2-90 S.SCHIEFERLY	SIZE C	CAGE CODE 00779
FINISH ② CONTACT: SEE TABLE	APPD 2-2-90 C.ROHDE	DRAWING NO 207829	SHEET 1 OF 1
	PRODUCT SPEC 108-40025	SCALE 4:1	
	APPLICATION SPEC -		
	WEIGHT -		