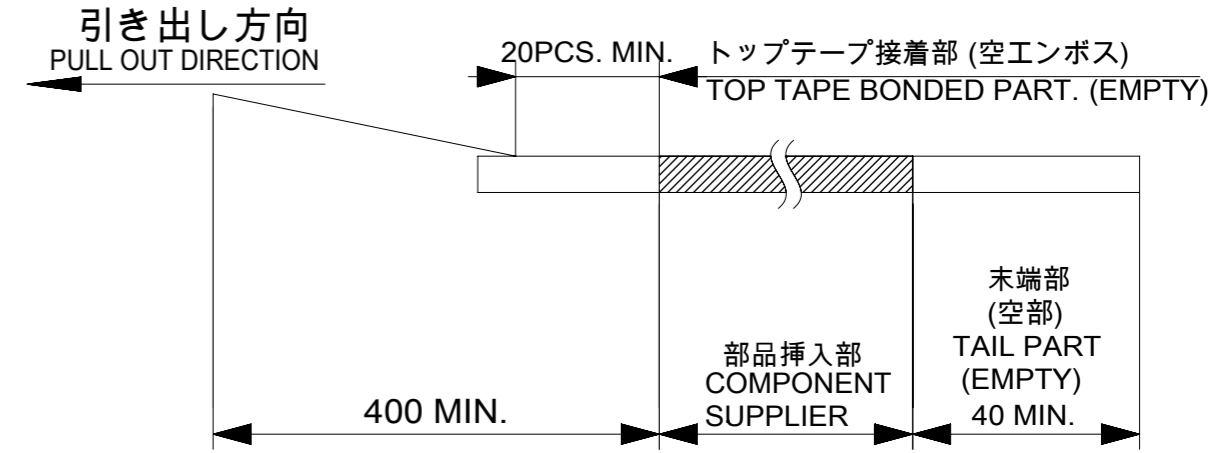
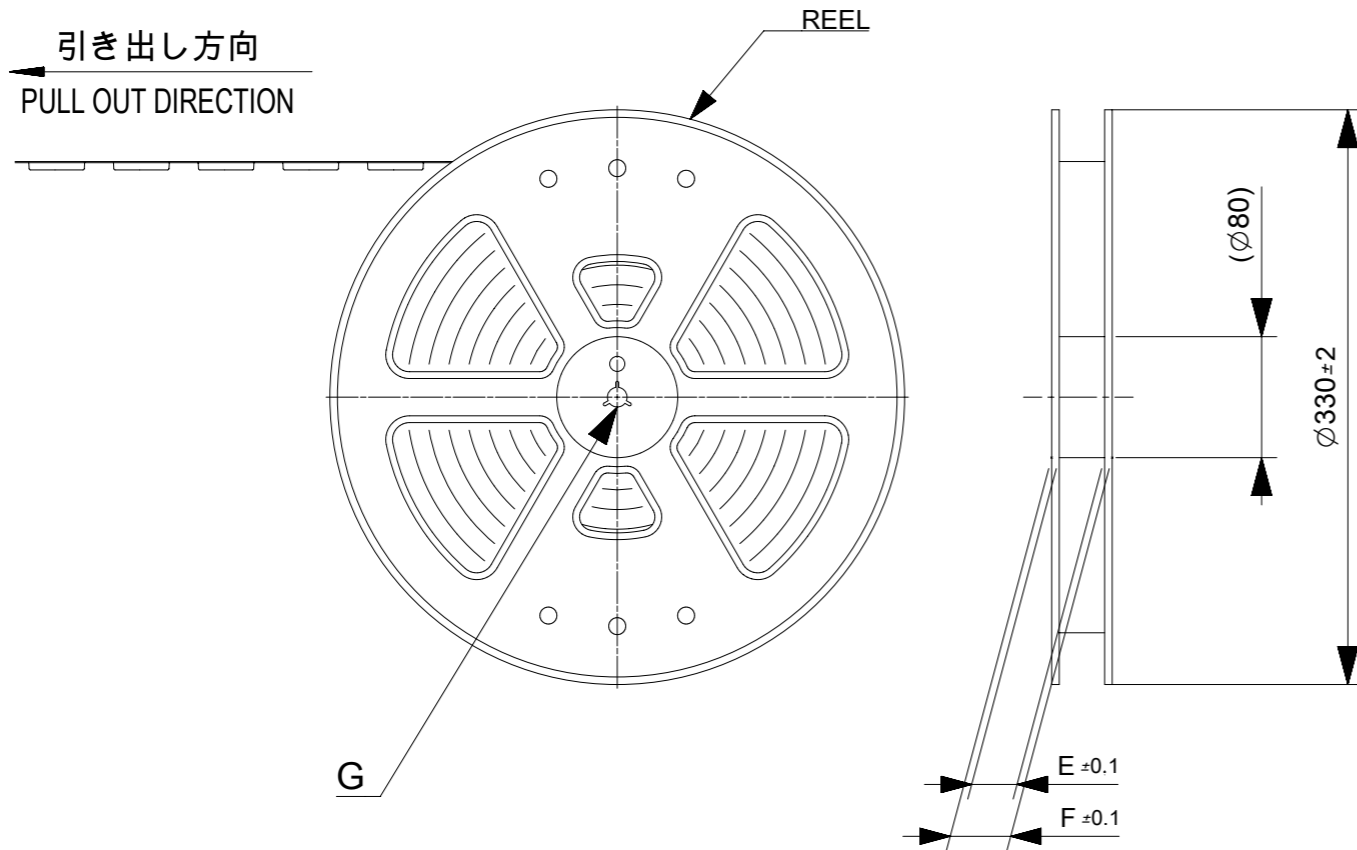
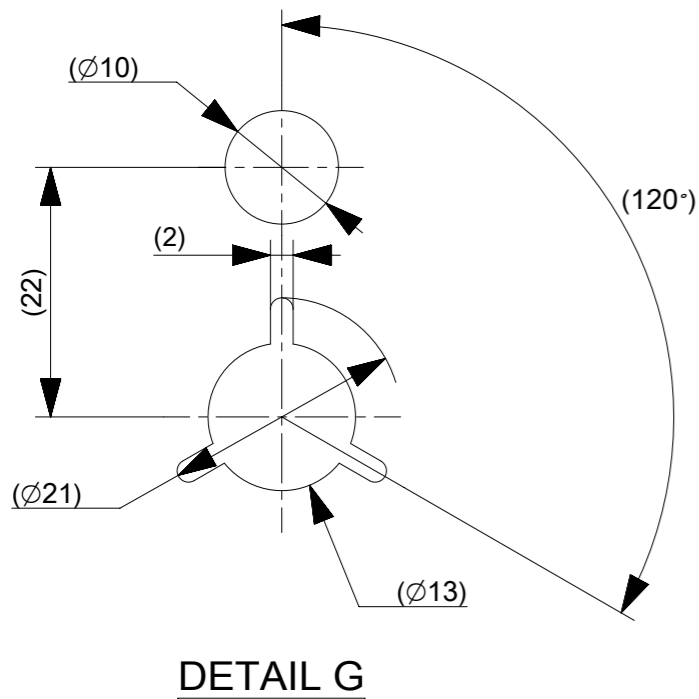


NOTES

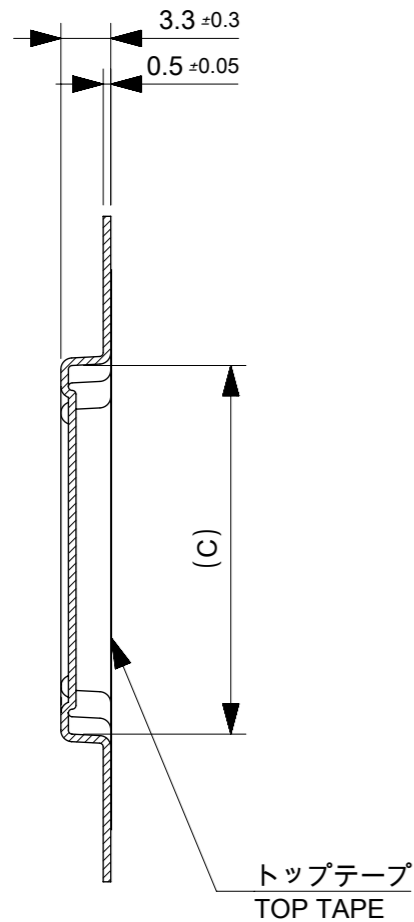
1. 梱包数量 : 1500個 / リール
NUMBER OF CONNECTORS : 1500 PCS/REEL.
2. リードテープ長さ LEAD TAPE LENGTH.



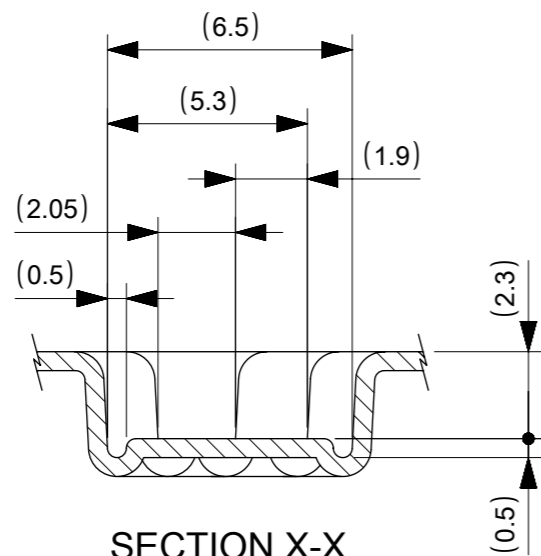
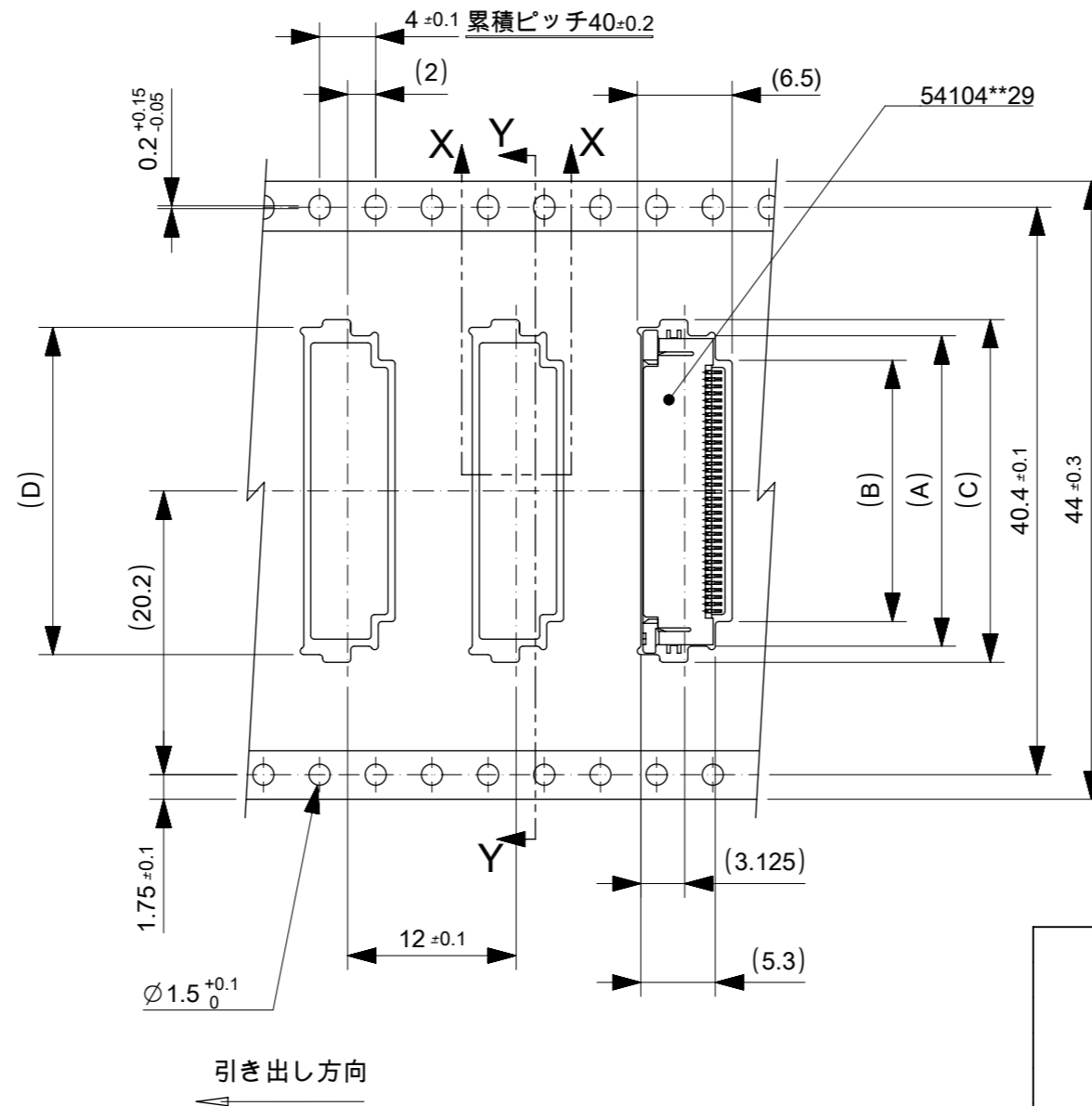
3. 材料 (MATERIAL)
 キャリアテープ (CARRIER TAPE) : ポリプロピレン (POLYPROPYLENE)
 トップテープ (TOP TAPE) : PET, PE, PEF
 リール (REEL) : ポリスチレン (POLYSTYLENE)
4. 本製品は54104**96 のターミナル部分金メッキ品である。



THIS DRAWING CONTAINS INFORMATION THAT IS PROPRIETARY TO MOLEX ELECTRONIC TECHNOLOGIES, LLC AND SHOULD NOT BE USED WITHOUT WRITTEN PERMISSION																	
EC NO: 103444 DRWN: NVELUSAMY CHK'D: TKUSUHARA01 APPR: TKUSUHARA01	2016/02/16 2016/05/24 2016/05/24		GENERAL TOLERANCES (UNLESS SPECIFIED) ANGULAR TOL ± °		DIMENSION UNITS: mm SCALE: 1:1												
	4 PLACES ±		3 PLACES ±		DRWN BY: NVELUSAMY DATE: 2016/02/16												
	2 PLACES ±		1 PLACE ±		CHK'D BY: YKOBAYASHI02 DATE:		EMBOSSSED TAPE PACKAGE FOR 54104**29 -LEAD FREE-										
	0 PLACES ±		DRAFT WHERE APPLICABLE MUST REMAIN WITHIN DIMENSIONS		APPR BY: TKUSUHARA01 DATE: 2016/05/24												
	A		REV		DRAWING SIZE: A3		THIRD ANGLE PROJECTION		PRODUCT CUSTOMER DRAWING								
	RELEASE STATUS: P1		RELEASE DATE: 2016/05/24		07:26:20		54104		SEE CHART		GENERAL						
9		8		7		6		5		4		3		2		1	
541040000		PSD		000		1 OF 2											



SECTION Y-Y



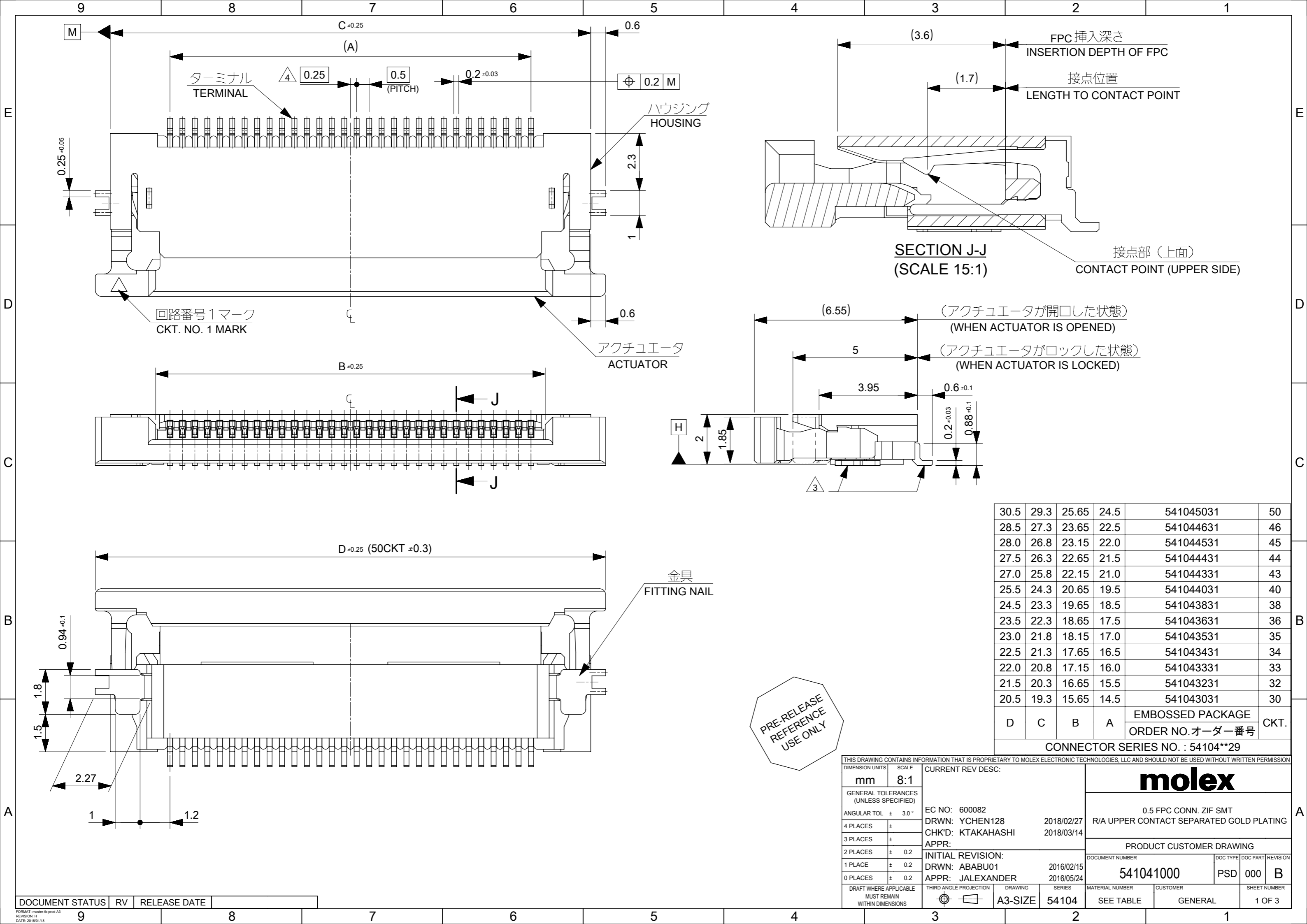
SECTION X-X
(SCALE 5:1)

44	49.4	45.4	30.8	31.9	26.1	29.6	541045031	50		
			28.8	29.9	24.1	27.6	541044631	46		
			28.3	29.4	23.6	27.1	541044531	45		
			27.8	28.9	23.1	26.6	541044431	44		
			27.3	28.4	22.6	26.1	541044331	43		
			25.8	26.9	21.1	24.6	541044031	40		
			24.8	25.9	20.1	23.6	541043831	38		
			23.8	24.9	19.1	22.6	541043631	36		
			23.3	24.4	18.6	22.1	541043531	35		
			22.8	23.9	18.1	21.6	541043431	34		
			22.3	23.4	17.6	21.1	541043331	33		
			21.8	22.9	17.1	20.6	541043231	32		
			20.8	21.9	16.1	19.6	541043031	30		
キャリアテープ幅 CARRIER TAPE WIDTH			F	E	D	C	B	A	MATERIAL NO.	CKT.

THIS DRAWING CONTAINS INFORMATION THAT IS PROPRIETARY TO MOLEX ELECTRONIC TECHNOLOGIES, LLC AND SHOULD NOT BE USED WITHOUT WRITTEN PERMISSION

EC NO: 103444 DRWN: NVELUSAMY CHK'D: TKUSUHARA01 APPR: TKUSUHARA01	2016/02/16	GENERAL TOLERANCES (UNLESS SPECIFIED)	DIMENSION UNITS	SCALE
	2016/05/24	ANGULAR TOL ± °	mm	2:1
	2016/05/24	4 PLACES ±	DRWN BY	DATE
		3 PLACES ±	NVELUSAMY	2016/02/16
		2 PLACES ±	CHK'D BY	DATE
		1 PLACE ±	YKOBAYASHI02	
	0 PLACES ±	APPR BY	DATE	
		TKUSUHARA01	2016/05/24	
DRAFT WHERE APPLICABLE MUST REMAIN WITHIN DIMENSIONS		DRAWING SIZE	THIRD ANGLE PROJECTION	
A	REV	A3		

molex [®]			
EMBOSSED TAPE PACKAGE FOR 54104**29 -LEAD FREE-			
PRODUCT CUSTOMER DRAWING			
SERIES	MATERIAL NUMBER	CUSTOMER	
54104	SEE CHART	GENERAL	
DOCUMENT NUMBER		DOC TYPE	DOC PART
541040000		PSD	000
		DOC PART	SHEET NUMBER
		000	2 OF 2

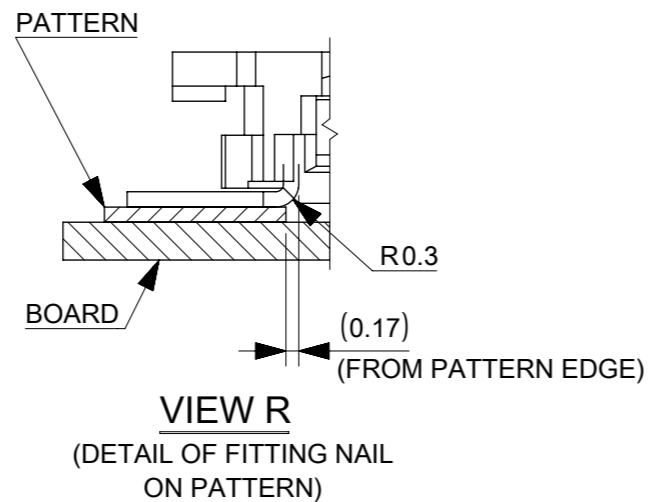
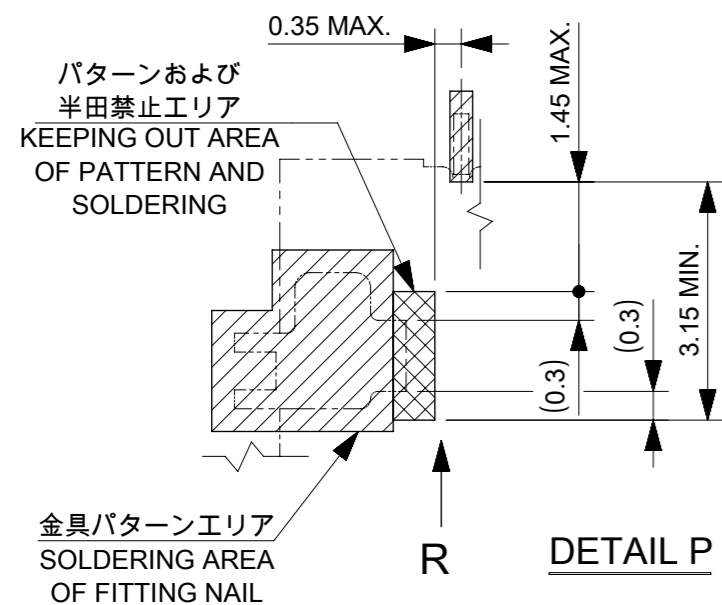
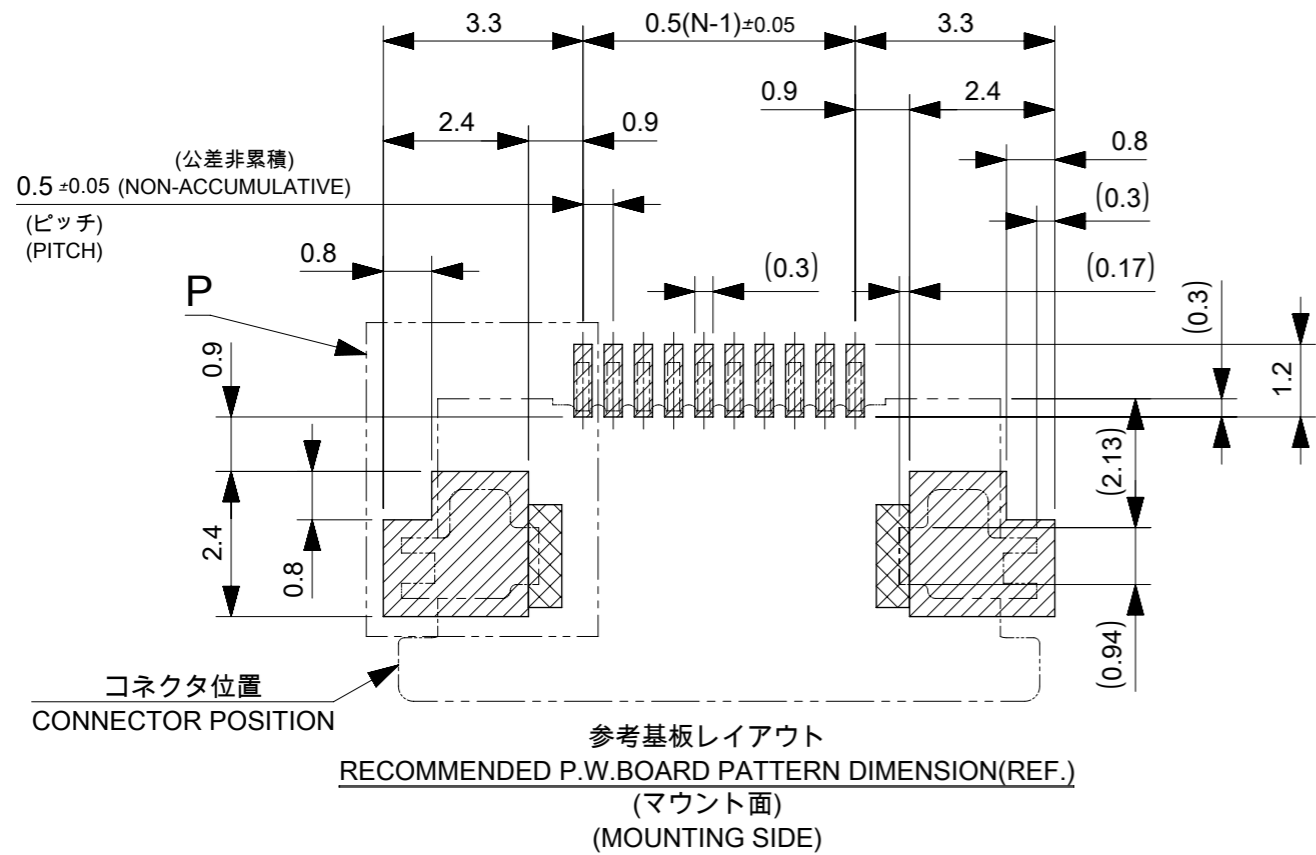


30.5	29.3	25.65	24.5	541045031	50
28.5	27.3	23.65	22.5	541044631	46
28.0	26.8	23.15	22.0	541044531	45
27.5	26.3	22.65	21.5	541044431	44
27.0	25.8	22.15	21.0	541044331	43
25.5	24.3	20.65	19.5	541044031	40
24.5	23.3	19.65	18.5	541043831	38
23.5	22.3	18.65	17.5	541043631	36
23.0	21.8	18.15	17.0	541043531	35
22.5	21.3	17.65	16.5	541043431	34
22.0	20.8	17.15	16.0	541043331	33
21.5	20.3	16.65	15.5	541043231	32
20.5	19.3	15.65	14.5	541043031	30
D	C	B	A	EMBOSSED PACKAGE	CKT.
ORDER NO. オーダー番号					
CONNECTOR SERIES NO. : 54104**29					

PRE-RELEASE
REFERENCE
USE ONLY

THIS DRAWING CONTAINS INFORMATION THAT IS PROPRIETARY TO MOLEX ELECTRONIC TECHNOLOGIES, LLC AND SHOULD NOT BE USED WITHOUT WRITTEN PERMISSION		CURRENT REV DESC:		molex	
DIMENSION UNITS	SCALE	EC NO: 600082			
mm	8:1	DRWN: YCHEN128 2018/02/27		0.5 FPC CONN. ZIF SMT	
GENERAL TOLERANCES (UNLESS SPECIFIED)		CHK'D: KTAKAHASHI 2018/03/14		R/A UPPER CONTACT SEPARATED GOLD PLATING	
ANGULAR TOL	± 3.0°	APPR:		PRODUCT CUSTOMER DRAWING	
4 PLACES	±	INITIAL REVISION:		DOCUMENT NUMBER	
3 PLACES	±	DRWN: ABABU01 2016/02/15		541041000	
2 PLACES	± 0.2	APPR: JALEXANDER 2016/05/24		DOC TYPE	
1 PLACE	± 0.2	DRAFT WHERE APPLICABLE MUST REMAIN WITHIN DIMENSIONS		PSD	
0 PLACES	± 0.2	THIRD ANGLE PROJECTION		DOC PART	
DRAWING		SERIES		REVISION	
A3-SIZE		54104		000 B	
MATERIAL NUMBER		CUSTOMER		SHEET NUMBER	
SEE TABLE		GENERAL		1 OF 3	

DOCUMENT STATUS	RV	RELEASE DATE
-----------------	----	--------------

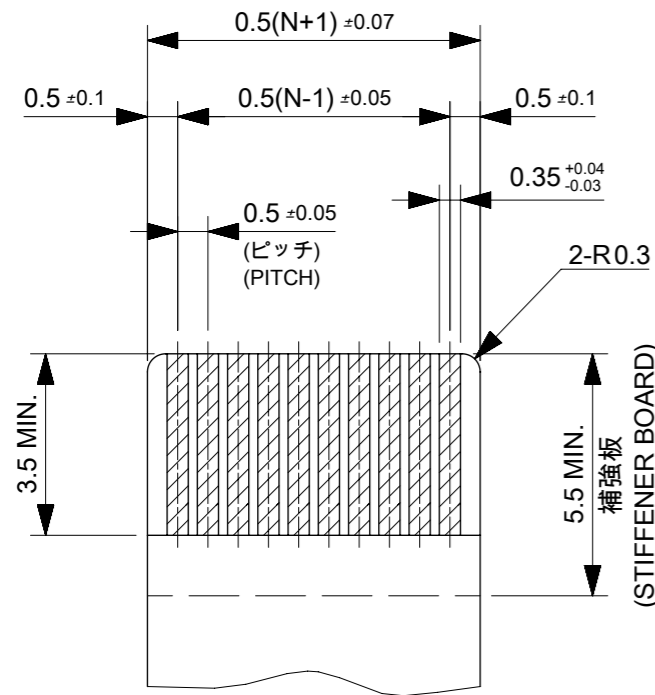


注記 NOTES

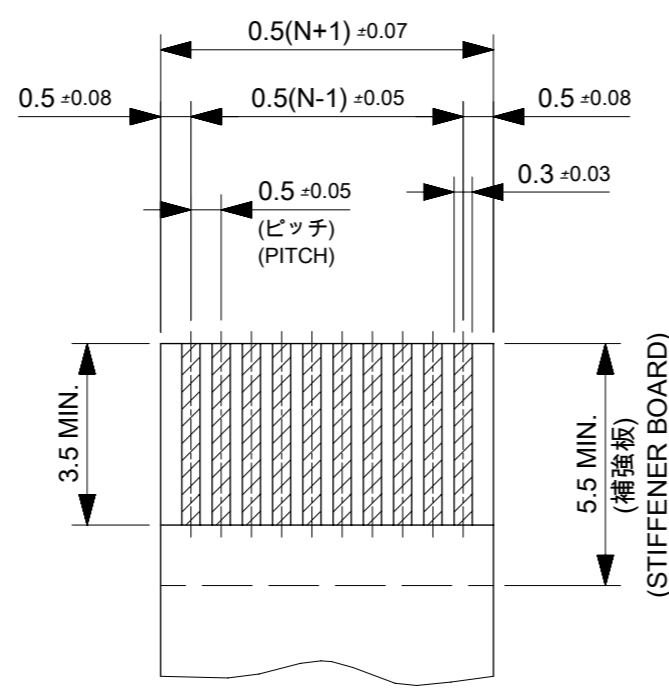
1. 使用材料 MATERIAL
 ハウジング : 46ナイロン、ガラス充填、UL94V-0、白
 HOUSING : PA46, GLASS FILLED, UL94V-0, WHITE
 アクチュエータ : ポリフェニレンサルファイド (PPS)、ガラス充填、UL94V-0、茶色
 ACTUATOR : POLYPHENYLENE SULFIDE, GLASS FILLED, UL94V-0, BROWN
 ターミナル : リン青銅(t=0.2) 金メッキ 接触部 0.1 MICROMETER MINIMUM
 テール部 0.05 MICROMETER MINIMUM
 ニッケル下地 1.0 MICROMETER MINIMUM
 TERMINAL PHOS-BRONZE GOLD-PLATING
 CONTACT PORTION : 0.1 MICROMETER MINIMUM
 TAIL PORTION : 0.05 MICROMETER MINIMUM
 NICKEL PLATING : 1.0 MICROMETER MINIMUM
 金具 : リン青銅(t=0.2) 錫メッキ 1.0~3.0 MICROMETER MINIMUM
 ニッケル下地 1.0~3.0 MICROMETER MINIMUM
 FITTING NAIL : PHOS-BRONZE TIN-PLATING 1.0~3.0 MICROMETER MINIMUM
 OVER NICKEL 1.0~3.0 MICROMETER MINIMUM
2. エンボステープ梱包時はアクチュエータがロックした状態とする。
 IN THE PACKAGE, ACTUATOR OF PART NO.54104**29 SHOULD BE LOCKED.
 ソルダーテール半田付け面のズレ量、および金具半田付け面のズレ量は
 △3 基準面 **H** に対し上方向 0.1MAXIMUM、下方向 0.15MAXIMUMとする。
 MISALIGNMENT OF SOLDER TAILS AND FITTING NAILS FROM **H**
 UPPER DIRECTION : 0.1MAXIMUM, LOWER DIRECTION : 0.15 MAXIMUM.
 △4 偶数極に適用。
 APPLY FOR EVEN CIRCUIT.
 △5 パターンはく離止め金具。
 FITTING NAIL FOR PREVENTION OF PEELING
 OF P.W.BOARD PATTERN.
6. ELV & RoHS適合品
 ELV AND RoHS COMPLIANT

PRE-RELEASE
REFERENCE
USE ONLY

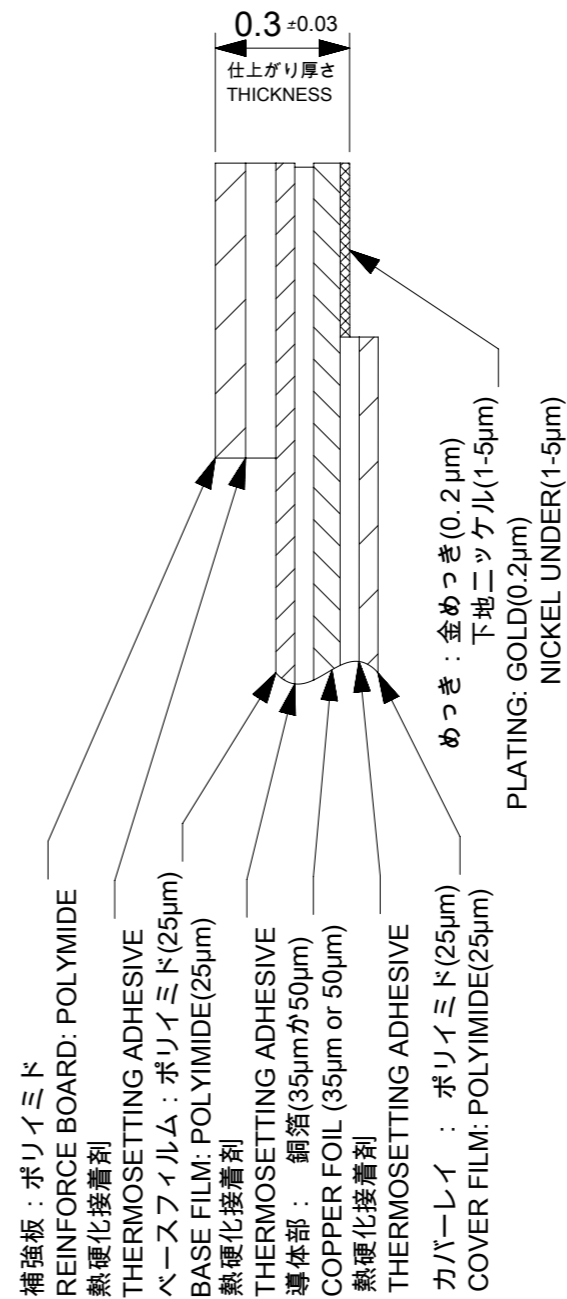
THIS DRAWING CONTAINS INFORMATION THAT IS PROPRIETARY TO MOLEX ELECTRONIC TECHNOLOGIES, LLC AND SHOULD NOT BE USED WITHOUT WRITTEN PERMISSION									
DIMENSION UNITS		SCALE		CURRENT REV DESC:				molex	
mm		8:1							
GENERAL TOLERANCES (UNLESS SPECIFIED)				EC NO: 600082				0.5 FPC CONN. ZIF SMT	
ANGULAR TOL ± 3.0°				DRWN: YCHEN128 2018/02/27				R/A UPPER CONTACT SEPARATED GOLD PLATING	
4 PLACES ±				CHK'D: KTAKAHASHI 2018/03/14				PRODUCT CUSTOMER DRAWING	
3 PLACES ±				APPR:				DOCUMENT NUMBER	
2 PLACES ± 0.2				INITIAL REVISION:				541041000	
1 PLACE ± 0.2				DRWN: ABABU01 2016/02/15				DOC TYPE	
0 PLACES ± 0.2				APPR: JALEXANDER 2016/05/24				PSD	
DRAFT WHERE APPLICABLE MUST REMAIN WITHIN DIMENSIONS				THIRD ANGLE PROJECTION		DRAWING		SHEET NUMBER	
				A3-SIZE		SERIES		2 OF 3	
				54104		MATERIAL NUMBER		GENERAL	
				SEE SHEET 1		CUSTOMER			



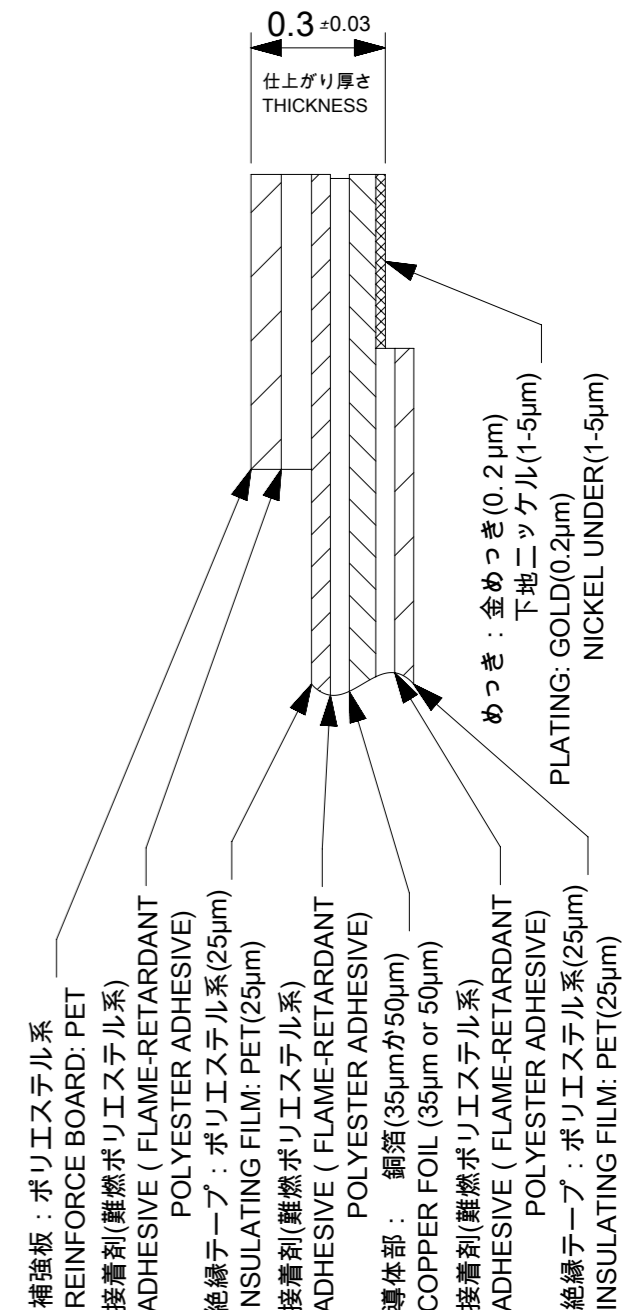
適合金めっき FPC 推奨寸法
 APPLICABLE FPC OF GOLD PLATING
 RECOMMENDED DIMENSION
 (仕上がり厚さ : 0.3±0.03)
 (THICKNESS : 0.3±0.03)



適合金めっき FFC 推奨寸法
 APPLICABLE FFC OF GOLD PLATING
 RECOMMENDED DIMENSION
 (仕上がり厚さ : 0.3±0.03)
 (THICKNESS : 0.3±0.03)



FPC構成推奨仕様
 STRUCTURE OF FPC



FFC構成推奨仕様
 STRUCTURE OF FFC

FPC/FFCについて:
 打ち抜き方向は導体側から補強板側を推奨いたします。
 導体部は軟銅箔 35MICROMETER または 50MICROMETERを推奨いたします。
 RECOMMENDED PUNCHER DIRECTION
 FROM CONDUCTOR SIDE TO STIFFENER BOARD SIDE.
 RECOMMENDED CONDUCTOR SPEC
 THICKNESS OF SOFT COPPER FOIL
 : 35MICROMETERS OR 50MICROMETERS
 FPCについて:
 補強フィルム材質はポリイミドを推奨いたします。
 接着剤は熱硬化接着剤を推奨いたします。
 RECOMMENDED MATERIAL
 STIFFENER FILM : POLYIMIDE
 BONDING AGENT : THERMOSETTING BONDING AGENT

PRE-RELEASE
 REFERENCE
 USE ONLY

THIS DRAWING CONTAINS INFORMATION THAT IS PROPRIETARY TO MOLEX ELECTRONIC TECHNOLOGIES, LLC AND SHOULD NOT BE USED WITHOUT WRITTEN PERMISSION		CURRENT REV DESC:		molex		
DIMENSION UNITS	SCALE					
mm	8:1			PRODUCT CUSTOMER DRAWING		
GENERAL TOLERANCES (UNLESS SPECIFIED)		EC NO: 600082		DOCUMENT NUMBER		
ANGULAR TOL	± 3.0°	DRWN: YCHEN128 2018/02/27		541041000		
4 PLACES	±	CHK'D: KTAKAHASHI 2018/03/14		DOC TYPE		
3 PLACES	±	APPR:		PSD		
2 PLACES	± 0.2	INITIAL REVISION:		DOC PART		
1 PLACE	± 0.2	DRWN: ABABU01 2016/02/15		000		
0 PLACES	± 0.2	APPR: JALEXANDER 2016/05/24		REVISION		
DRAFT WHERE APPLICABLE MUST REMAIN WITHIN DIMENSIONS		THIRD ANGLE PROJECTION	DRAWING	SERIES	MATERIAL NUMBER	CUSTOMER
			A3-SIZE	54104	SEE SHEET 1	GENERAL
				SHEET NUMBER		
				3 OF 3		

DOCUMENT STATUS	RV	RELEASE DATE
-----------------	----	--------------