



Accessories - Monitoring relays

- Powermodules
- Probes
- Base load component
- Front cover for GAMMA series
- Mounting plate



Powermodules - TR series and switching power supply - SNT series

Technical Data

1. Function

Plug-in power modul for transforming the supply voltage of TELE monitoring relays series GAMMA and TREND to internal operating voltage.

2. Mechanische Ausführung

Sealed self-extinguishing plastic housing. IP-rating IP40 (if mounted). Installation by plugging into the side mounting whole of the monitoring relay.

3. Electrical data and types

Galvanic separated transformer module between input and output circuit.

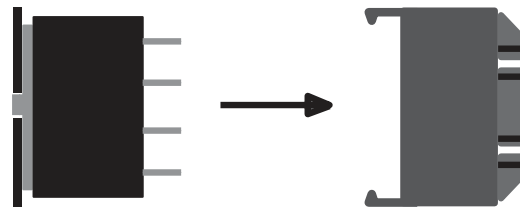
Supply voltage: see table
 Tolerance: see table
 Rated frequency: 50/60Hz
 Duration of operation: 100%

4. Ambient conditions

Ambient temperature: -25 to +55°C
 Storage temperature: -25 to +70°C
 Transport temperature: -25 to +70°C
 Relative humidity: 15% to 85%

5. Mounting

For mounting the module first the protective cup has to be removed. The module than can be concisely plugged into the mounting whole of the TELE monitoring relay.

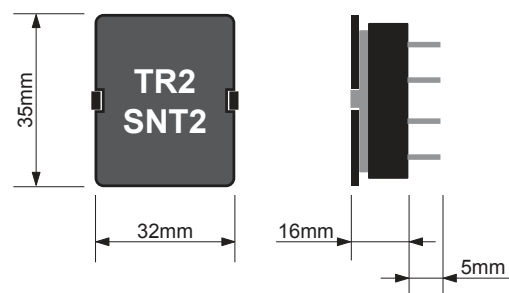


Nominal voltage	Type	P _{in}	P _{out}	Design	Tolerance
12V AC	TR2 - 12V AC	2VA	0.5VA	A	10,2 - 13,2V
	TR3 - 12V AC	4VA	1.5VA	B	10,2 - 13,2V
24V AC	TR2 - 24V AC	2VA	0.5VA	A	20,2 - 26,4V
	TR3 - 24V AC	4VA	1.5VA	B	20,4 - 26,4V
24V DC	SNT2 - 24V DC			A	20,4 - 26,4V
42V AC	TR2 - 42V AC	2VA	0.5VA	A	36 - 46V
	TR3 - 42V AC	4VA	1.5VA	B	36 - 46V
48V AC	TR2 - 48V AC	2VA	0.5VA	A	41 - 53V
	TR3 - 48V AC	4VA	1.5VA	B	41 - 53V
110V AC	TR2 - 110V AC	2VA	0.5VA	A	94 - 121V
	TR3 - 110V AC	4VA	1.5VA	B	94 - 121V
127V AC	TR2 - 127V AC	2VA	0.5VA	A	108 - 140V
	TR3 - 127V AC	4VA	1.5VA	B	108 - 140V
230V AC	TR2 - 230V AC	2VA	0.5VA	A	195 - 264V
	TR3 - 230V AC	4VA	1.5VA	B	184 - 264V
400V AC	TR2 - 400V AC	2VA	0.5VA	A	340 - 456V
	TR3 - 400V AC	4VA	1.5VA	B	323-456V
440V AC	TR3 - 440V AC	4VA	1.5VA	B	374 - 484V
500V AC*	TR3 - 500V AC	4VA	1.5VA	B	425 - 550V

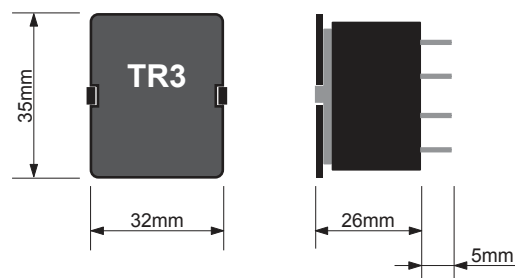
* Only G4PM!

6. Dimensions

Design A - type TR2 or SNT2



Design B - type TR3



Probes - SK series

Technical data

1. Functions

Probe for monitoring level of conductive liquids.

2. Mechanical design

Stainless steel probe (V4A No.: 4571), PVC covered (except approx. 15mm from the end), IP rating IP44.

3. Electrical data

Measuring voltage: max. 24V AC

4. Ambient conditions

Ambient temperature

SK1: 0 to +60°C

SK2 and SK3: 0 to +90°C

Storage temperature: -25 to +90°C

Transport temperature: -25 to +90°C

Relative humidity: 15% to 85%

5. Mounting

Type SK1:

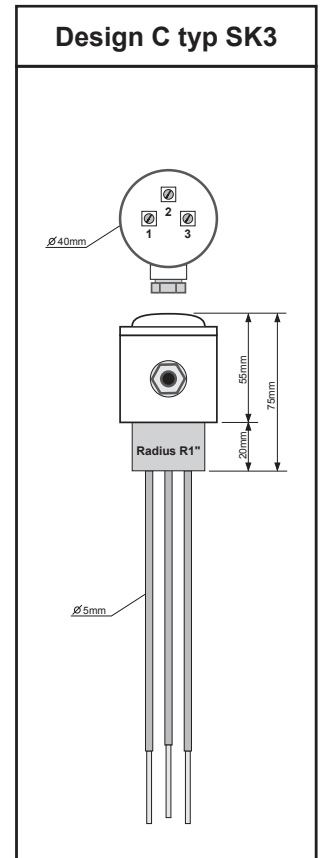
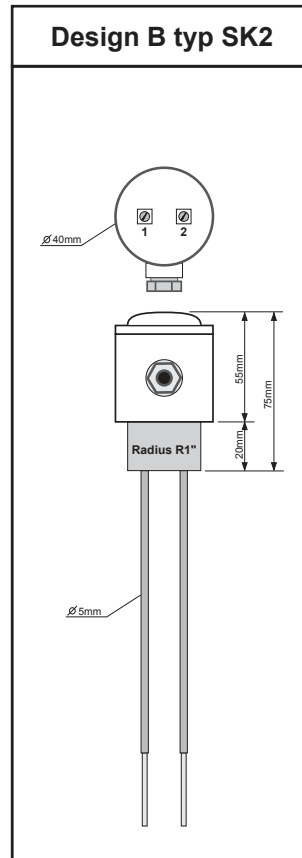
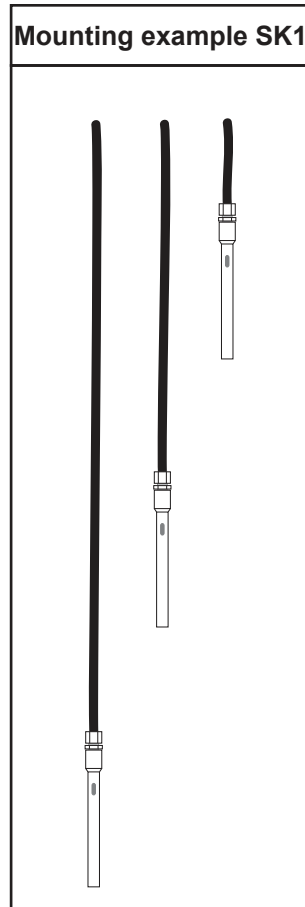
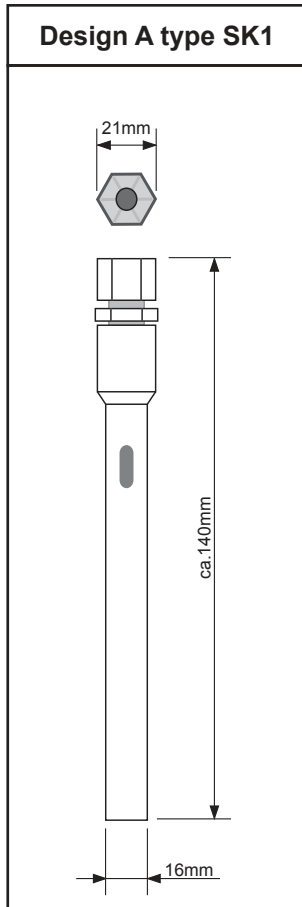
The SK1 is designed for being duck completely under water. It is fixed at the cable end and fixed at the depending level.

Type SK2 and SK3:

The SK2 and SK3 can be mounted on a mounting plate or directly into the top cover of the tank. The connection box has to be installed in a way that it is never covered by liquids.

6. Probe types

	2 probes (SK2)	3 probes (SK3)
Bar length 500mm	SK2 - 500	SK3 - 500
Bar length 1000mm	SK2 - 1000 o.r.	SK3 - 1000
Other bar lengths on request!		



Base load component GLE

Technical data

1. Functions

Base load element for TELE mains decoupler.

The base load element is connected parallel to electronic loads to ensure that the mains decoupler can detect the switching on of the depending circuit. After the decoupler has reconnected the circuit to the supplying power network, the base load element warms up and changes from low-impedance to high-impedance (PTC-resistor).

2. Mechanical design

Silicone covered PTC-resistor with connection wires for built-in applications.

3. Electrical data and types

PTC-resistor

Cold resistance (20°C): approx. 3.7kΩ

Hot resistance: approx. 12kΩ

Nominal temperature at 230V AC (20°C ambient temperature): approx. 70°C

4. Ambient conditions

Ambient temperature: -25 to +55°C

Storage temperature: -25 to +70°C

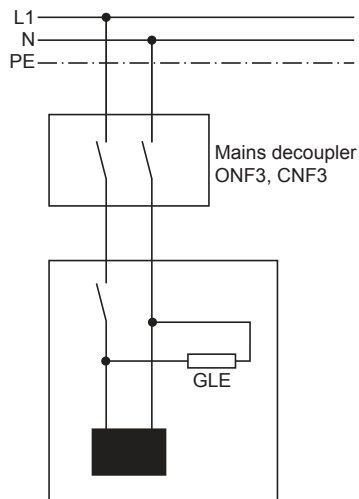
Transport temperature: -25 to +70°C

Relative humidity: 15% to 85%

5. Mounting

The base load element has to be connected parallel to the load.

6. Connection base load component GLE



Front cover GAMMA

Technical data

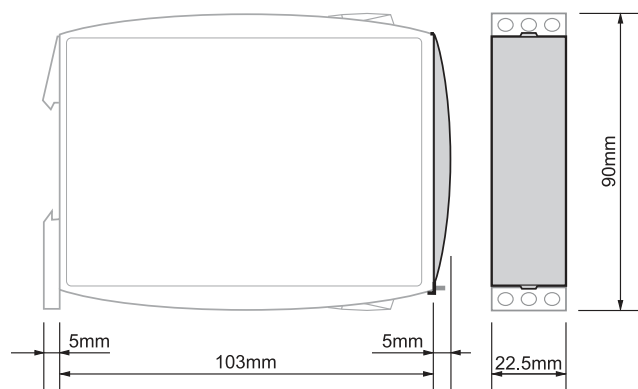
1. Function

Sealable front cover for GAMMA monitoring relays.

2. Mechanical Design

Self-extinguishing plastic cover with sealable snap.

3. Dimensions



Mounting plate MP

Technical data

1. Function

Mounting plate for fixing TELE devices on a mounting plate or wall.

2. Mechanical design

Self-extinguishing plastic, three drillholes diameter 4mm.

3. Dimensions

