



120×120×38 mm

San Ace 120WS 9WS type

General Specifications

- Material Frame: Plastic (Flammability: UL 94V-0), Impeller: Plastic (Flammability: UL 94V-1)
- Expected life See the table below. (L10 life: 90% survival rate for continuous operation in indoor free air at 60°C, rated voltage)
- Motor protection function Locked rotor burnout protection, Reverse polarity protection
For details, please refer to p. 529.
- Dielectric strength 50/60 Hz, 500 VAC, for 1 minute (between lead wire conductors and frame)
- Insulation resistance 10 MΩ or more with a 500 VDC megger (between lead wire conductors and frame)
- Sound pressure level (SPL) At 1 m away from the air inlet
- Storage temperature -30 to +70°C (Non-condensing)
- Lead wire ⊕Red ⊖Black or Blue (Sensor) Yellow
- Mass 260 g
- Ingress protection IP54

Specifications

The models listed below **have ribs and pulse sensors**. For models without ribs, append "1" to the end of model numbers.

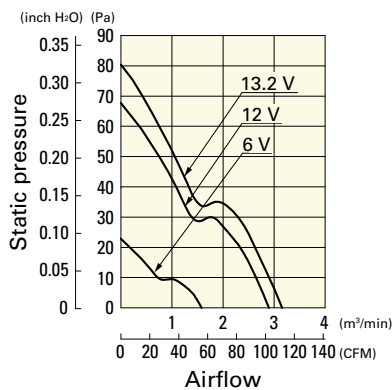
Model no.	Rated voltage [V]	Operating voltage range [V]	Rated current [A]	Rated input [W]	Rated speed [min ⁻¹]	Max. airflow [m ³ /min] [CFM]	Max. static pressure [Pa] [inchH ₂ O]	SPL [dB (A)]	Operating temperature [°C]	Expected life [h]
9WS1212H101	12	6 to 13.2	0.47	5.64	2600	2.9 102.4	67.62 0.272	39	-20 to +60	40000/60°C
9WS1212M101		6 to 13.8	0.23	2.76	1950	2.2 77.7	42.14 0.169	32	-20 to +70	
9WS1224H101	24	12 to 26.4	0.23	5.52	2600	2.9 102.4	67.62 0.272	39	-20 to +60	
9WS1224M101		12 to 27.6	0.13	3.12	1950	2.2 77.7	42.14 0.169	32	-20 to +70	
9WS1248H101	48	40.8 to 52.8	0.13	6.24	2600	2.9 102.4	67.62 0.272	39	-20 to +60	
9WS1248M101		40.8 to 55.2	0.07	3.36	1950	2.2 77.7	42.14 0.169	32	-20 to +70	

Other sensor specifications are available as options. Refer to the index (pp. 560 to 561).

Airflow - Static Pressure Characteristics

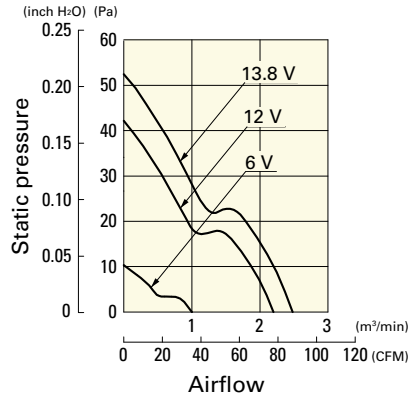
9WS1212H101 With pulse sensor

Operating voltage range



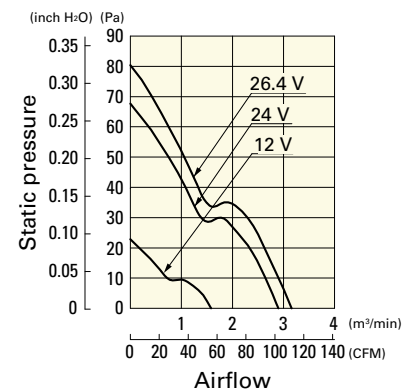
9WS1212M101 With pulse sensor

Operating voltage range



9WS1224H101 With pulse sensor

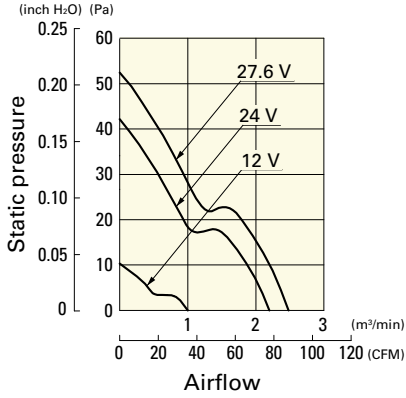
Operating voltage range



Airflow - Static Pressure Characteristics

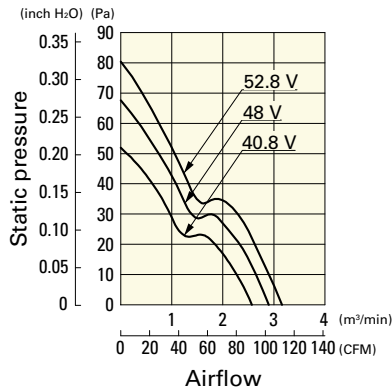
9WS1224M101 With pulse sensor

Operating voltage range



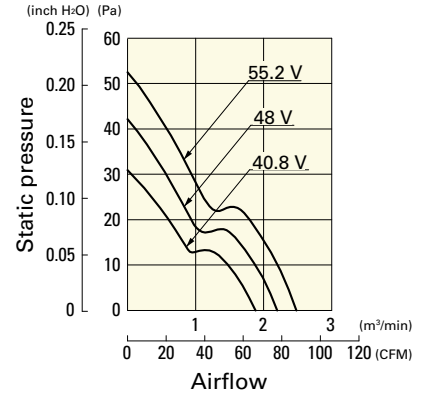
9WS1248H101 With pulse sensor

Operating voltage range

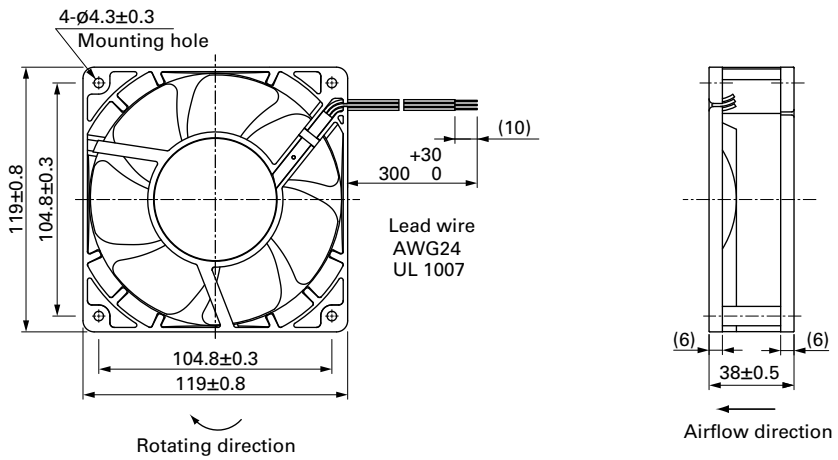


9WS1248M101 With pulse sensor

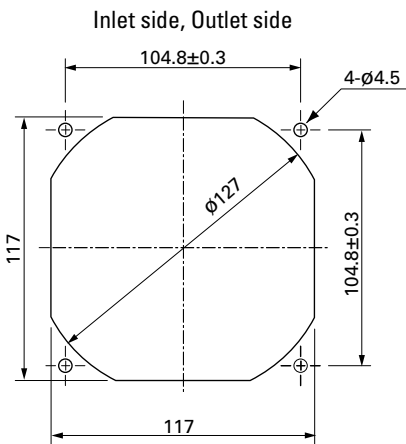
Operating voltage range



Dimensions (unit: mm) (With ribs)



Reference Dimensions of Mounting Holes and Vent Opening (unit: mm)



Options

Finger guards

page: p. 514

Model no.: 109-019C, 109-019H, 109-019E, 109-019K

Resin finger guards

page: p. 520

Model no.: 109-1000G