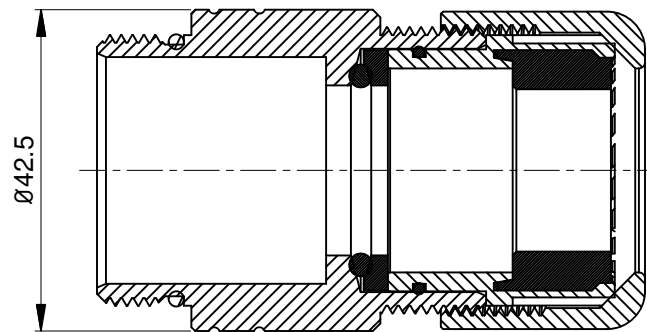
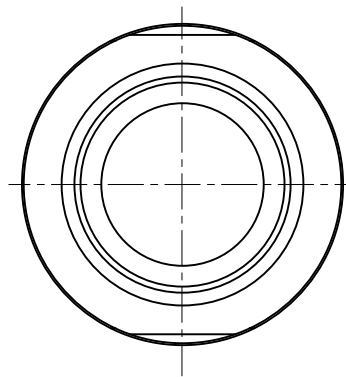
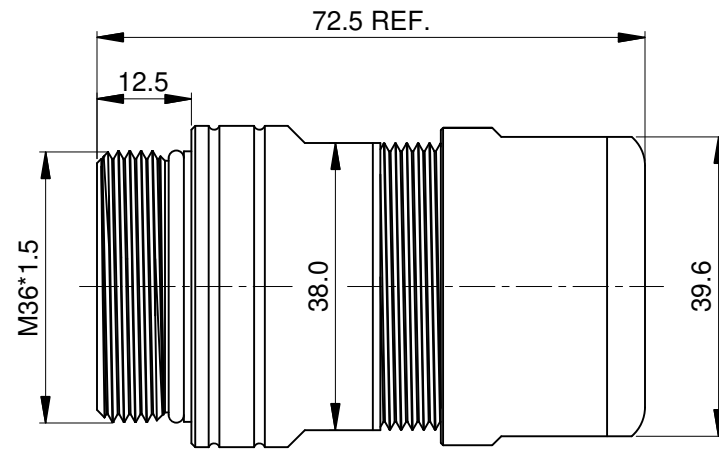
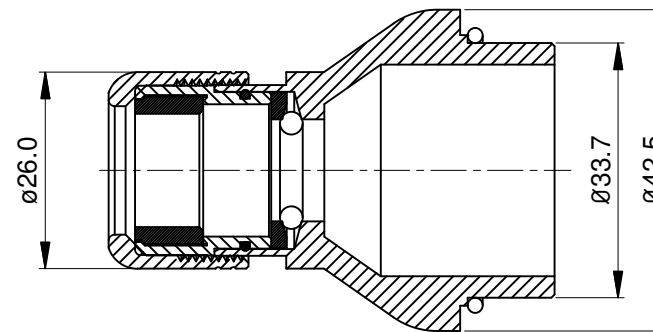
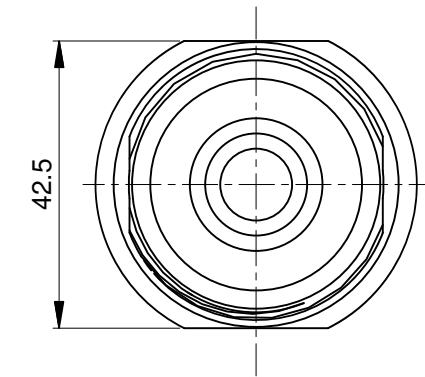
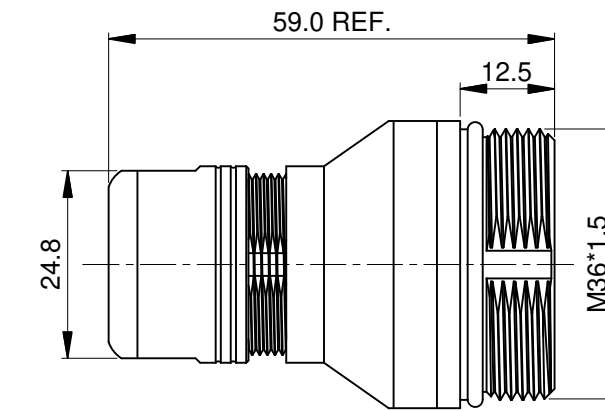


| REVISIONS |     |                        |             |       |       |
|-----------|-----|------------------------|-------------|-------|-------|
| REV       | ECO | DESCRIPTION            | DATE        | BY    | APPR  |
| B1        | -   | RELEASE NEW DWG FORMAT | May.10,2014 | Drack | Tommy |
| B2        | -   | UPDATED TABLE          | Jun.27,2015 | Drack | Tommy |



| Part Number | Cable OD Range |
|-------------|----------------|
| MC3CG-S4    | 17.0~19.0 mm   |
| MC3CG-S5    | 19.0~21.0 mm   |
| MC3CG-S6    | 21.0~23.0 mm   |
| MC3CG-S7    | 23.0~25.5 mm   |



| Part Number | Cable OD Range |
|-------------|----------------|
| MC3CG-S1    | 10.0~12.0 mm   |
| MC3CG-S2    | 12.0~14.0 mm   |
| MC3CG-S3    | 14.0~17.0 mm   |

NOTES: UNLESS OTHERWISE SPECIFIED

- MATERIAL:  
EMI SHIELDING RING: STAINLESS STEEL  
SEAL: EPDM  
HOUSING BODY: ZINC DIE CAST, NICKEL PLATED
- SPECIFICATIONS:  
2.1 DEGREE OF PROTECTION: IP67 ( MATED CONDITION )  
2.2 RoHS COMPLIANT
- ALL DIMENSIONS ARE FOR REFERENCE USE ONLY.

| QUANTITY   | SEE PART NUMBER<br>CHART<br>PART NUMBER | DESCRIPTION   | ITEM  |      |      |         |          |   |    |          |    |
|--|---|---|---|------|------|---------|----------|---|----|----------|----|
| <b>MATERIALS LIST</b>  |   |   |   |      |      |         |          |   |    |          |    |
| UNLESS OTHERWISE SPECIFIED<br>1) All dimensions are in metric (mm).<br>2) Tolerances are as follows:<br>1 PL DEC ±0.30<br>2 PL DEC ±0.15<br>3 PL DEC ±0.08<br>Fractions ±1/64<br>Angles ±1°<br>3) Note reference = |   | SIGNATURES<br>DRAWN: Drack<br>CHECKED:<br>ENGINEER:<br>APPROVAL:  | DATE<br>Jun.27,2015   |      |      |         |          |   |    |          |    |
| MATERIAL SPECIFICATIONS:   |   | <div style="text-align: center;"> <h1>Amphenol</h1> <p>Sine Systems - www.amphenol-sine.com<br/>44724 Morley Drive<br/>Clinton Township, MI 48036</p> <p><b>M40C,CORD GRIP</b></p> </div>   |   |      |      |         |          |   |    |          |    |
| PROCESS SPECIFICATIONS:  |   |   |   |      |      |         |          |   |    |          |    |
| NEXT ASSY:   |   | CUSTOMER:<br>THIS DRAWING IS SUPPLIED FOR INFORMATION ONLY. DESIGN FEATURES, SPECIFICATIONS AND PERFORMANCE DATA SHOWN HEREON ARE THE PROPERTY OF THE AMPHENOL CORPORATION. NO RIGHTS OF REPRODUCTION ARE IMPLIED. ALL DIMENSIONS ARE SUBJECT TO NORMAL MANUFACTURING VARIATIONS. | <table border="1"> <tr> <td>SIZE</td> <td>TYPE</td> <td>DWG NO.</td> <td>REVISION</td> </tr> <tr> <td>B</td> <td>C-</td> <td>MC3CG-Sx</td> <td>B2</td> </tr> </table> | SIZE | TYPE | DWG NO. | REVISION | B | C- | MC3CG-Sx | B2 |
| SIZE   | TYPE                                    | DWG NO.   | REVISION  |      |      |         |          |   |    |          |    |
| B  | C-                                      | MC3CG-Sx  | B2  |      |      |         |          |   |    |          |    |
| SCALE: NONE  |   | SHEET 1 OF 1  |   |      |      |         |          |   |    |          |    |

TITLE: M40C,CORD GRIP  
DWG NO: MC3CG-Sx  
REV: B2  
SH: 1  
OF: 1