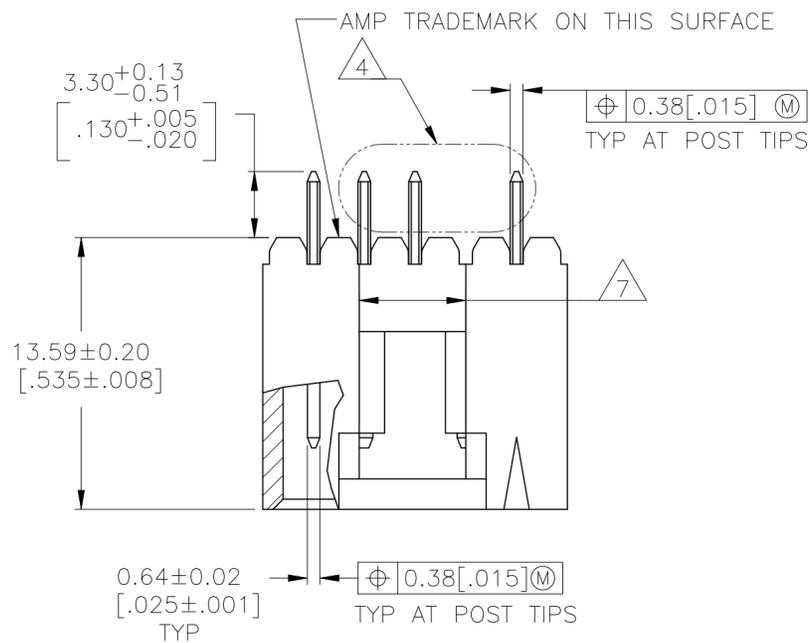
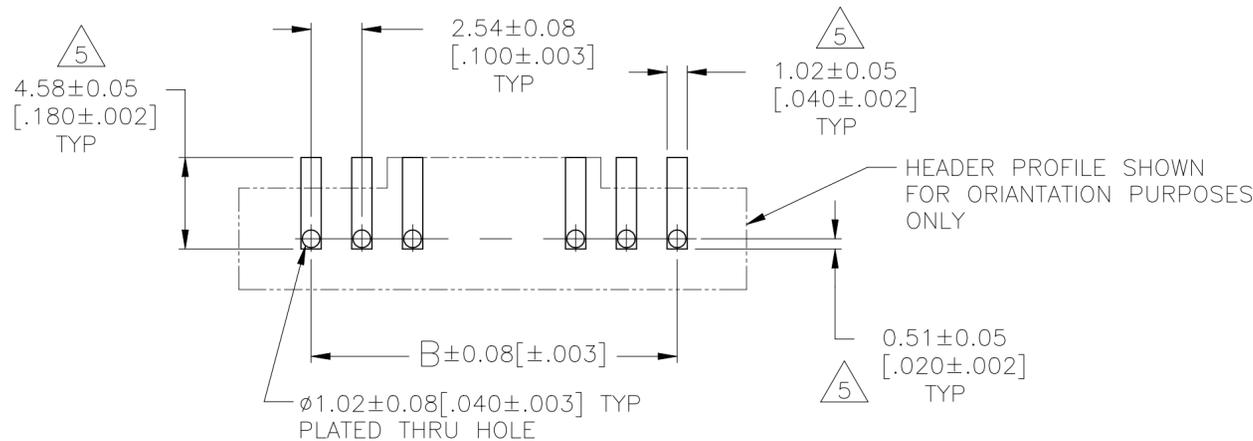
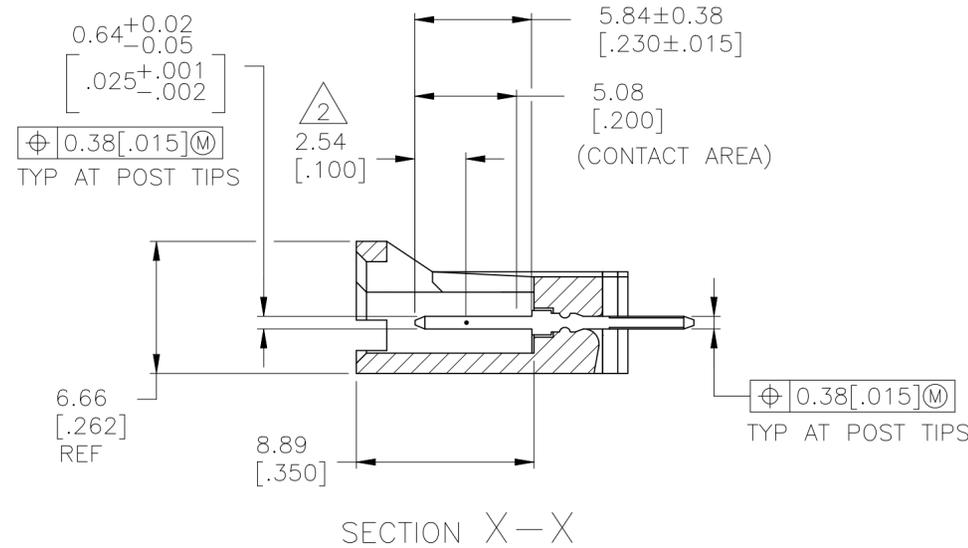
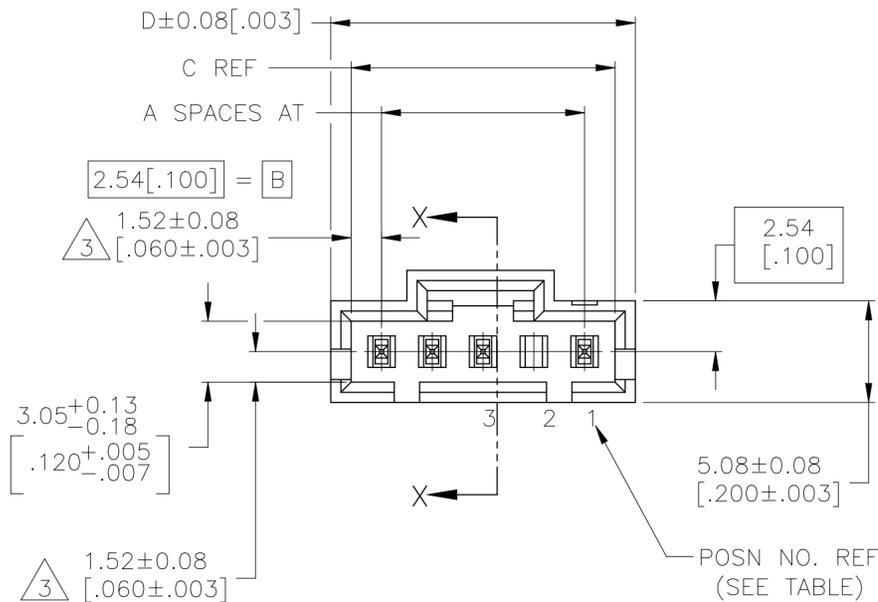


REVISIONS					
P	LTR	DESCRIPTION	DATE	DWN	APVD
D		REVISED PER ECO-20-001327	27MAY2020	SB	JO



- 1 0.00254[.000100] BRIGHT TIN OVER 0.00127[.000050] NICKEL.
- 2 POINT OF MEASUREMENT FOR PLATING THICKNESS
- 3 THE NOTED DIMENSIONS APPLY FROM THE BASIC DIMENSION LINE (NOT THE POST CENTERLINE) TO THE SURFACE INDICATED
- 4 SELECT POST TAILS FORMED TO PROVIDE CONNECTOR HOLD DOWN UNTIL SOLDERED, CONFIGURATION ACCEPTS 0.69-2.03[.027-.080] THICK PRINTED CIRCUIT BOARD (SEE DETAIL Z)
- 5 DIMENSIONS NOTED ARE FOR SOLDER STENCIL LAYOUT FOR USE WITH 1.57±0.20 [.062±.008] THICK PRINTED CIRCUIT BOARDS.
- 6 PARTS ARE PACKAGED IN GANG OF TUBES
- 7 0.25 [.010] RECESS PERMISSIBLE IN THIS AREA FOR MOLD SHUT OFF



RECOMMENDED PC BOARD MOUNTING DIMENSIONS
RECOMMENDED STENCIL THICKNESS = 0.25[.010]

2	15.11 [.595]	13.21 [.520]	10.16 [.400]	4	5	104916-1
POST NUMBER OMITTED	D	C	B	A	NO OF POSN	PART NUMBER
THIS DRAWING IS A CONTROLLED DOCUMENT.			DWN E. BRANDBERG 200CT94		TE Connectivity	
DIMENSIONS: mm [INCHES]			CHK J. GESFORD 200CT94		NAME	
TOLERANCES UNLESS OTHERWISE SPECIFIED:			APVD D. DUPLER 200CT94		PRODUCT SPEC	
0 PLC ± -			APPLICATION SPEC		HDR ASSY, AMPMODU MTE, VTL SLE ROW	
1 PLC ± -			WEIGHT		2.54[.100]CL, 0.64[.025] SQ POSTS,POLARIZED	
2 PLC ± 0.13[.005]			SCALE		WITH LATCHING & HOLD DOWN, HIGH TEMP, SELECT LOAD	
3 PLC ± -			CUSTOMER DRAWING		SIZE CAGE CODE DRAWING NO RESTRICTED TO	
4 PLC ± -			SCALE 4:1		A2 00779 C=104916	
ANGLES ± -			SHEET 1 of 1		REV D	
FINISH			POST: 1			
HIGH : LCP						
COLOR : BLACK						
POSTS : COPPER ALLOY						